

6

5

4

3

2

1

D

C

B

A

D

C

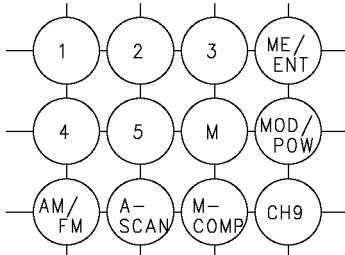
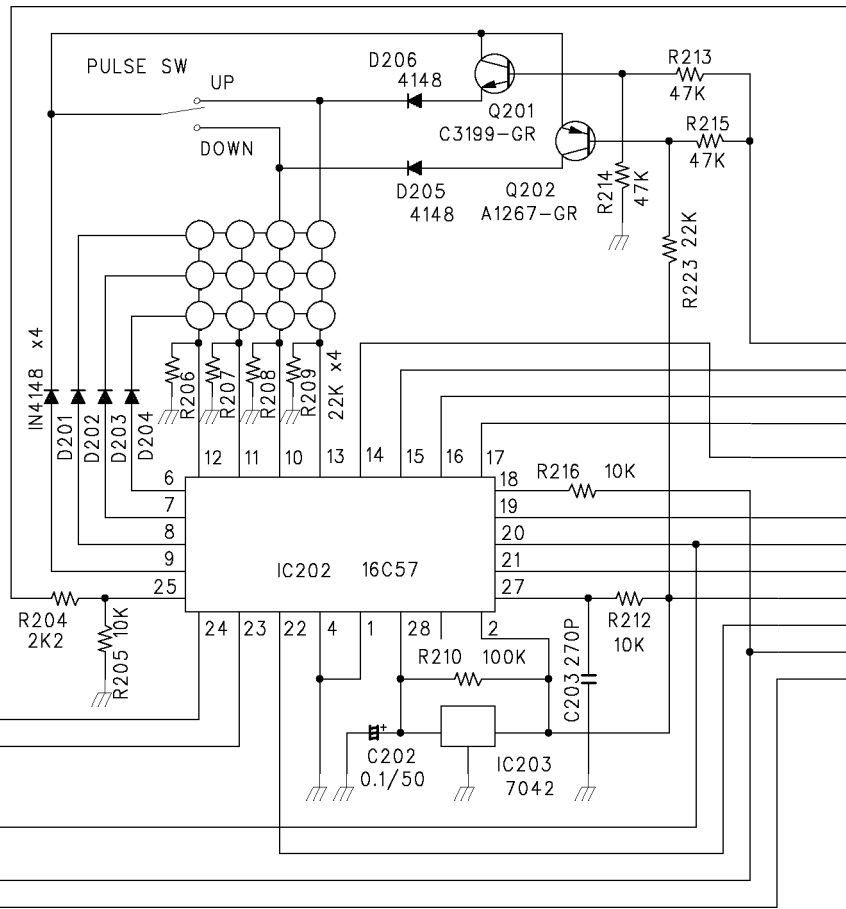
B

A

L.C.D

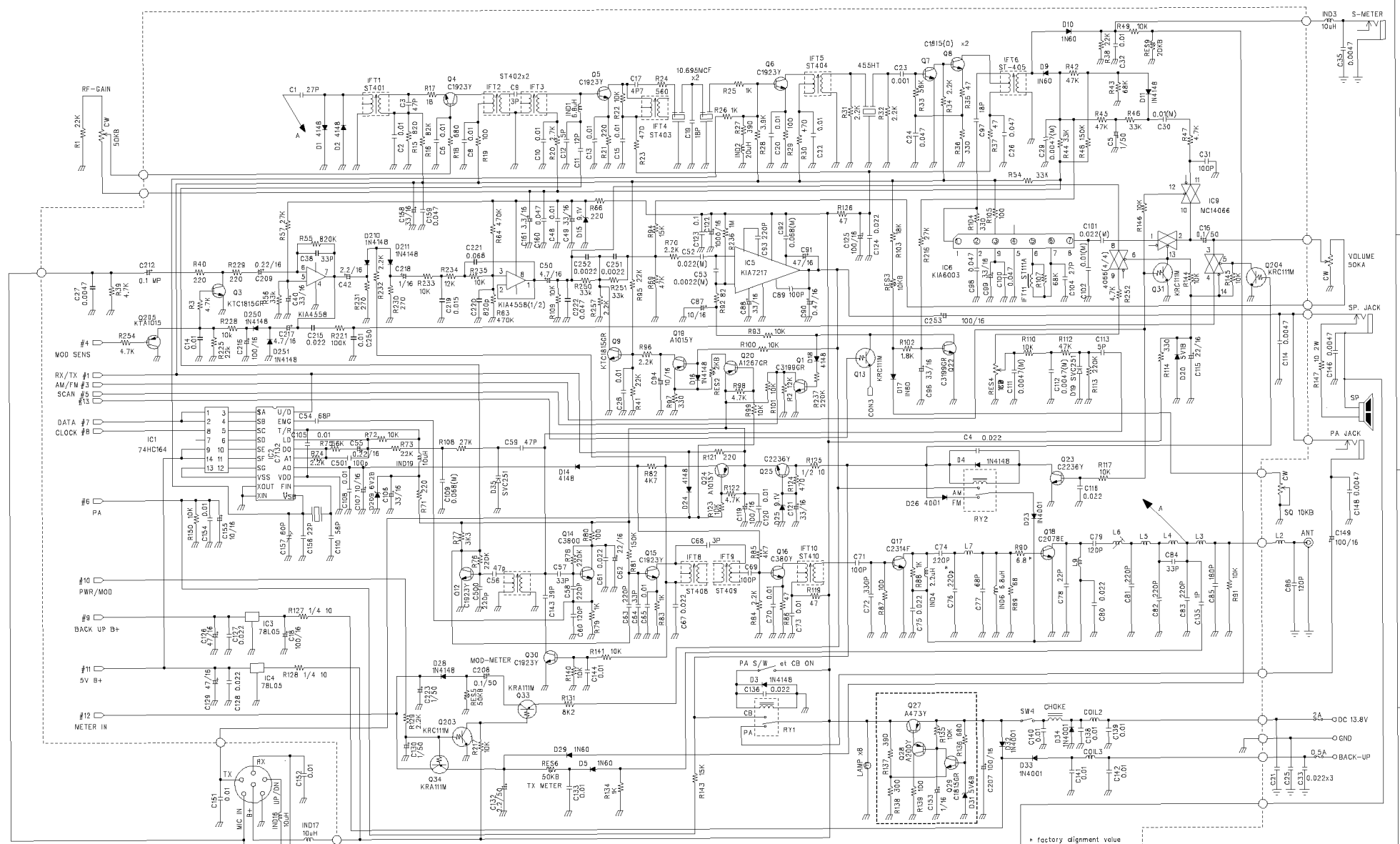
NO		1	33
PWR	MOD	2	34
	P1	3	36
	P2	4	37
	P3	5	38
	P4	6	39
	P5	7	40
1235		8	32
	P6	9	41
	P7	10	42
	P8	11	43
MUTE	COMP	12	1
FM	AM	13	2
1C	1B	14	5
1D		15	6
1E	1F	16	7
1G	1A	17	8
TX	CALL	18	3
2C	2B	19	9
2D		20	10
2E	2F	21	11
2G	2A	22	12
ME	SCAN	23	4
3G	3B	24	13
3D		25	14
3E	3F	26	15
3G	3A	27	16
	COM2	28	49
COM1		29	50

LC7583
IC201



- #1 R/T
- #2 MIC UP/DN
- #3 A/F
- #4 MIC COMP
- #5 SCAN
- #6 PA
- #7 DATA
- #8 CLOCK
- #9 BACK UP B+
- #10 P/M
- #11 5V B+
- #12 METER IN

REV.	DATE	NAME	DESCRIPTION	CHECK
▽				
▽				
▽				
UNIT	SCALS	SHEET	TITLE : FRONT PCB 93.3.05	
	3 : 4	OF		
DRW.	CHK.	APP.	MODEL NAME : AE-5000	
			DRAWING NO. :	



* factory alignment value

REV.	DATE	NAME	DESCRIPTION	CHECK
1	83.9.22			
2	83.8.27			
UNIT	SCALES	SHEET	Hauptplotline	
DRW.	CHK.	APP.	MDPELL NAME:	AE-5000
1	vo	2	Zeichnungs-Nr.:	Z105044Ra