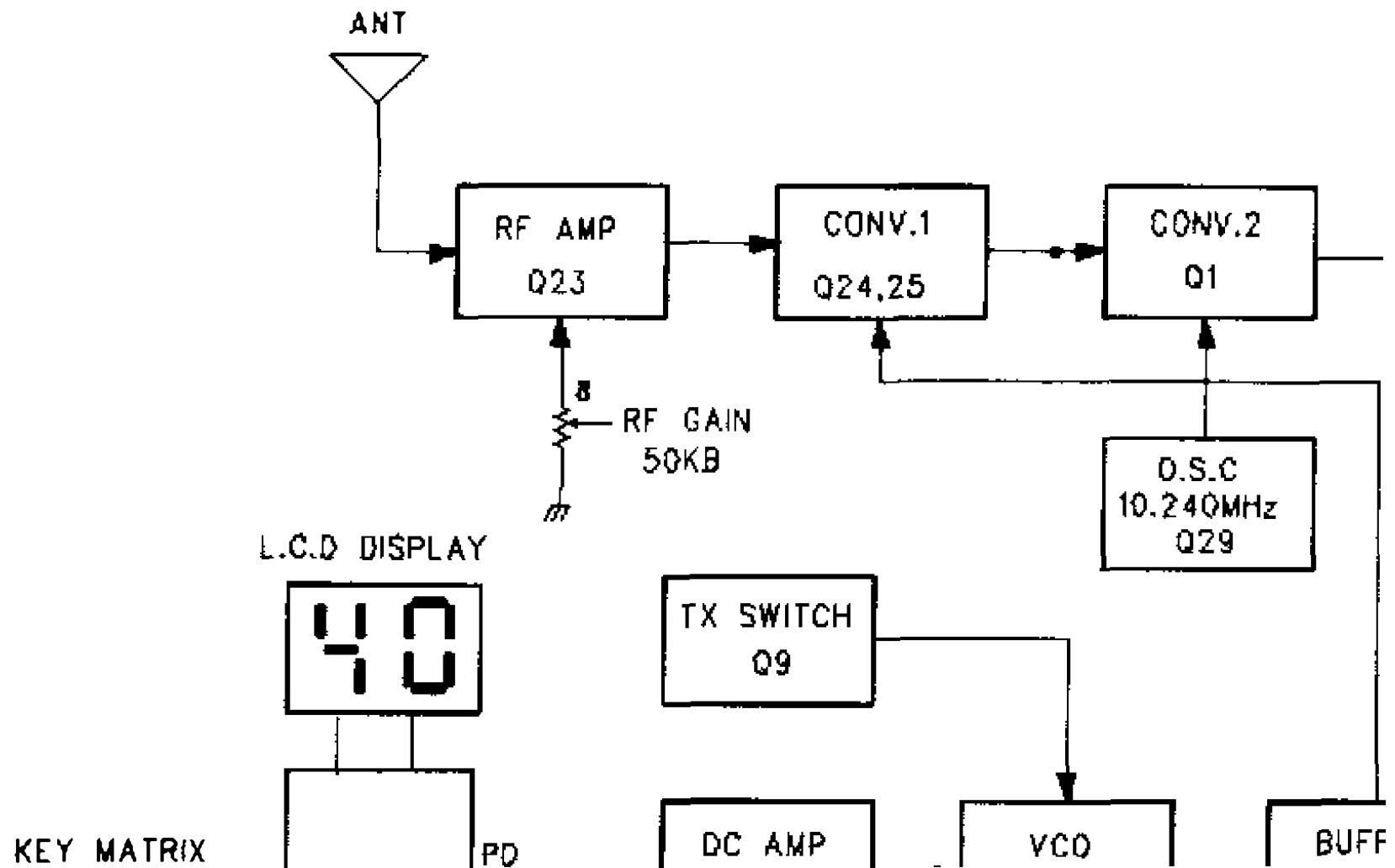
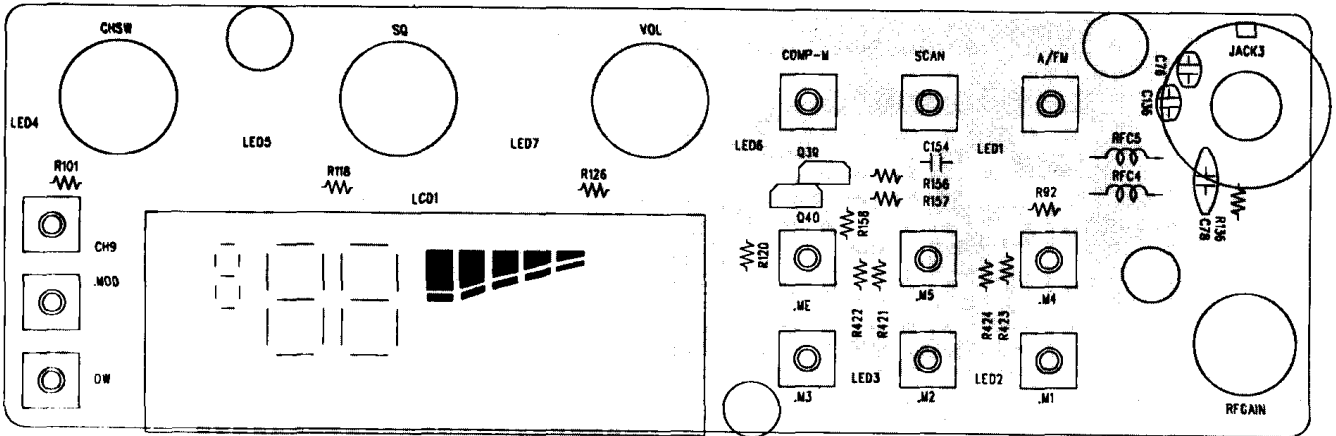
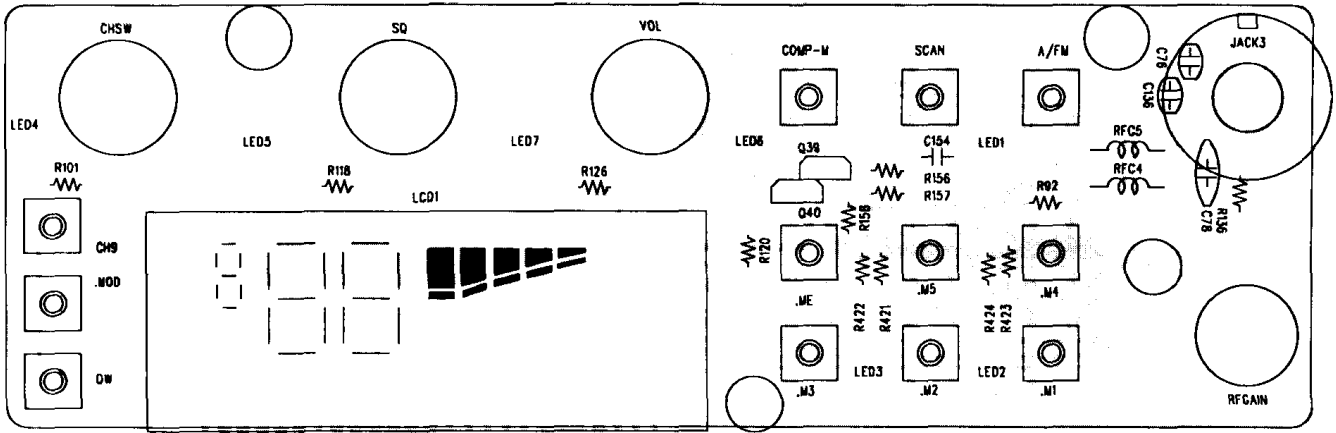


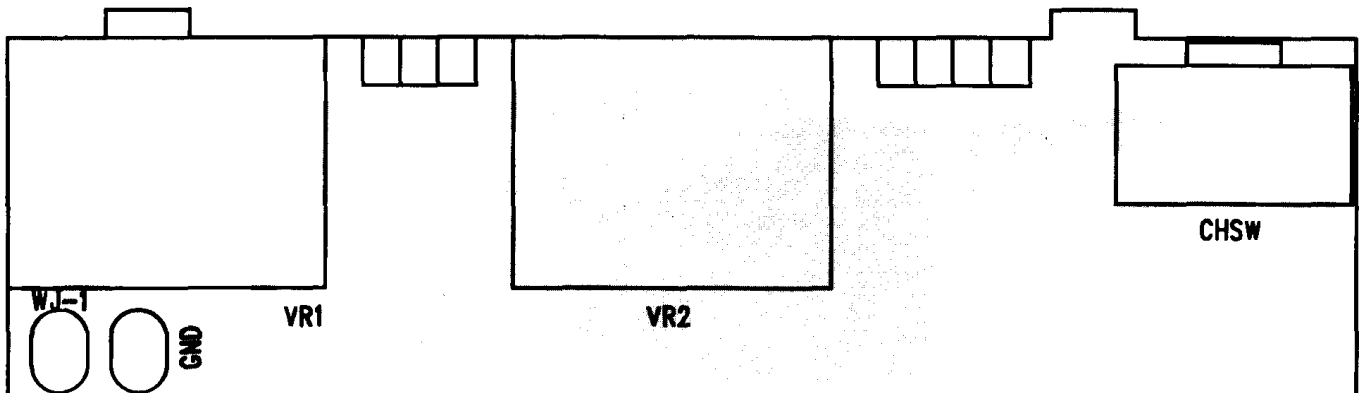
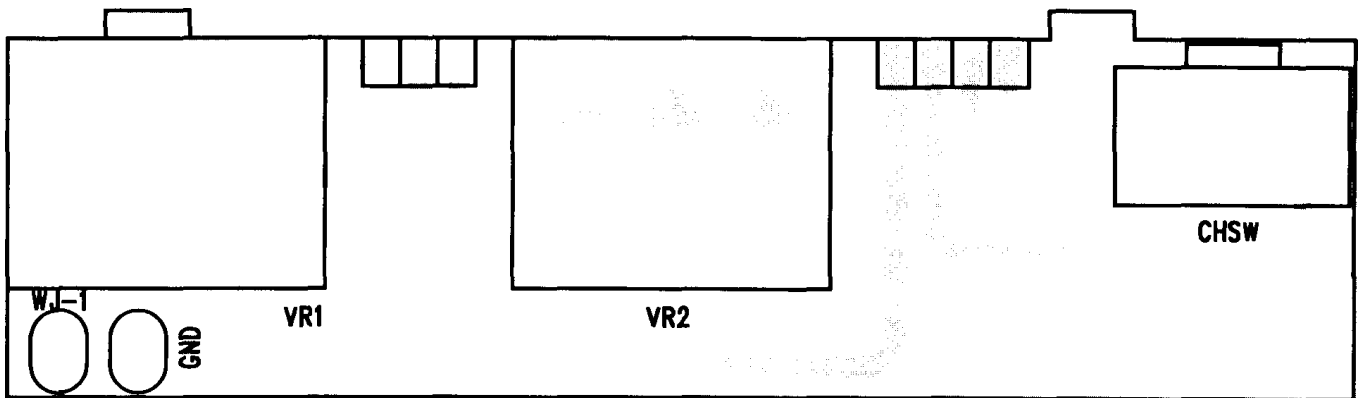
# FUNCTIONAL



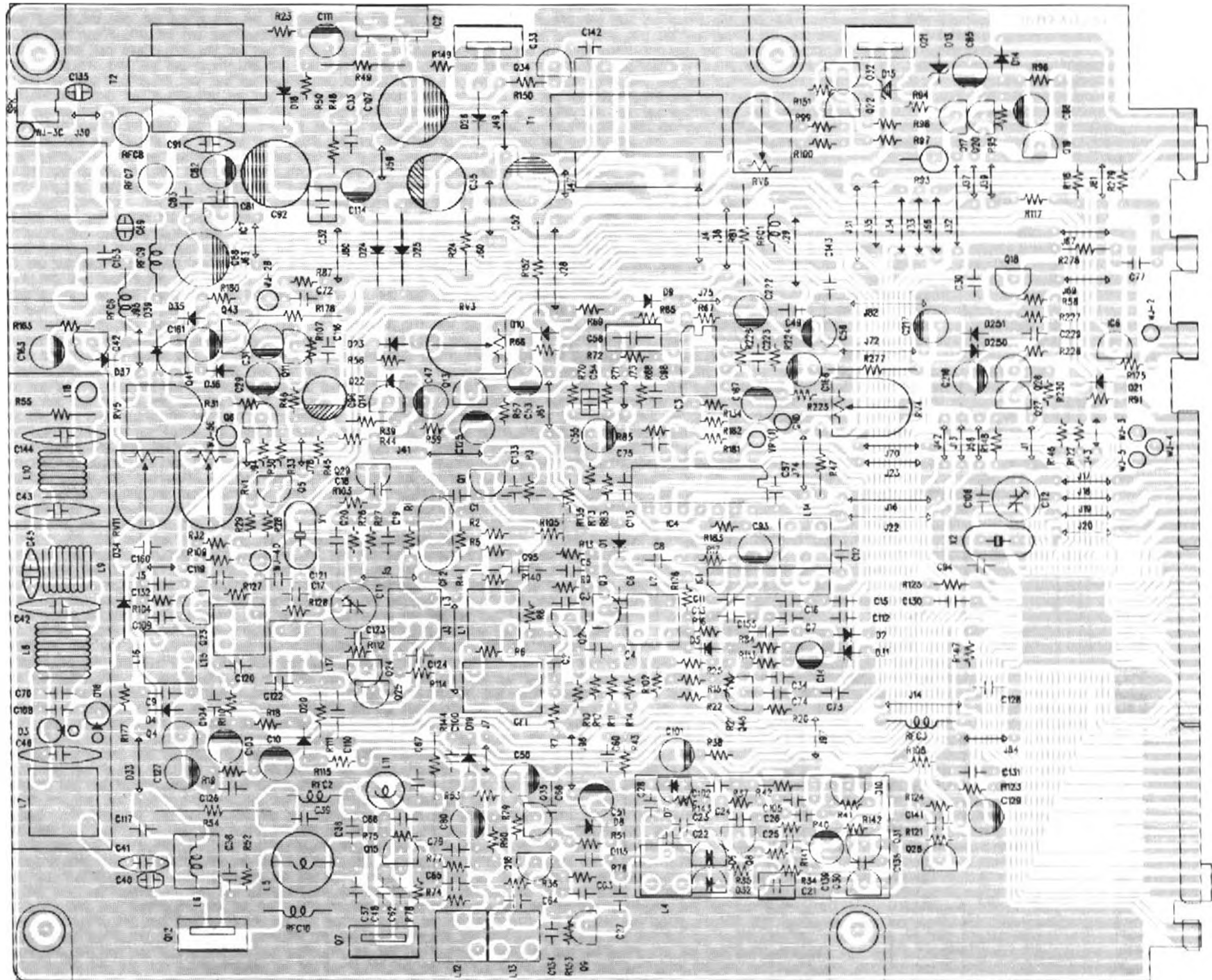
# FRONT PCB



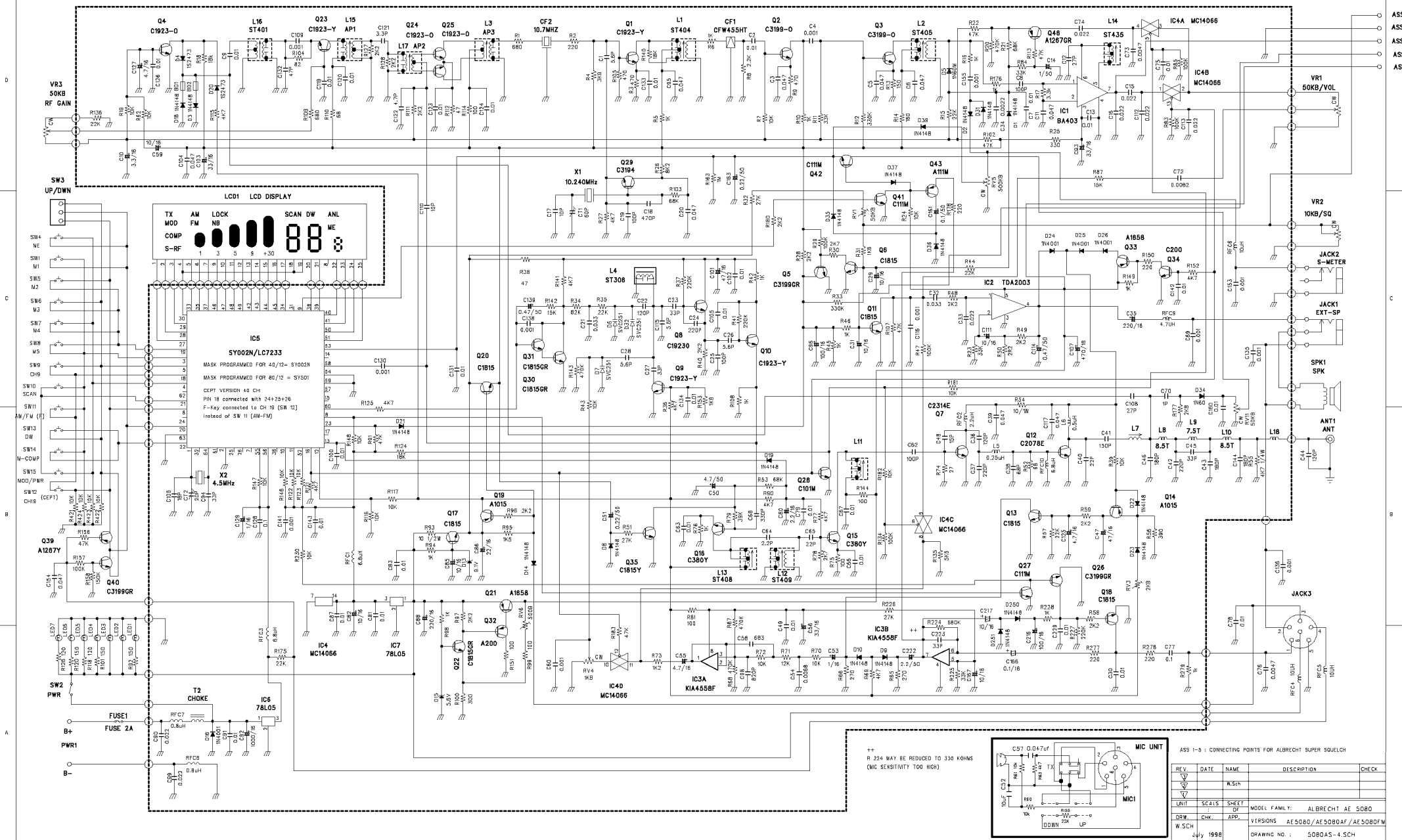
# SUB PCB







# ALBRECHT AE 5080 / AE 5080 AF / AE 5080 FM ALL VERSIONS



**LCD1 LCD DISPLAY**

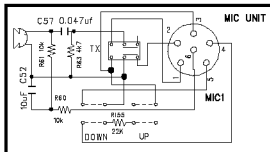
TX MOD AM LOCK SCAN DW ANL  
 COMP FM NB ME

1 3 5 6 +30

88.8

**IC5 SY002N/LC7233**

MASK PROGRAMED FOR 40/12- SY002N  
 MASK PROGRAMED FOR 80/12- SYSD1  
 CEPT VERSION 40 CH  
 PIN 18 connected with 24+25+26  
 F-key connected to CH 19 (SW 12)  
 instead of SW 11 (4M-FM)



++  
 R 224 MAY BE REDUCED TO 330 KOHMS  
 (MIC SENSITIVITY TOO HIGH)

ASS 1-3 : CONNECTING POINTS FOR ALBRECHT SUPER SQUELCH

REV.	DATE	NAM.	DESCRIPTION	CHECK

LR11	SCA15	SHEET	MODEL FAMILY	ALBRECHT AE 5080
			VERSIONS	AE 5080 / AE 5080AF / AE 5080FM

July 1998 DRAWING NO. : 5080AS-4-SCH