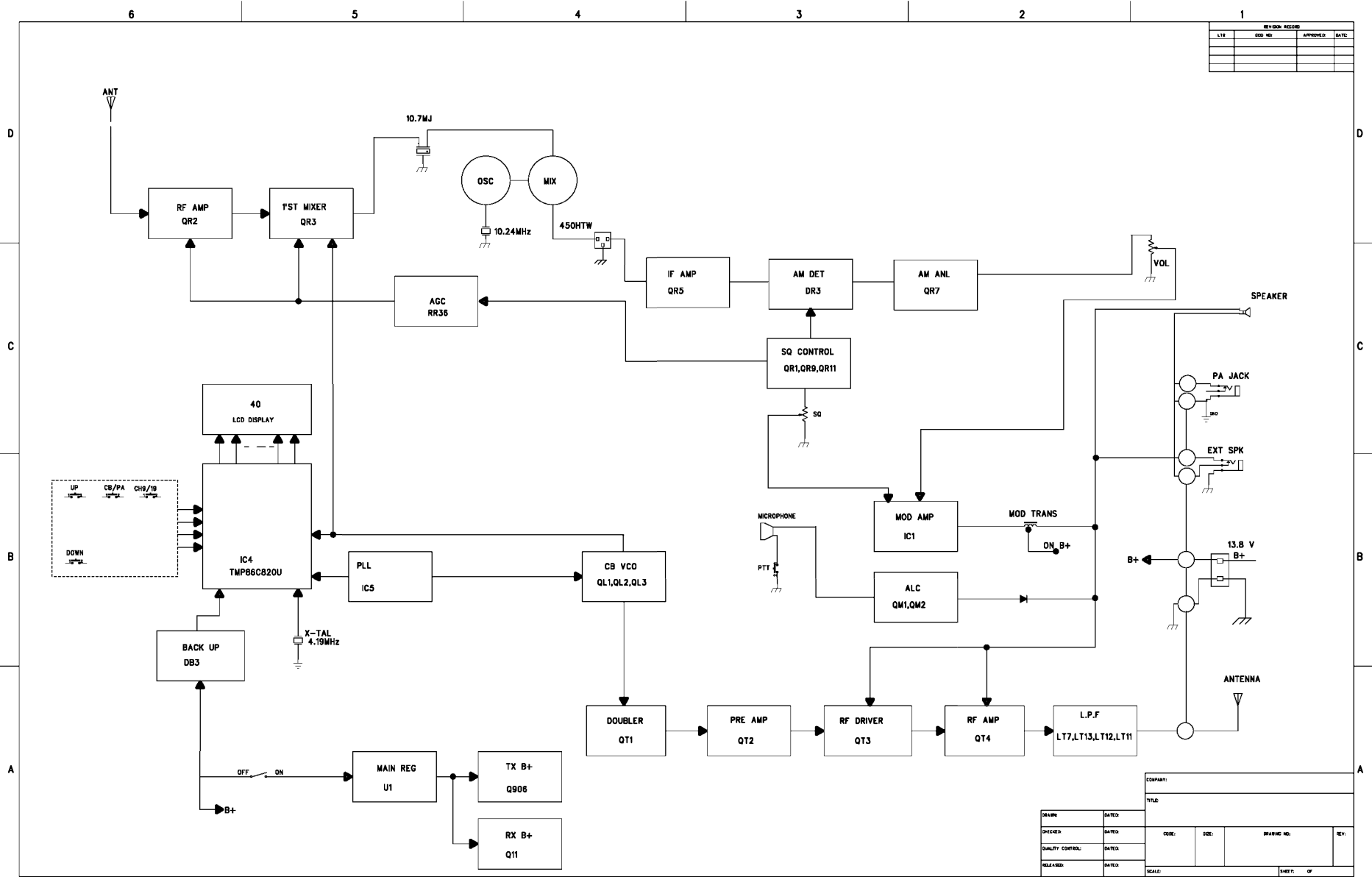
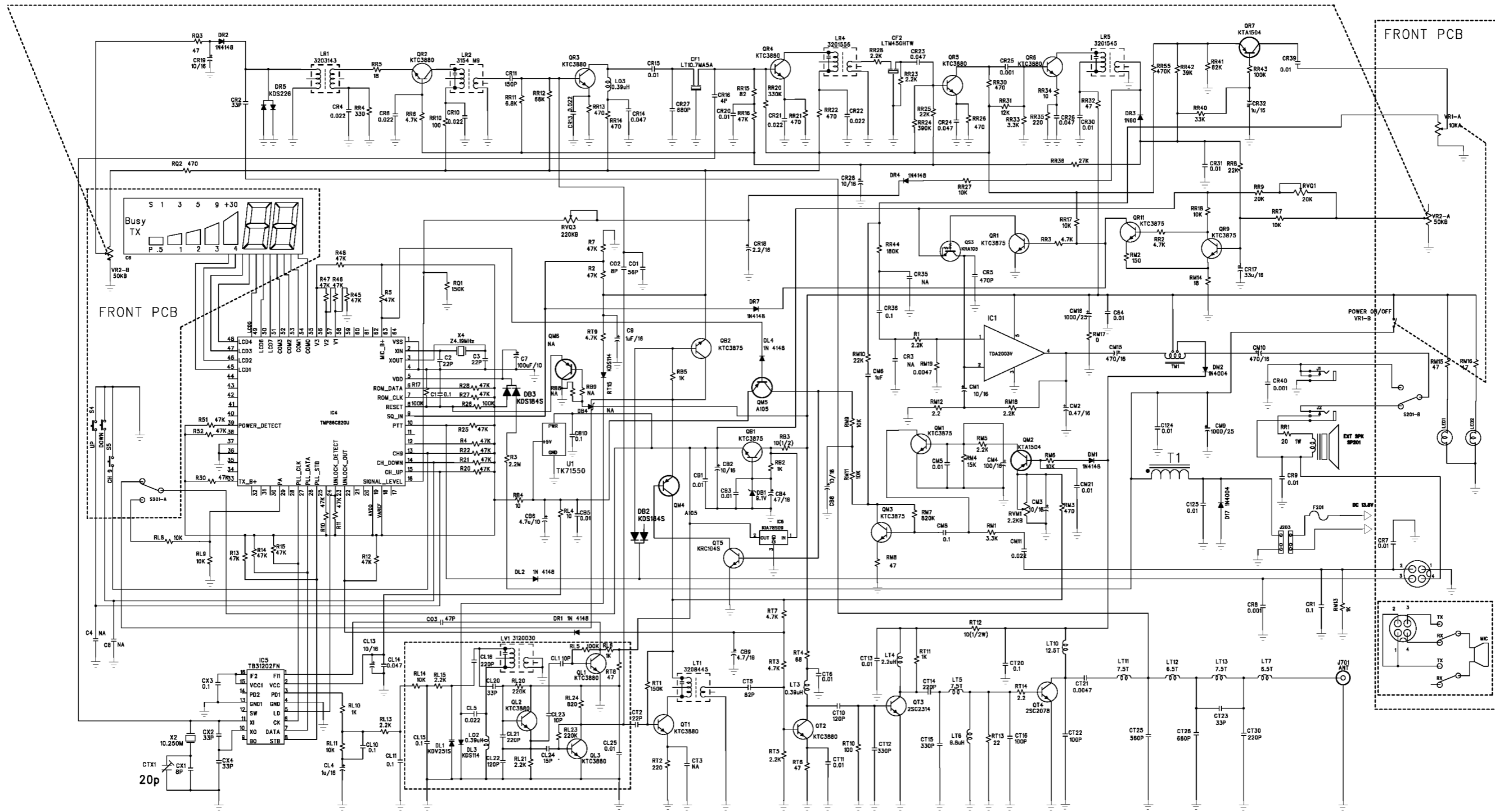
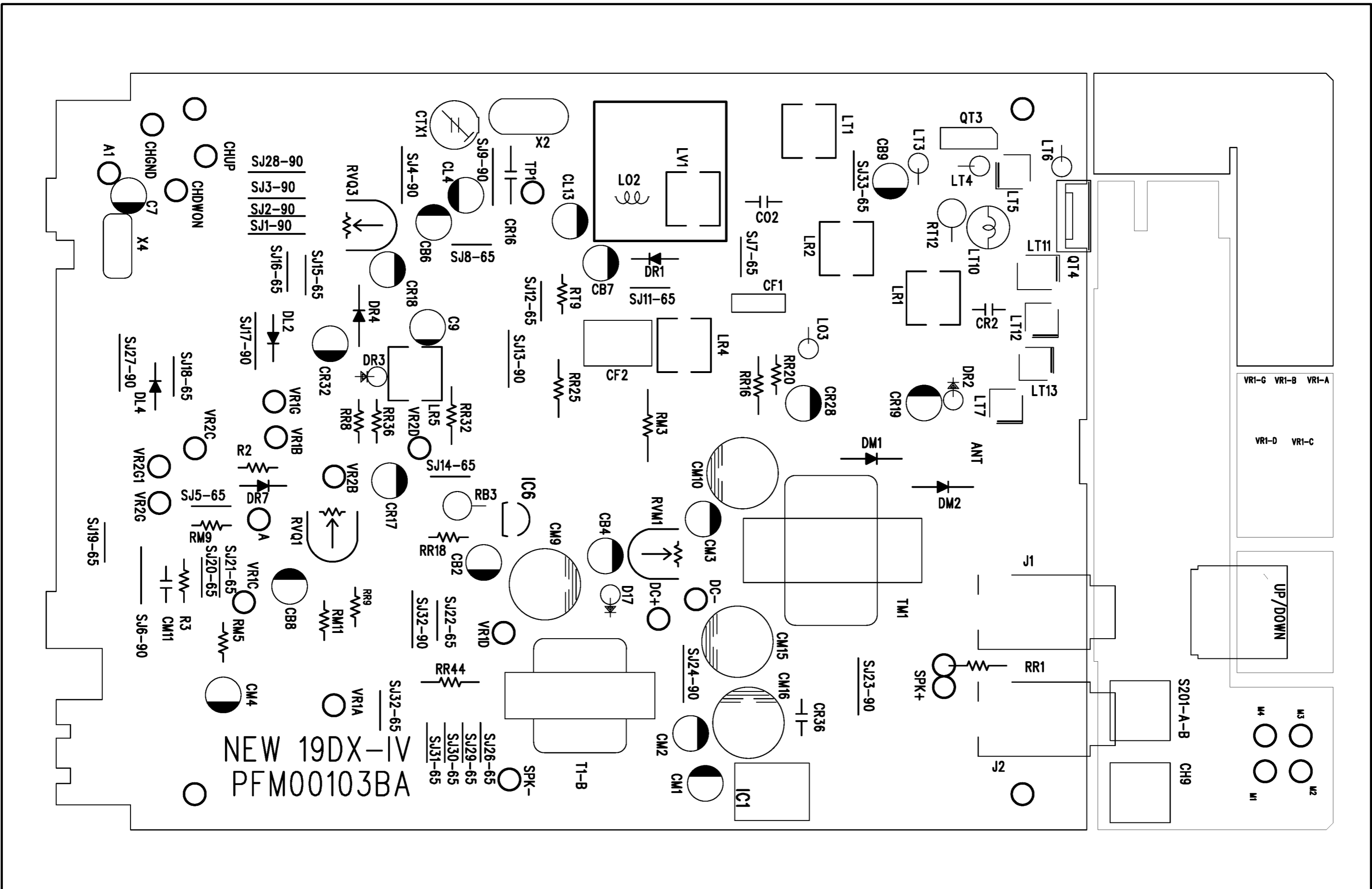


REVISION RECORD			
LT#	ECO NO.	APPROVED	DATE



DRAWN		DATED		COMPANY:		TITLE	
CHECKED		DATED		CODE	SIZE	DRAWING NO.	REV.
QUALITY CONTROL		DATED					
RELEASED		DATED		SCALE	SHEET: OF		





NEW 19DX-IV  
PFM00103BA

VRI-G VRI-B VRI-A  
VRI-D VRI-C

UP/DOWN

M3 M2  
M4 M1

S201-A-B CH9

SJ23-90

SJ26-65  
SJ29-65  
SJ30-65  
SJ31-65

SJ19-65

