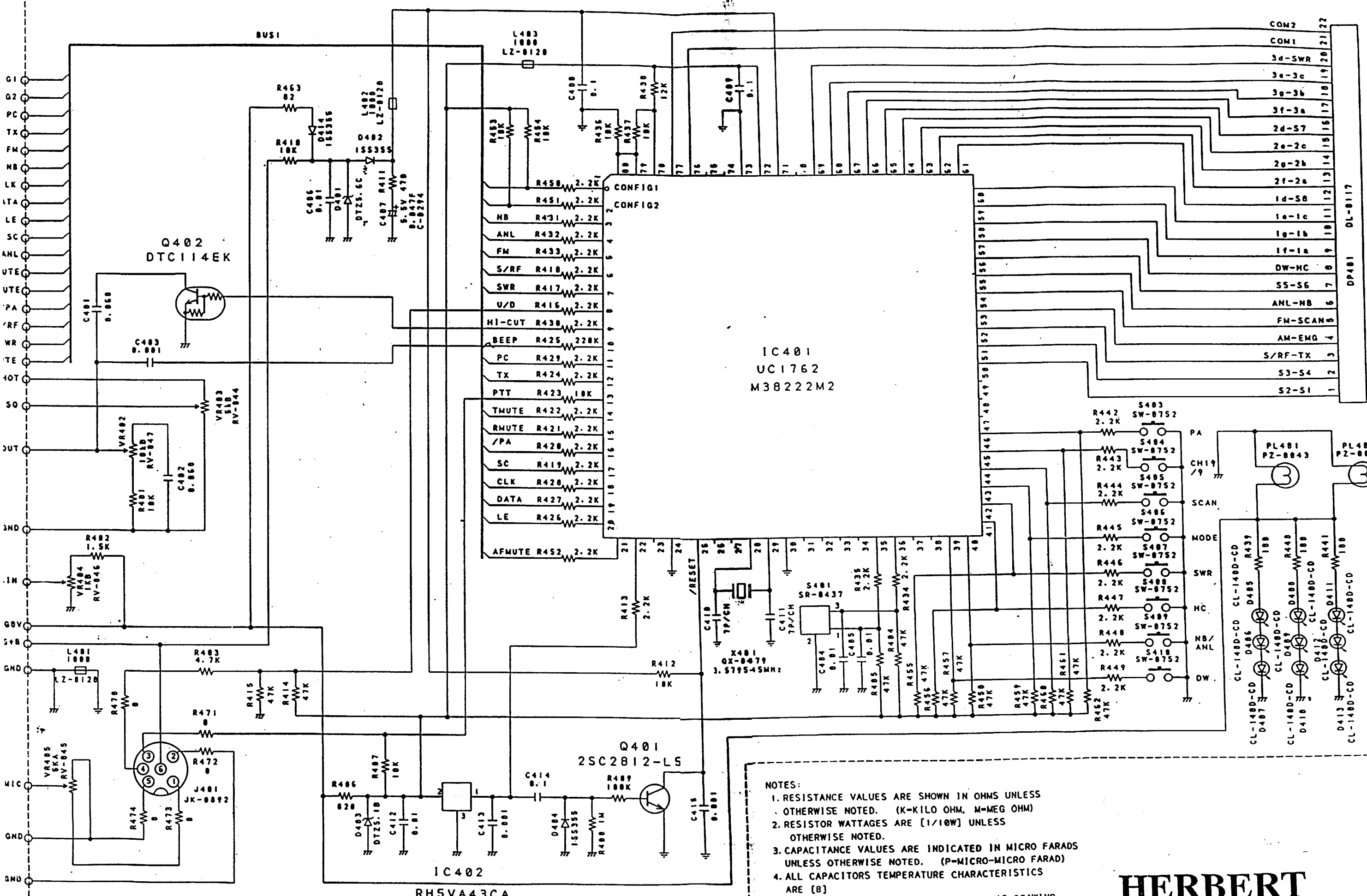


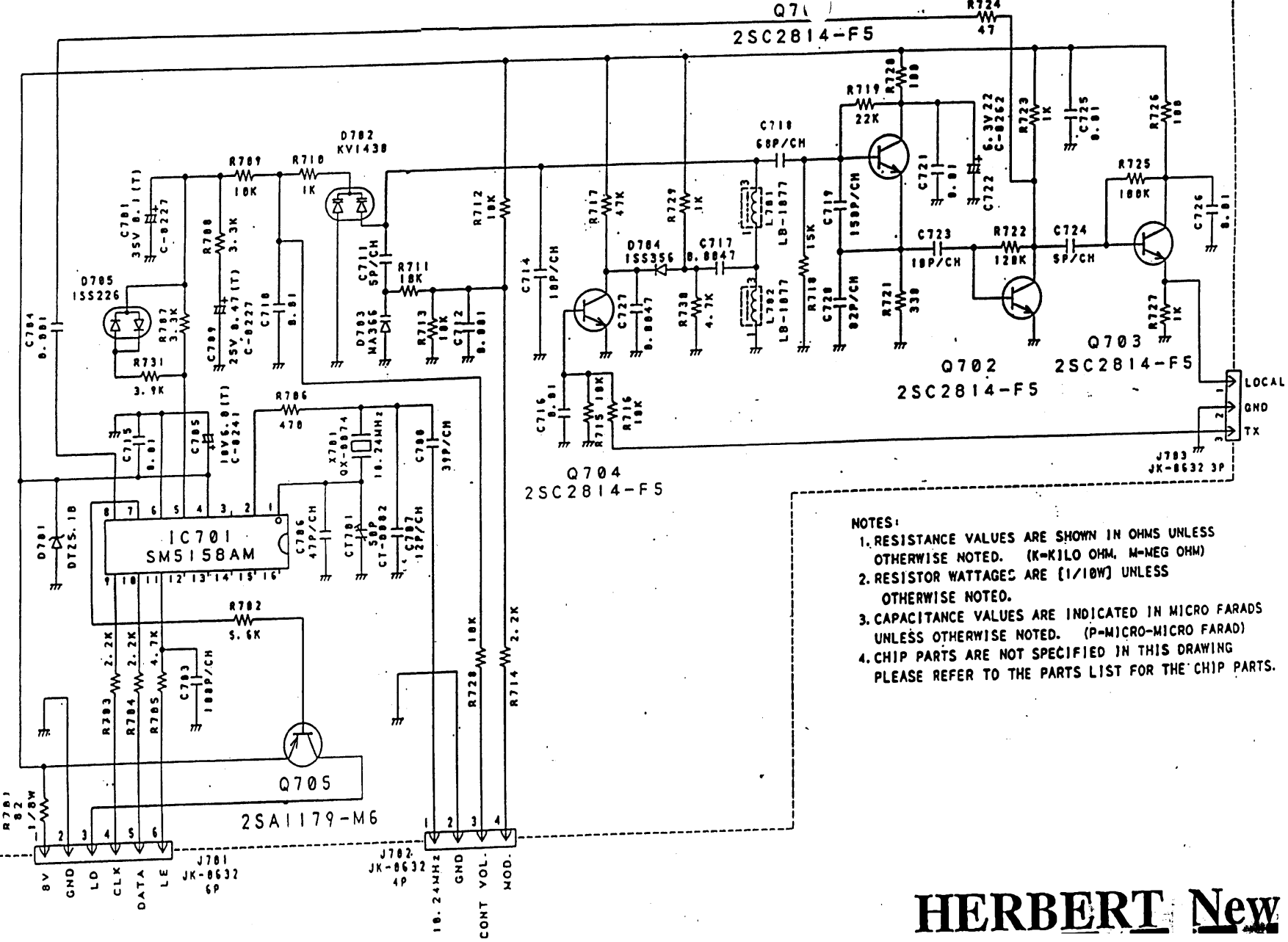
- NOTES:
1. RESISTANCE VALUES ARE SHOWN IN OHMS UNLESS OTHERWISE NOTED. (K=KILLO OHM, M=MEG OHM)
 2. RESISTOR WATTAGES ARE (1/10W) UNLESS OTHERWISE NOTED.
 3. CAPACITANCE VALUES ARE INDICATED IN MICRO UNLESS OTHERWISE NOTED. (P=MICRO-MICRO F)
 4. ALL CAPACITORS TEMPERATURE CHARACTERISTIC ARE (C) UNLESS OTHERWISE NOTED.
 5. THIS CIRCUIT IS NOT COMPLETE IN THIS DRAWING

HERBERT



- NOTES:
1. RESISTANCE VALUES ARE SHOWN IN OHMS UNLESS OTHERWISE NOTED. (K-KILO OHM, M-MEG OHM)
 2. RESISTOR WATTAGES ARE [1/10W] UNLESS OTHERWISE NOTED.
 3. CAPACITANCE VALUES ARE INDICATED IN MICRO FARADS UNLESS OTHERWISE NOTED. (P-MICRO-MICRO FARAD)
 4. ALL CAPACITORS TEMPERATURE CHARACTERISTICS ARE [B]
 5. CHIP PARTS ARE NOT SPECIFIED IN THIS DRAWING

HERBERT



HERBERT New