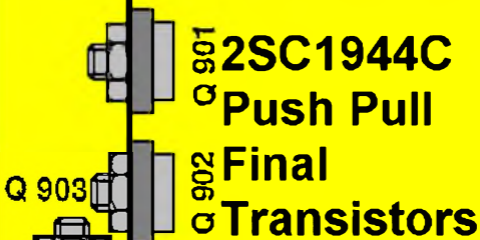


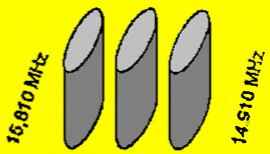
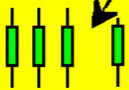
- NOTES:
1. RESISTANCE VALUES ARE SHOWN IN OHMS UNLESS OTHERWISE NOTED.
 2. RESISTOR RATINGS ARE 1/8W UNLESS OTHERWISE NOTED.
 3. CAPACITANCE VALUES ARE INDICATED IN MICRO FARADS UNLESS OTHERWISE NOTED. (p=PICO-MICRO FARAD)
 4. ALL CAPACITORS TEMPERATURE CHARACTERISTICS ARE 5% (LESS THAN 1000PF) 0.5% (1000PF OR MORE) UNLESS OTHERWISE NOTED.
 5. CHIP PARTS ARE NOT SPECIFIED IN THIS SCHEMATIC DIAGRAM. PLEASE REFER TO THE PARTS LIST FOR THE CHIP PARTS.
 6. VOLTAGE IN [] SHOWS TX CONDITION. NO MARK SHOWS RX CONDITION.
 7. VOLTAGES IN () CIRCUITS (022, 024...) ARE SHOWN DURING RX CONDITION.

PRESIDENT
J.F.K. N

DESIGN	DATE	BY	UT-3492	MODEL NO.	J. F. K.
DEVELOP				TITLE	SCHEMATIC DIAGRAM
REV.				DRAWING NO.	E11-3877



R49
*Remove the Trimmer
and solder R49 (1 ohm)*

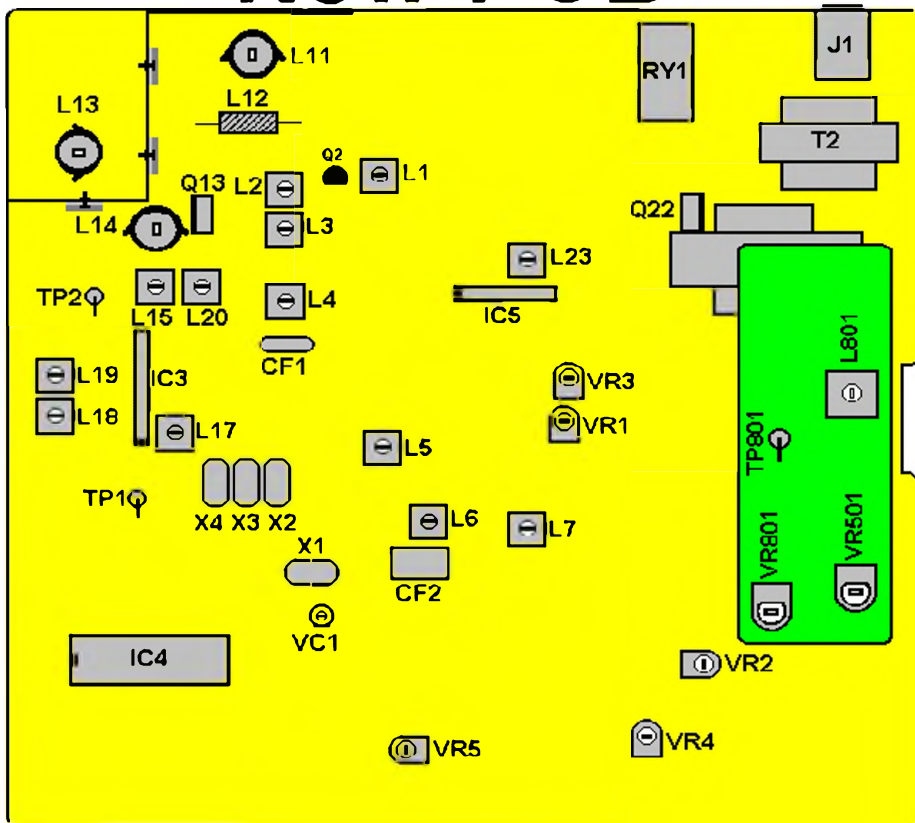


*Remove the solder (straps)
between X2, X3 and X4*

Add X-2 & X-4



New PCB



Old PCB

