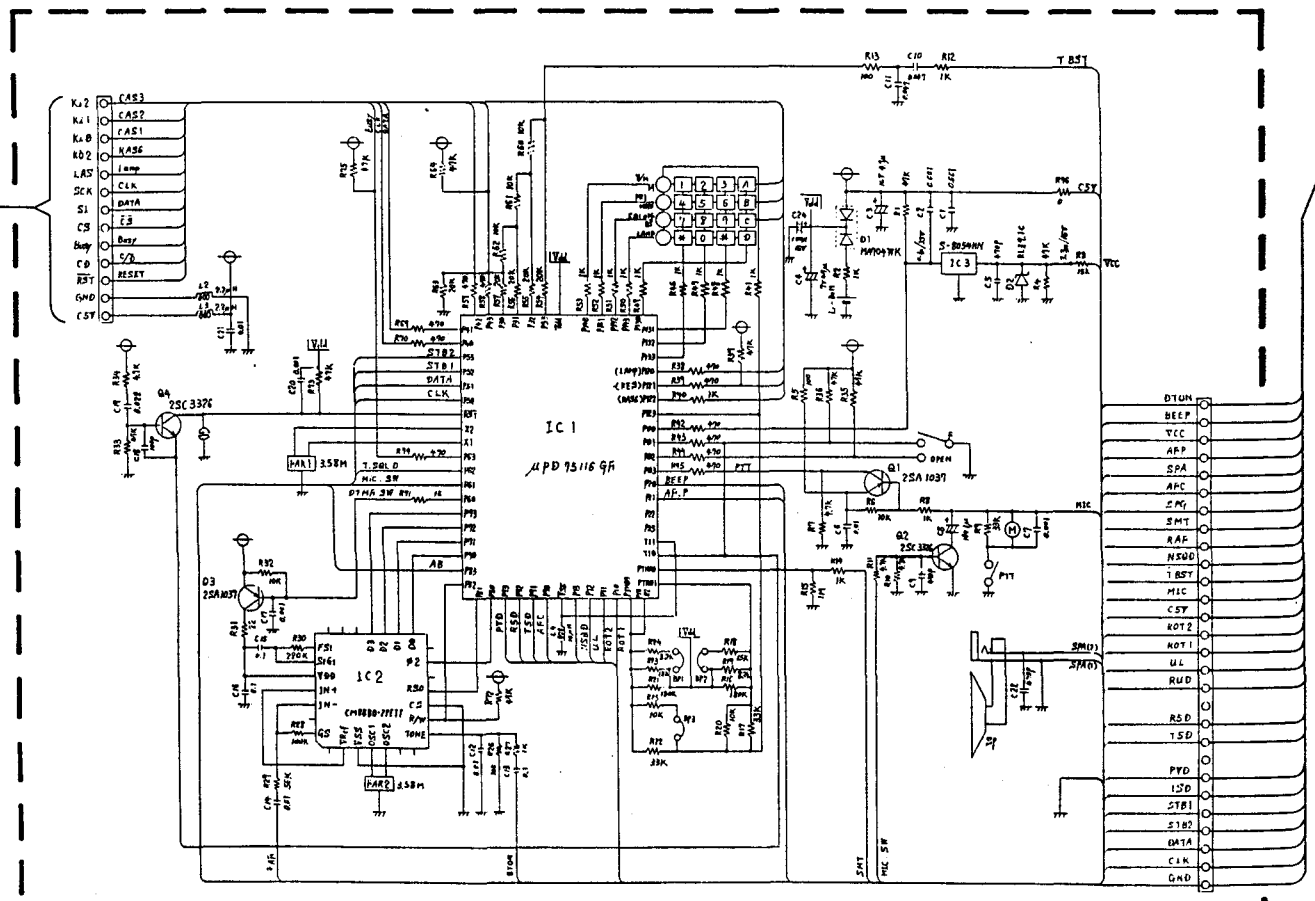
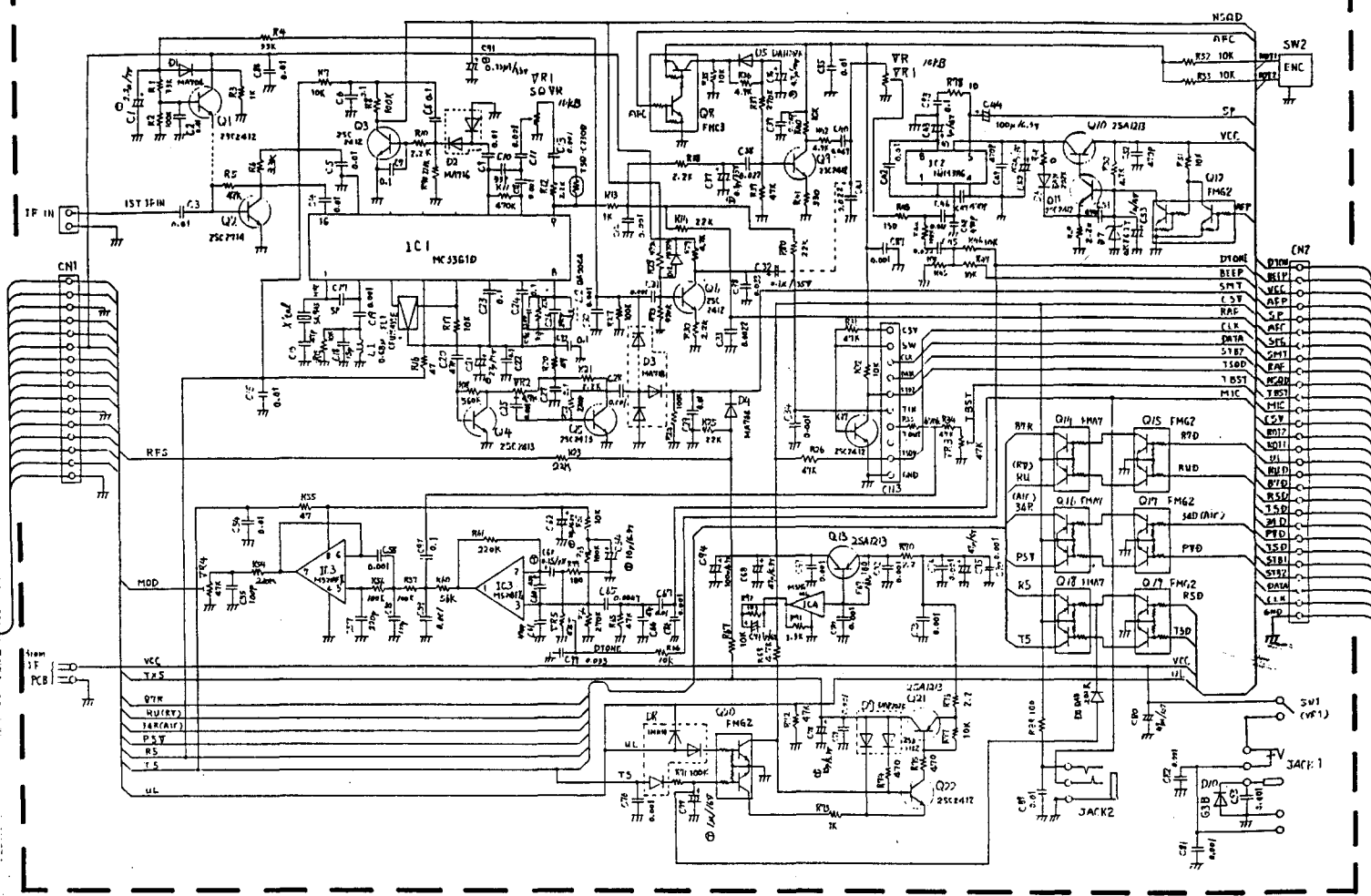
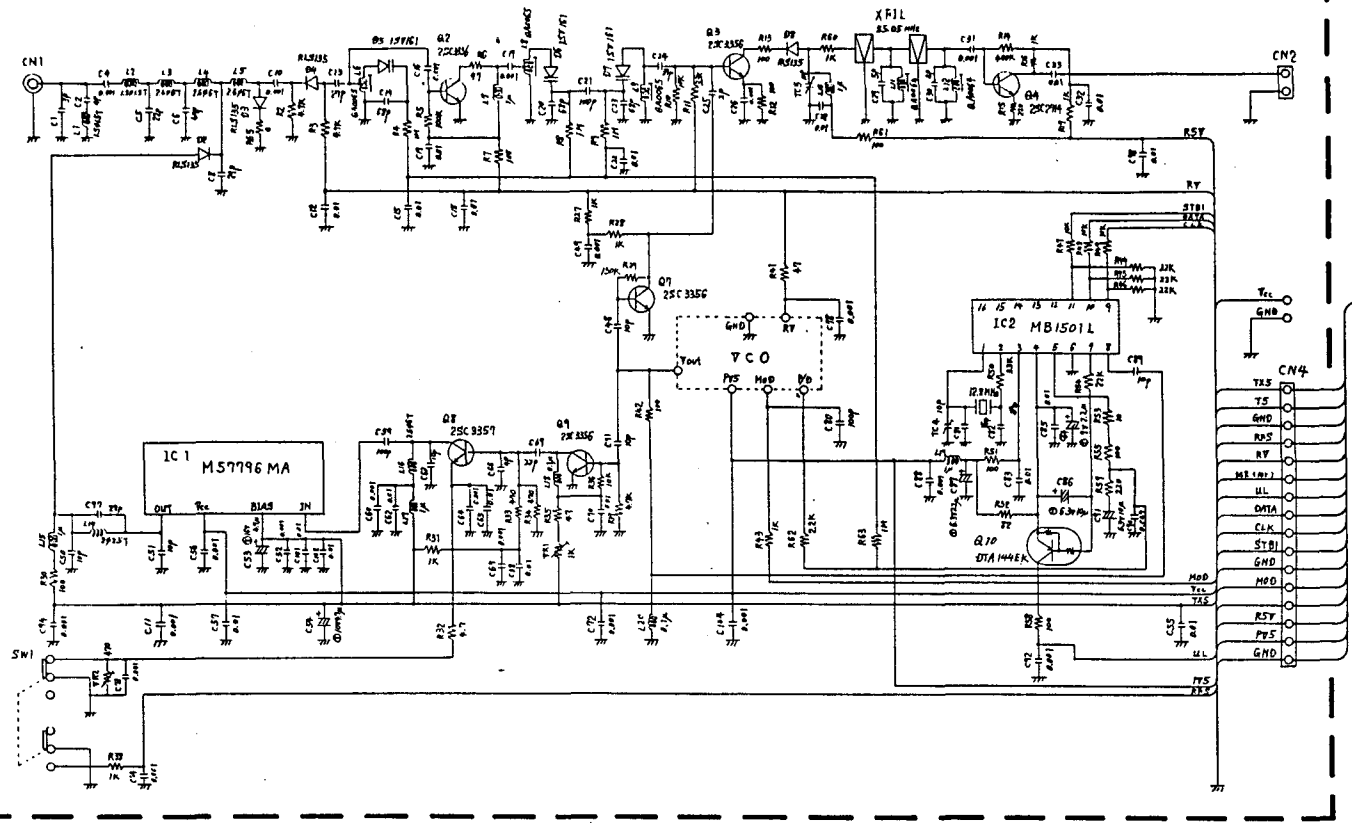


# IF UNIT

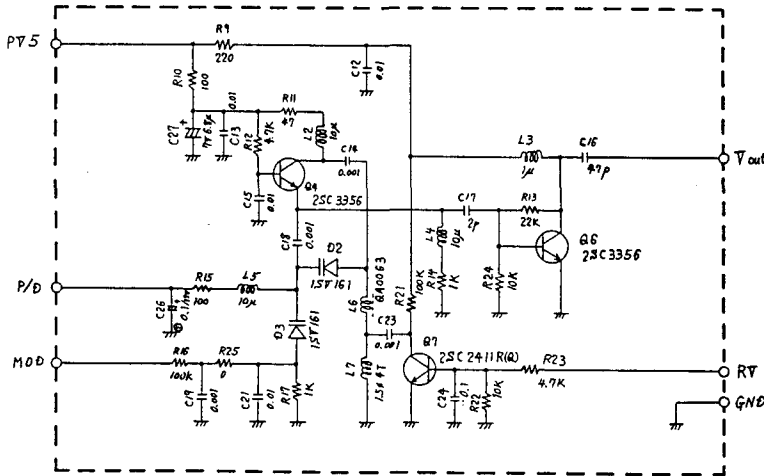


| DJ-162 |       |       |
|--------|-------|-------|
|        | TD    | ED    |
| R13    | 100   | 1K    |
| R19    |       | 8.2K  |
| R20    | 10K   |       |
| R24    |       | 8.2K  |
| R54    | 20K   |       |
| R55    | 20K   |       |
| R56    | 20K   |       |
| R57    | 20K   | 1K    |
| R60    | 10K   | 0     |
| R61    | 10K   | 0     |
| R62    | 10K   | 0     |
| R63    | 20K   |       |
| C10    | 0.047 | 0.01  |
| C11    | 0.047 | 0.01  |
| C30    |       | 0.047 |

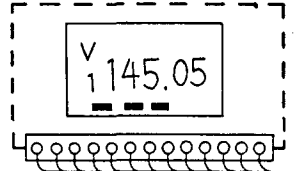
RF UNIT



VOC UNIT



LCD UNIT



**SCHEMATIC  
DIAGRAM  
DJ-162TD/ED**

Specifications are subject to change without notice or obligation.

|     | DJ-16 |    |
|-----|-------|----|
|     | TD    | E  |
| R13 | 100   | 1  |
| R19 | —     | 8. |
| R20 | 10K   | —  |
| R24 | —     | 8. |
| R54 | 20K   | —  |
| R55 | 20K   | —  |
| R56 | 20K   | —  |
| R57 | 20K   | 1  |
| R60 | 10K   | —  |
| R61 | 10K   | —  |
| R62 | 10K   | —  |
| R63 | 20K   | —  |
| C10 | 0.047 | 0  |
| C11 | 0.047 | 0  |
| C30 | —     | 0. |