

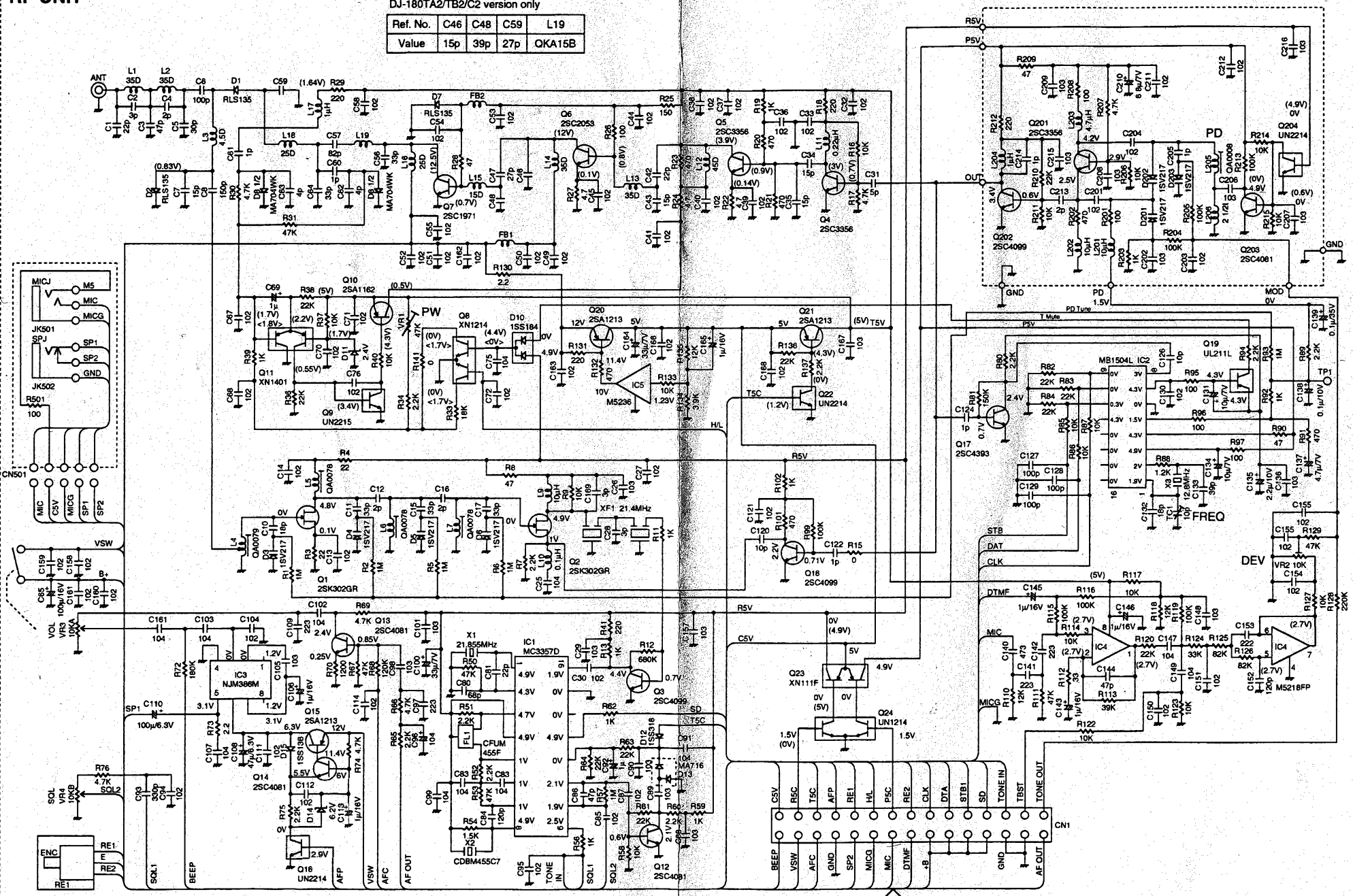
# SCHEMATIC DIAGRAM DJ-180

Specifications are subject to change without notice or obligation.

## RF UNIT

DJ-180TA2/TB2/C2 version only

Ref. No.	C46	C48	C59	L19
Value	15p	39p	27p	QKA15B



- BEEP
- VSW
- AFC
- GND
- SP2
- MICG
- MIC
- DTMF
- +B
- GND
- AF OUT
- AF IN
- SOL1
- SOL2
- TONE IN
- CSV
- RSC
- TSC
- AFP
- RE1
- HL
- PSC
- RE2
- CLK
- DTA
- STBL
- SD
- TONEN IN
- TBST
- TONEN OUT
- AF OUT

