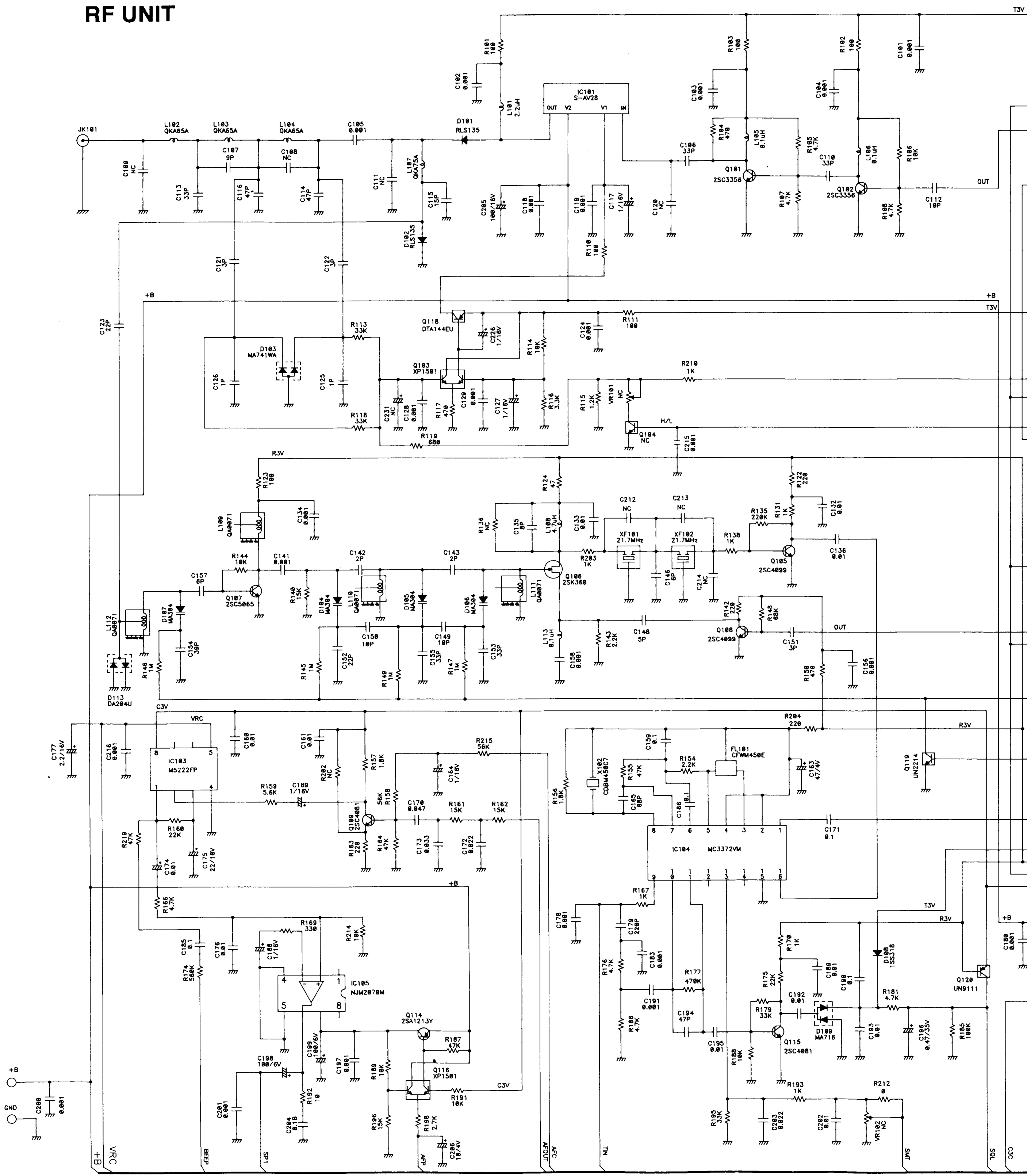
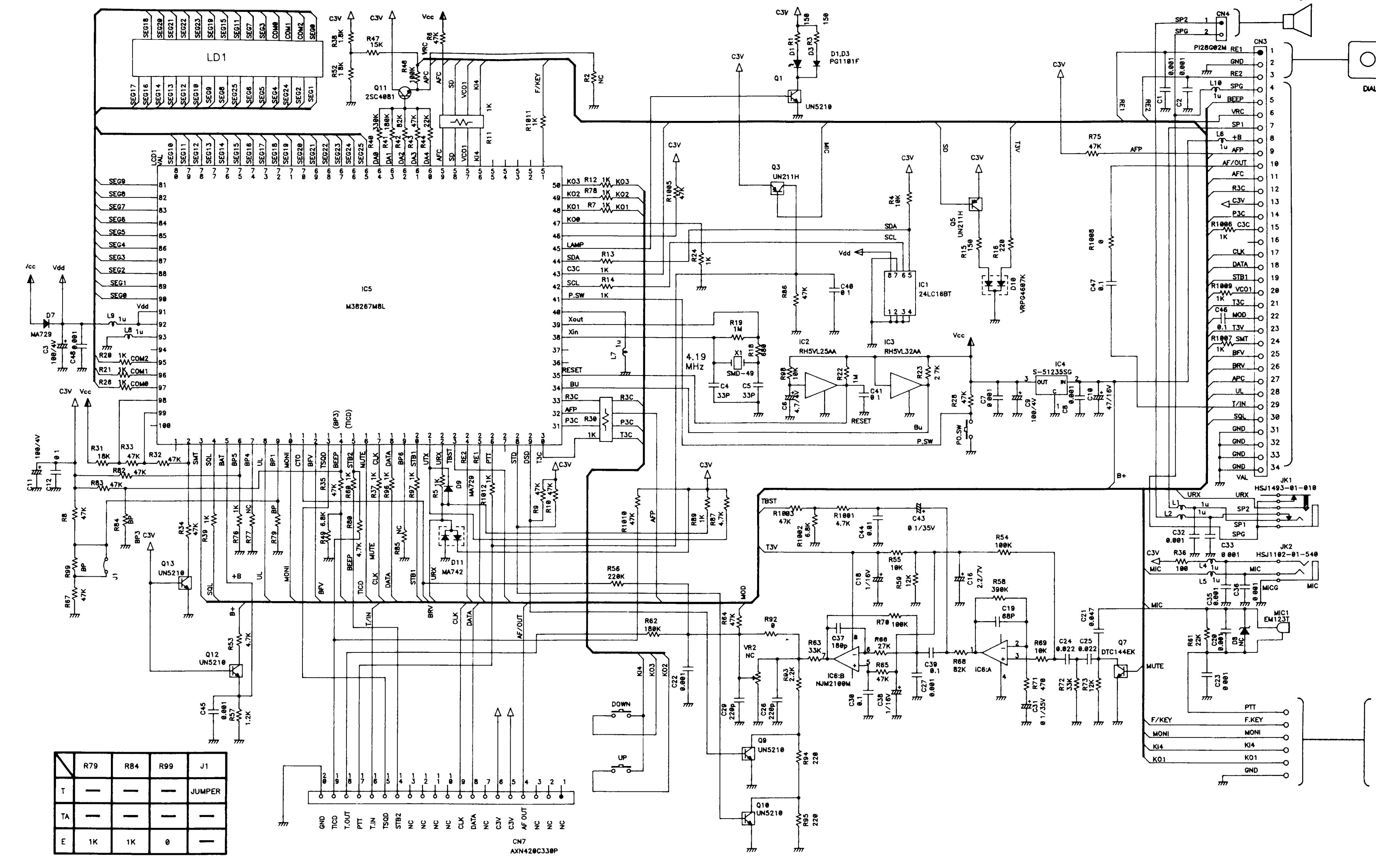
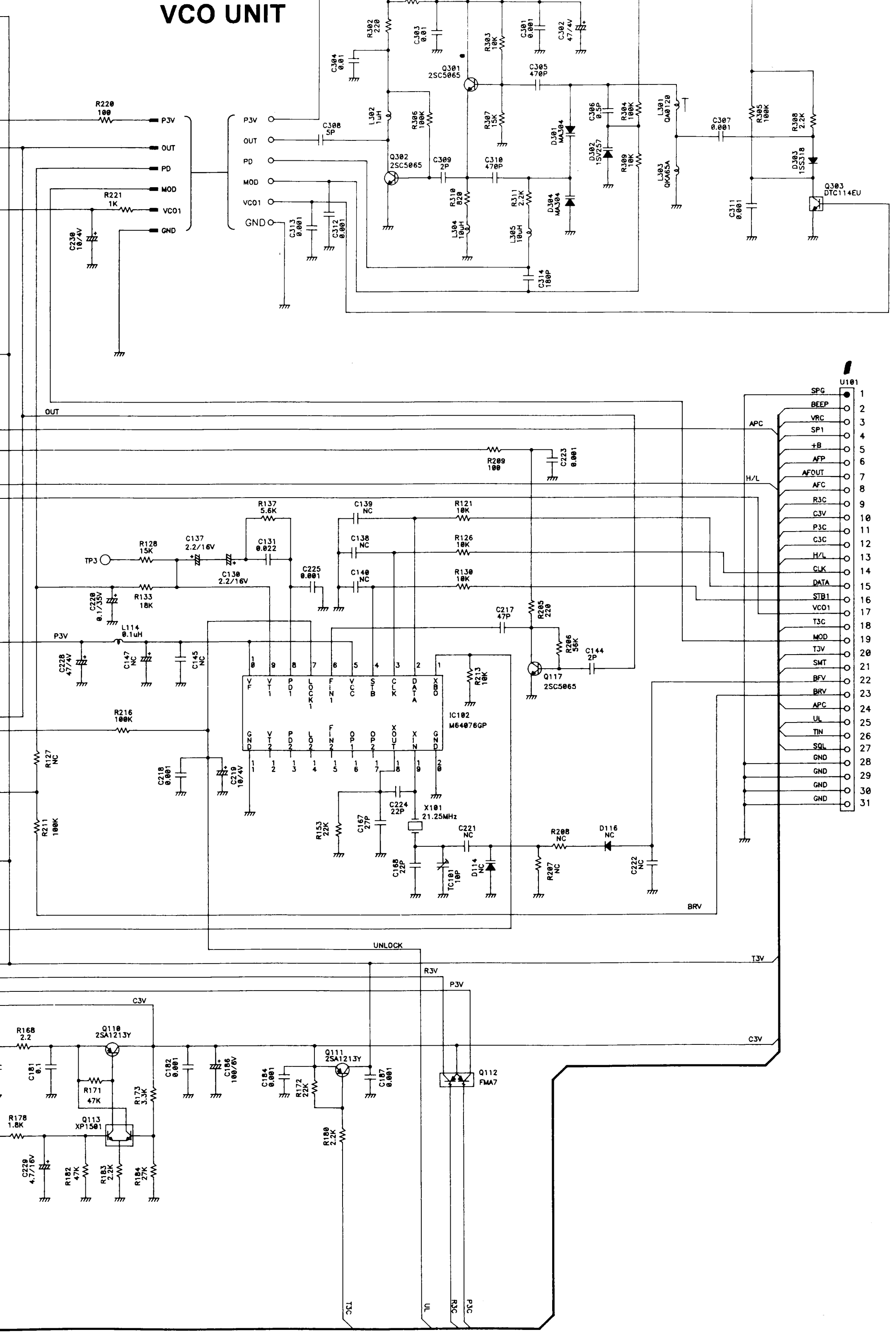


**RF UNIT**

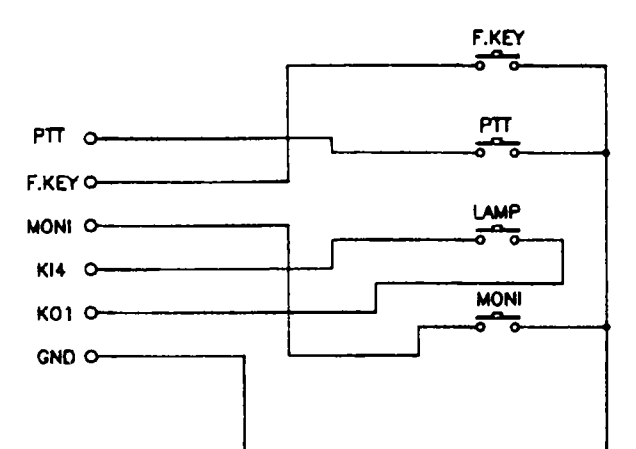


**VCO UNIT**

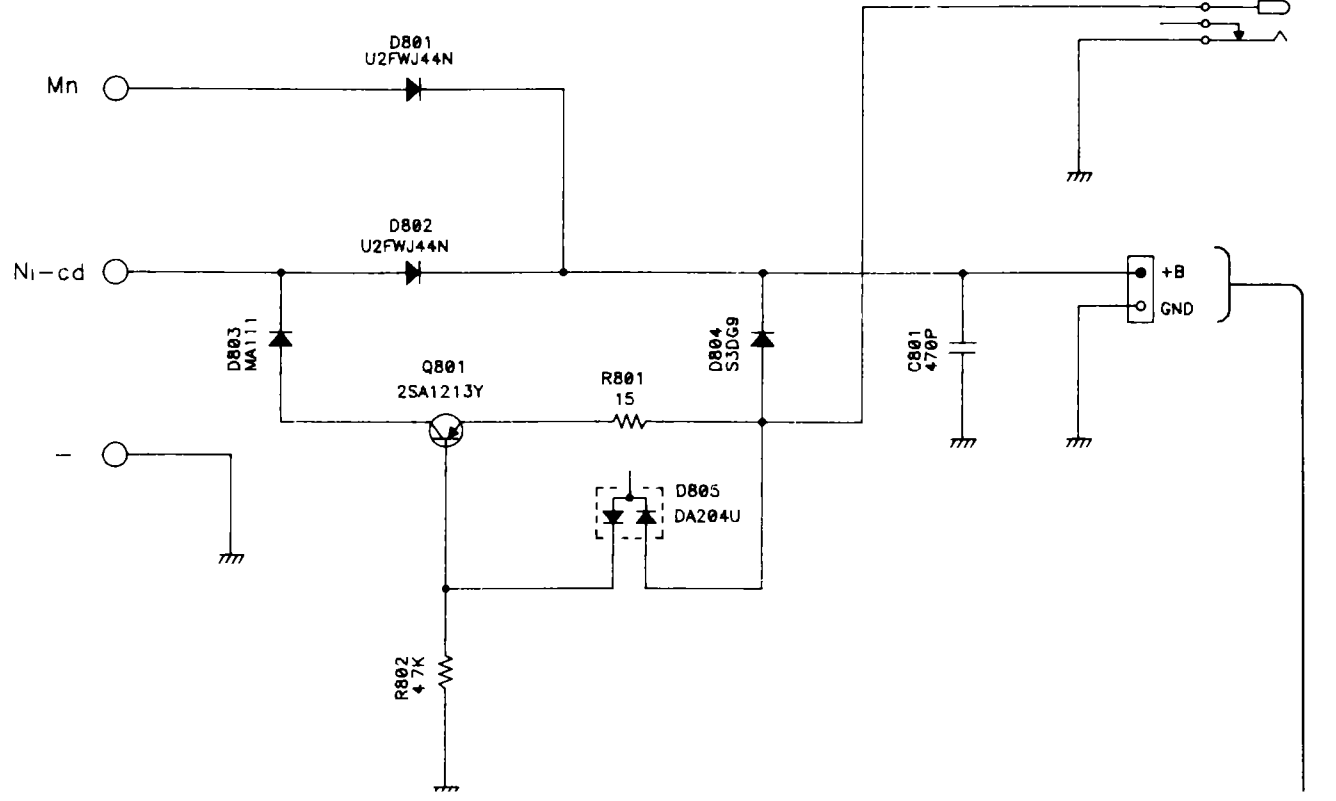


**CPU UNIT**

**PTT UNIT**



**CHARGE UNIT**



**SCHEMATIC DIAGRAM DJ-190T/E**