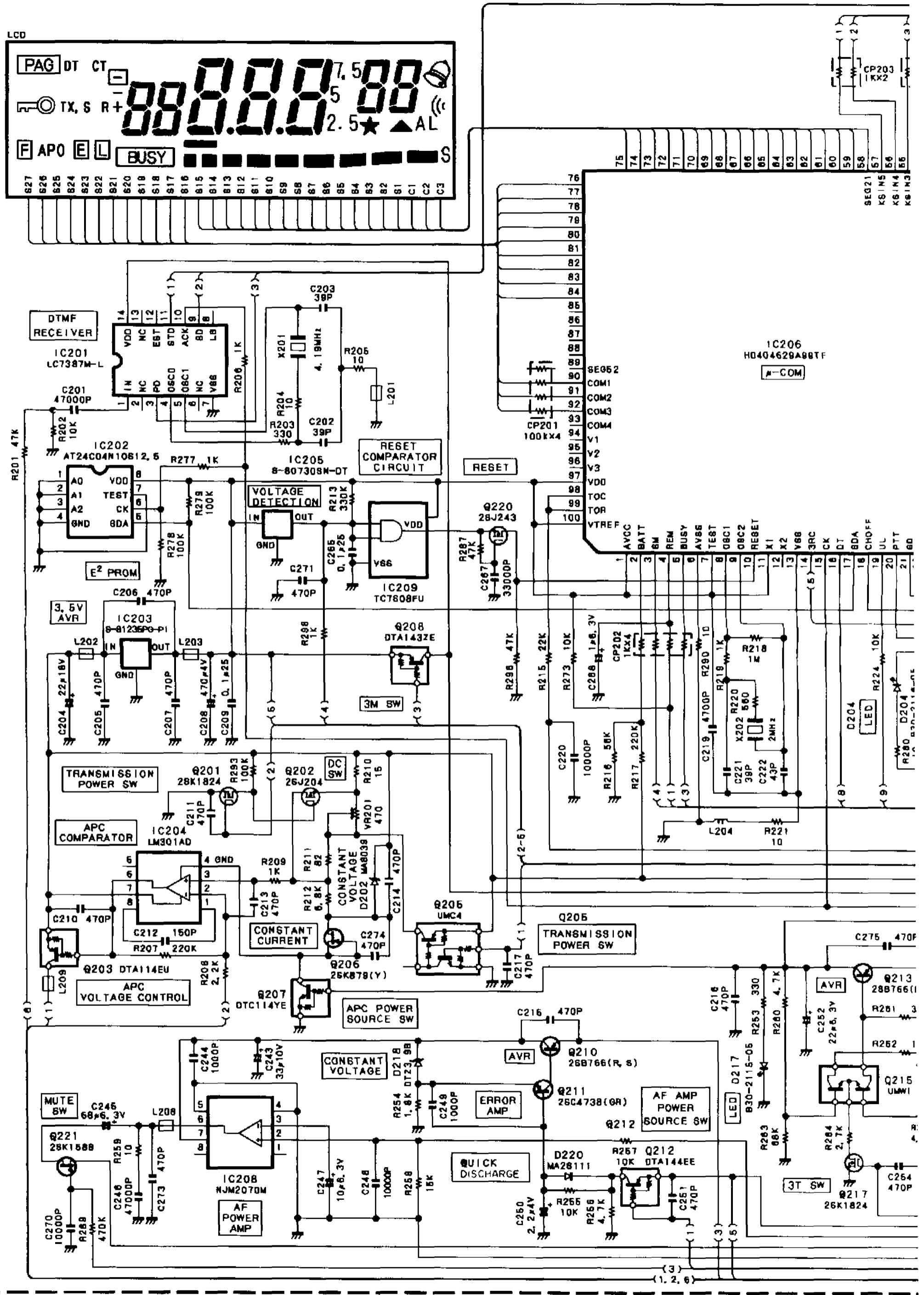
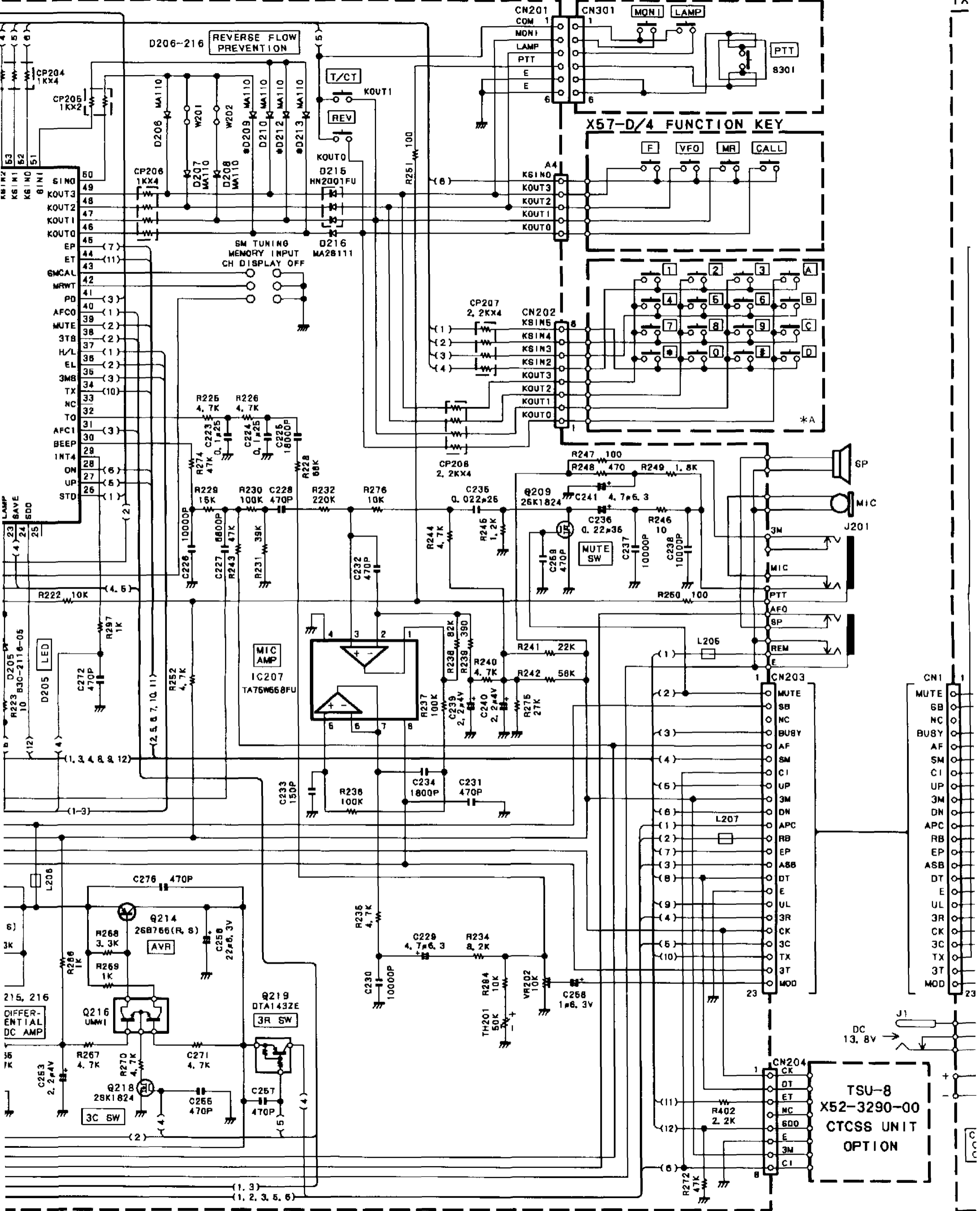


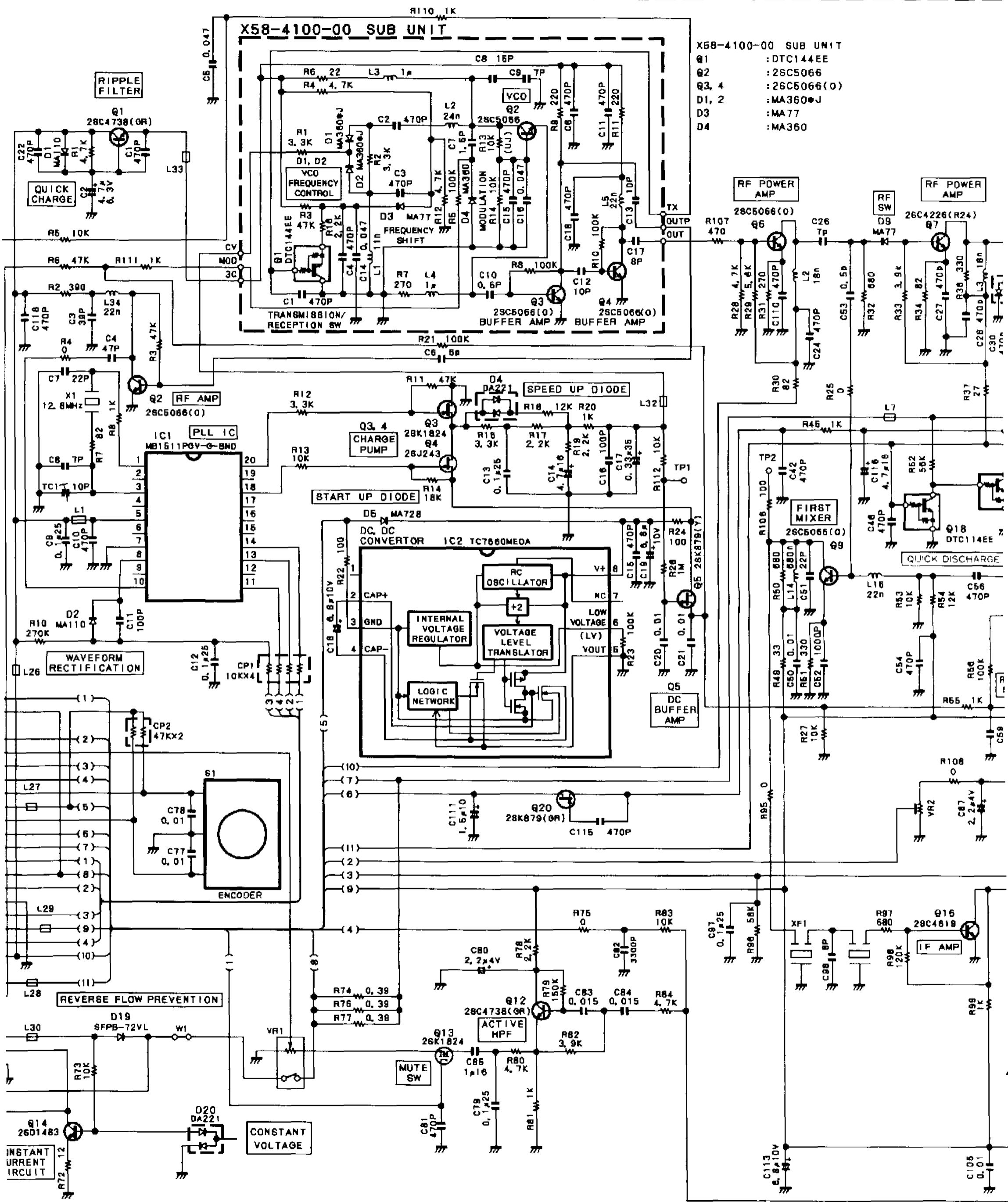
TH-42A/42AT/42E SCHEMATIC DIAGRAM



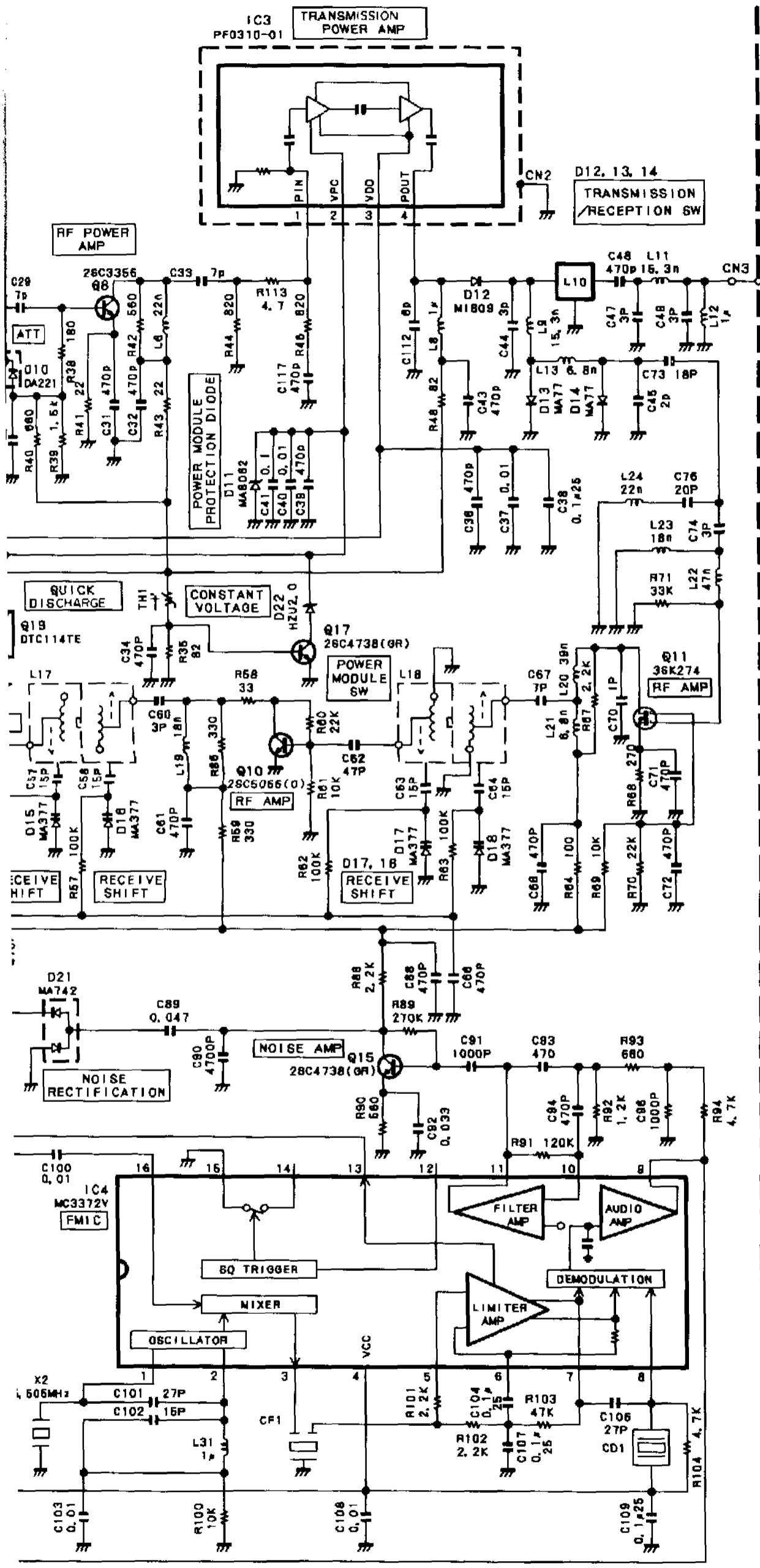
TX-RX UNIT X57-438X-XX(B/4) X57-C/4 PTT

TX





		0-XX	D208	D209	D212	D213	*A
TH-42AT	K	0-11	YES	YES	NO	NO	YES
TH-42A	M	0-21	YES	NO	YES	YES	OPTION
TH-42AT	M	0-21	YES	NO	YES	YES	YES
TH-42A	M2	0-22	NO	NO	YES	YES	OPTION
TH-42AT	M2	0-22	NO	NO	YES	YES	YES
TH-42E	E	2-71	YES	YES	YES	YES	OPTION
TH-42AT	E	2-71	YES	YES	YES	YES	YES
TH-42E	E2	2-72	YES	YES	NO	YES	OPTION
TH-42AT	E2	2-72	YES	YES	NO	YES	YES



(A/4)

- IC1 :MB1511PFV-G-BND
- IC2 :TC7660MEA
- IC3 :S-AU57
- IC4 :MC3372V

- D1, 2 :MA110
- D4, 10, 20 :DA221
- D5 :MA728
- D8, 13, 14 :MA77
- D11 :MA8062
- D12 :M1809
- D15, 16, 17, 18 :MA377
- D19 :SFPB-72VL
- D21 :MA742
- D22 :HZU2.0

- Q1, 12, 16, 17 :28C4738(G, R)
- Q2, 6, 9, 10 :28C5066(O)
- Q3, 13 :28K1824
- Q4 :2SJ243
- Q5 :2SK879(Y)
- Q7 :28C4226(R24)
- Q8 :28C3356
- Q11 :36K274
- Q14 :26D1483
- Q16 :28C4619
- Q18 :DTC114EE
- Q19 :DTC114TE
- Q20 :28K879(GR)

(B/4)

- IC201 :LC7387M-L
- IC202 :AT24C04N10612.5
- IC203 :S-81235PG-PI
- IC204 :LM301AD
- IC206 :S-80736N-DT
- IC206 :HD404629A99TF
- IC207 :TA75W658FU
- IC208 :NJM2070M
- IC209 :TC7808FU

- Q201, 209, 217, 218 :28K1824
- Q202 :28J204
- Q203 :DTA114EU
- Q205 :UNC4
- Q206 :28K879(Y)
- Q207 :DTC114YE
- Q208, 219 :DTA143ZE
- Q210, 213, 214 :28B766(R, 6)
- Q211 :28C4738(GR)
- Q212 :DTA144EE
- Q215, 216 :UMW1
- Q220 :28J243
- Q221 :28K1588

- D202 :MA8039
- D204, D206 :B30-2116-06
- D208-210, 212, 213 :MA110
- D215 :HN2001FU
- D216, 220 :MA28111
- D217 :B30-2115-05
- D218 :DT23.9(B)

Note: Circuits are subject to change without notice due to advancements in technology.