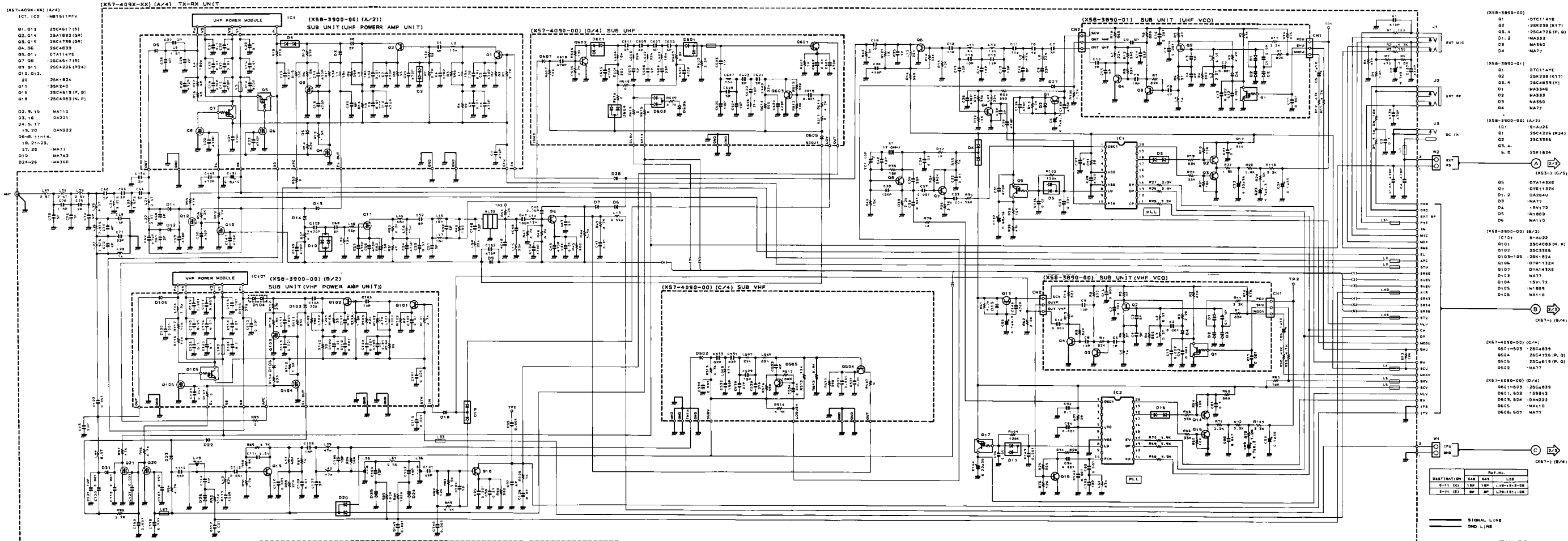
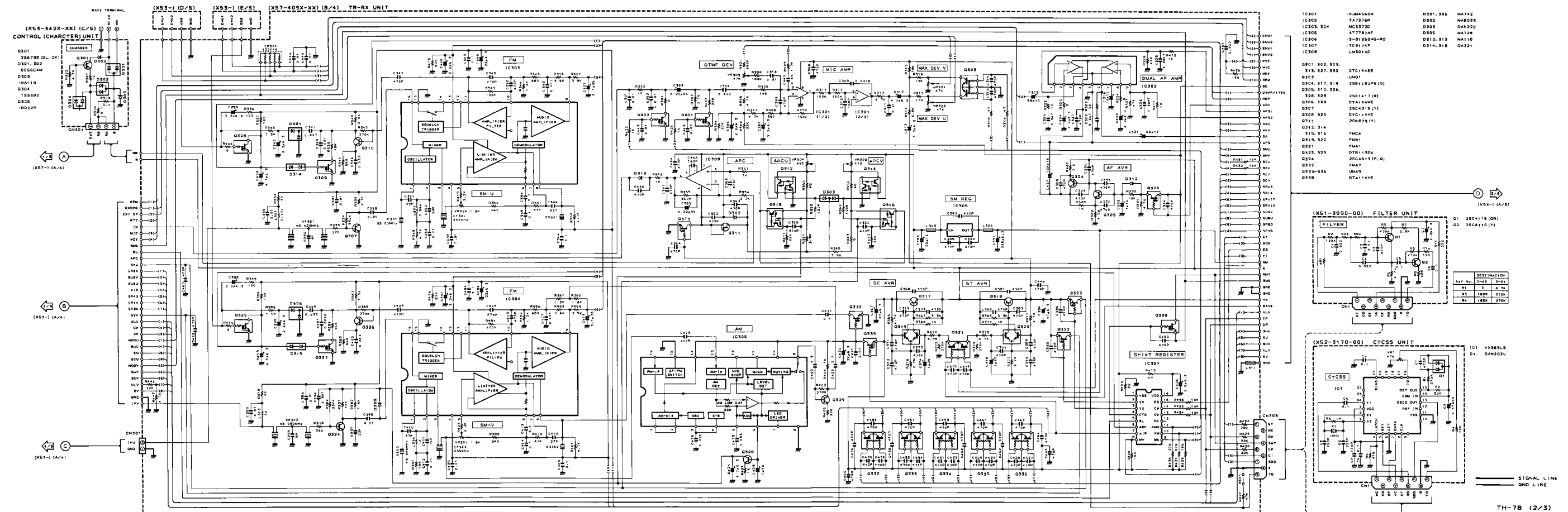


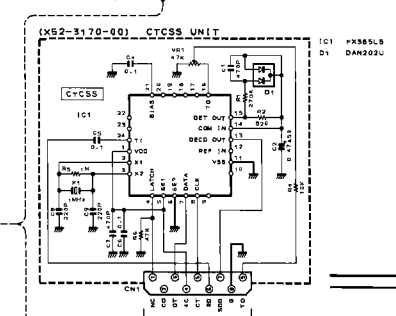
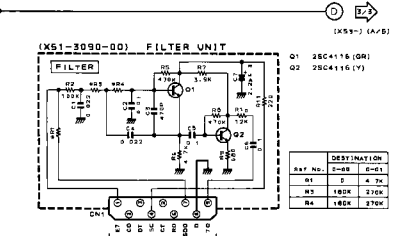
TH-78A/E SCHEMATIC DIAGRAM



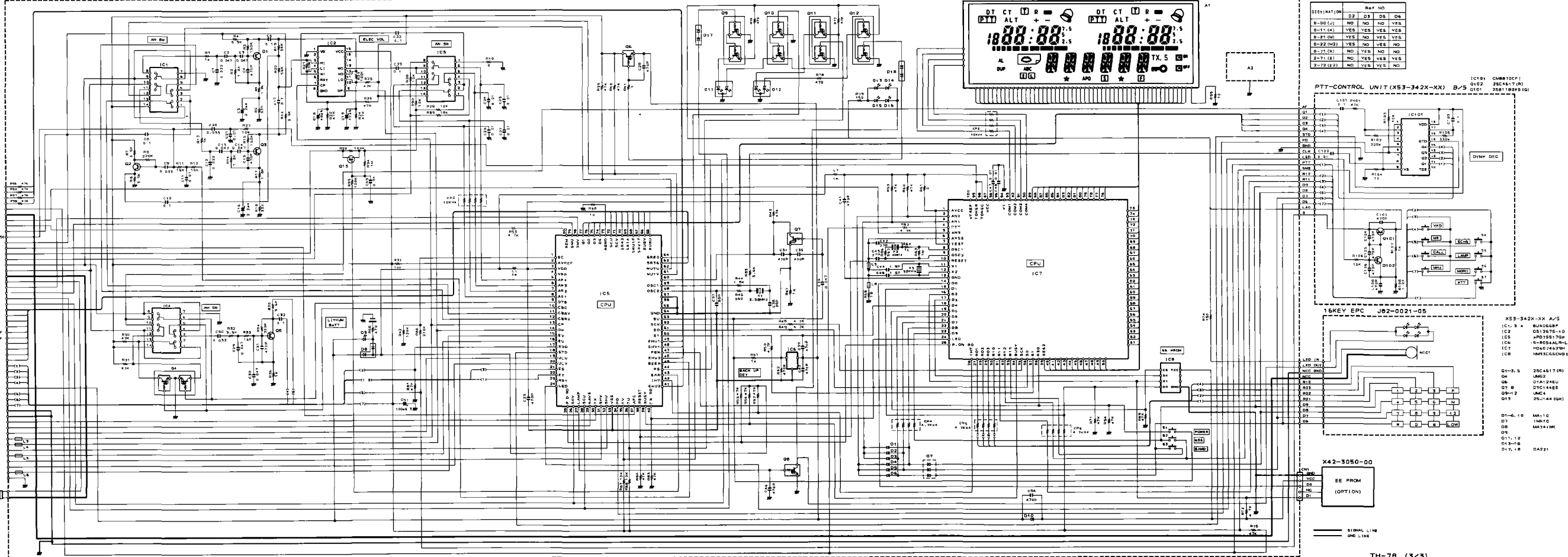
Note: Circuit is subject to change without notice due to advancements in technology.



- | | | | |
|------------|-------------|-----------|--------|
| IC801 | NJ4656M | Q301, 306 | MA742 |
| IC802 | TA7776P | Q302 | NAB099 |
| IC803, 304 | MC33720 | Q303 | DA202 |
| IC805 | A77787AF | Q305 | MA728 |
| IC806 | S-81250H-RD | Q312, 313 | MA110 |
| IC807 | TC9174P | Q314, 318 | DA221 |
| IC808 | LM301AD | | |
-
- | | |
|---------------------|----------------|
| Q301, 302, 306, | DT1448E |
| Q303, 313, 323, 330 | UM01 |
| Q304, 317, 318 | 28B1182P5 (Q) |
| Q305, 310, 326, | 28C1417 (Q) |
| Q306, 329 | 28C1417 (Q) |
| Q307, 338 | DTA148E |
| Q308, 325 | 28C215 (V) |
| Q311 | DT1448E |
| Q312, 314 | 28C619 (V) |
| Q316, 316 | FMCA |
| Q319, 320 | FM01 |
| Q321 | FM0A |
| Q322, 325 | DTB112X |
| Q324 | 28C4619 (P, Q) |
| Q325 | FM02 |
| Q326, 336 | UM02 |
| Q338 | DTA148E |



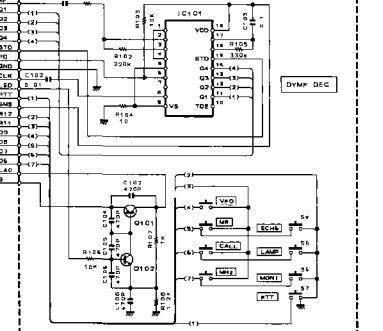
SIGNAL LINE
GND LINE



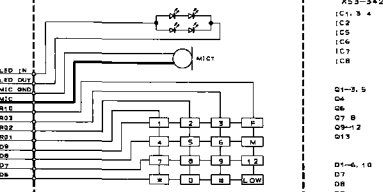
DESTINATION	D2	D3	D5	D6
B-00 (L)	NO	NO	NO	YES
B-01 (C)	YES	YES	YES	YES
B-21 (M)	YES	NO	YES	YES
B-22 (M2)	YES	NO	YES	NO
B-25 (M)	NO	YES	NO	NO
B-27 (E)	NO	YES	YES	YES
B-28 (E2)	NO	YES	YES	NO

IC101 Q988102F1
 IC102 RC4617(B)
 IC101 28P118295(0)

PTT-CONTROL UNIT (X53-342X-XX) B/S



16KEY EPC J02-0021-05



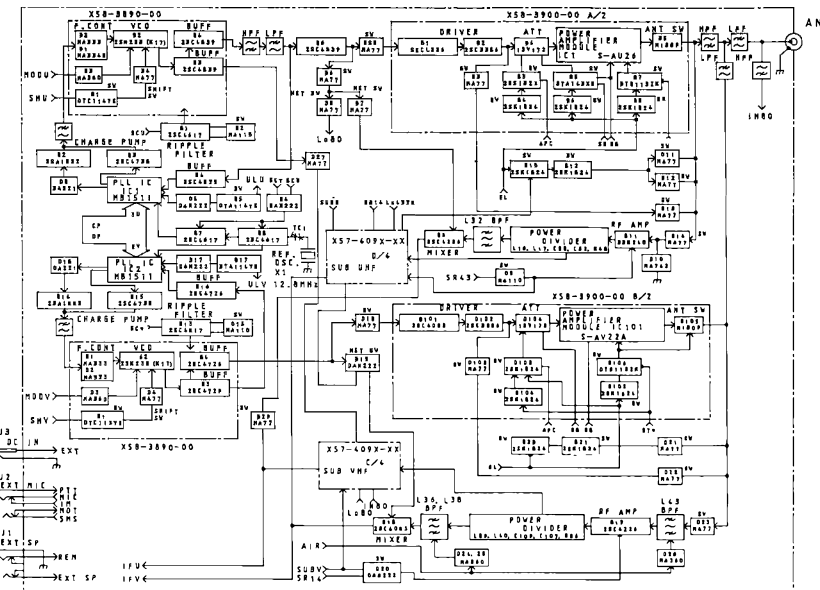
X42-3050-00
 EE PROM (OPTION)

- X53-342X-XX A/5
- IC1-3 4 BU4068P
- IC2 OS12675-10
- IC3 AP05570P
- IC4 S-8054ALN-N
- IC7 HD407427H
- IC8 W85C66WB3
- Q1-3, 5 25C4617(R)
- Q4 UM2
- Q6 CY422REU
- Q7 B DTC144E
- Q8-9 UM4
- Q13 2S1-44 (GR)
- D1-4, 10 MA110
- D7 1M81E
- D8 MA741M
- D9
- D11, 12
- D13-16
- D17, 18 DA221

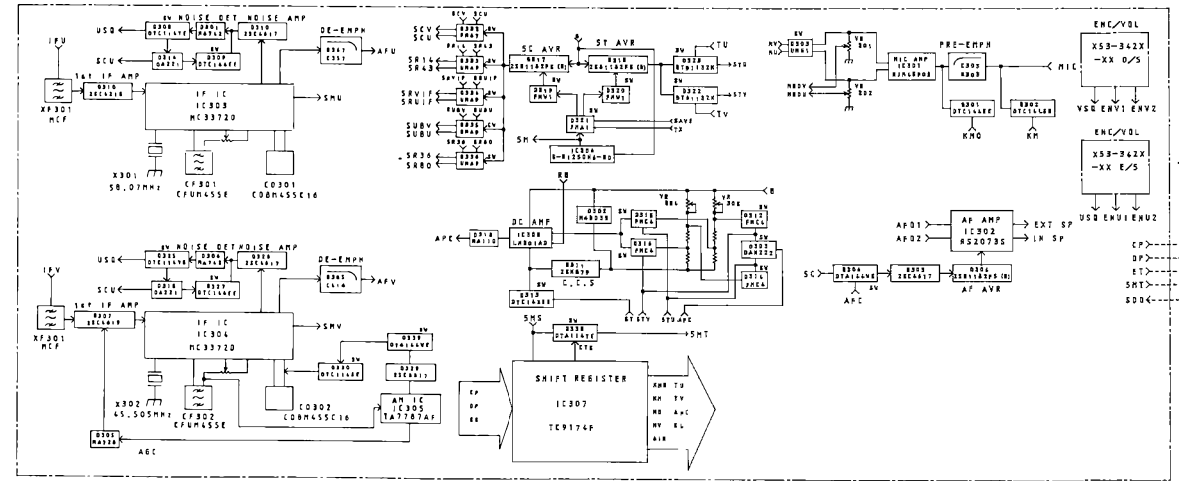
Note:
 Circuit is subject to change without notice due to advancements in technology.

TH-78A/E BLOCK DIAGRAM

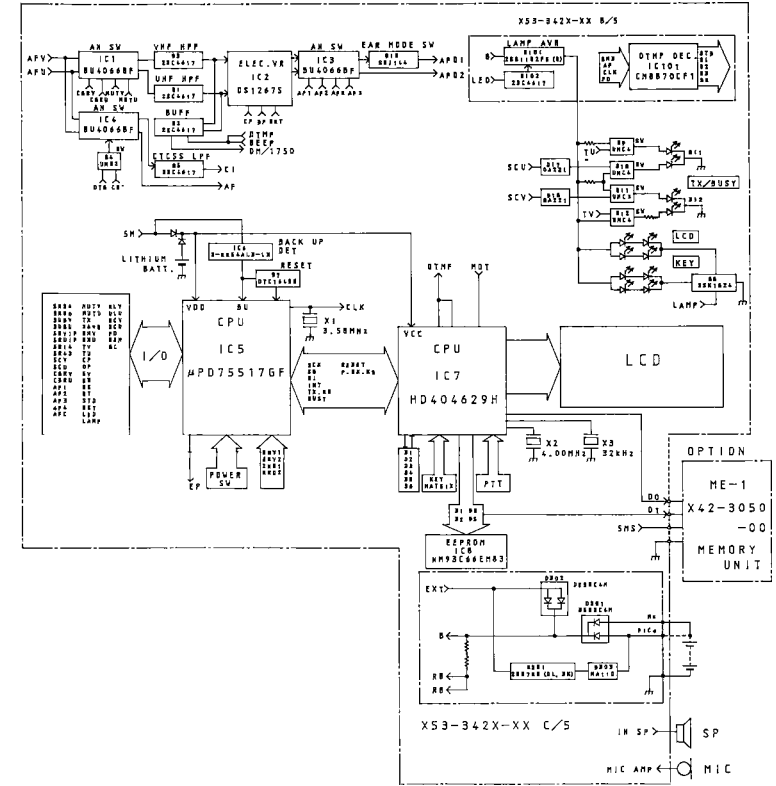
X57-409X-XX B/4



X57-409X-XX A/4



X53-342X-XX A/5



Note: Circuit is subject to change without notice due to advancements in technology.