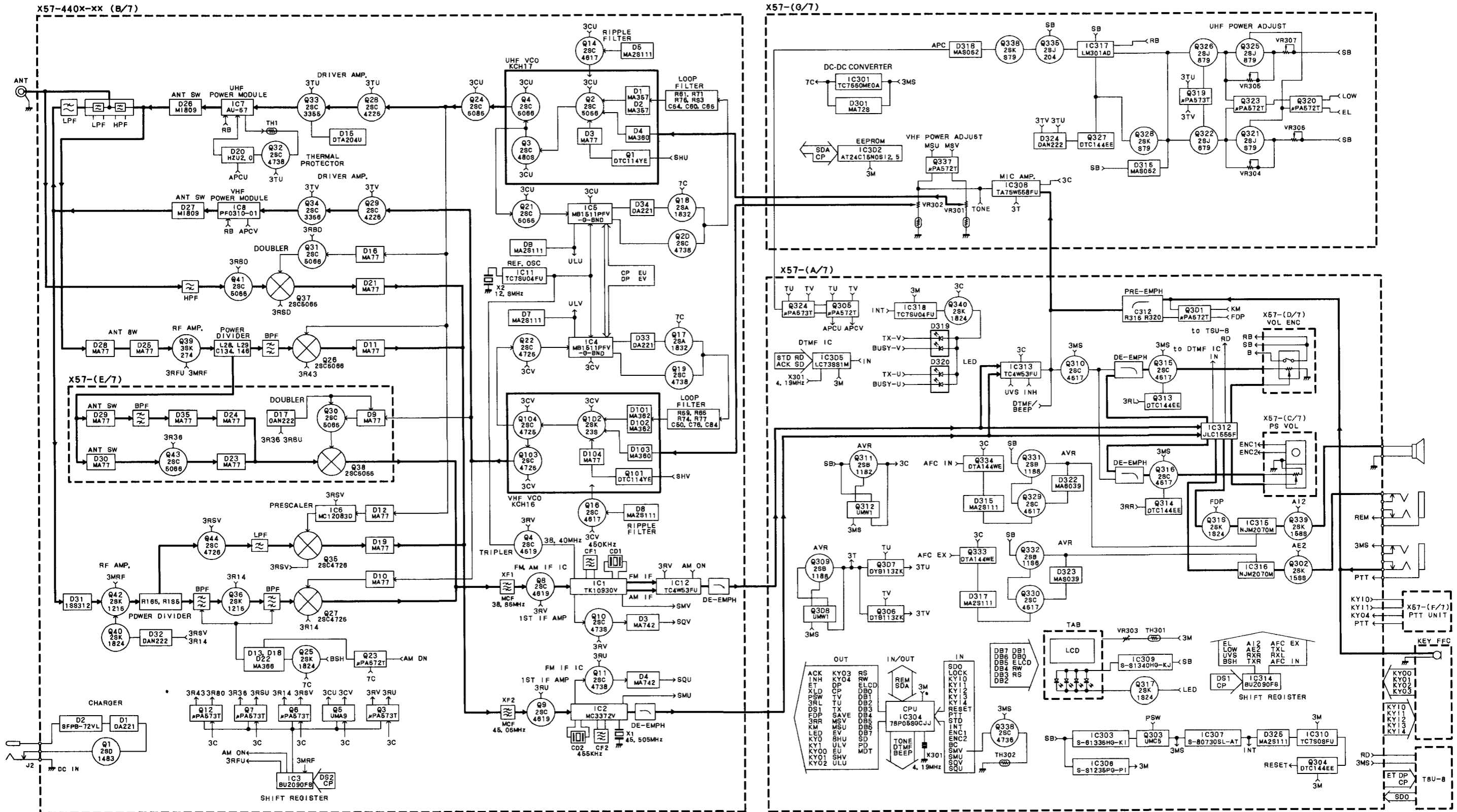


# BLOCK DIAGRAM



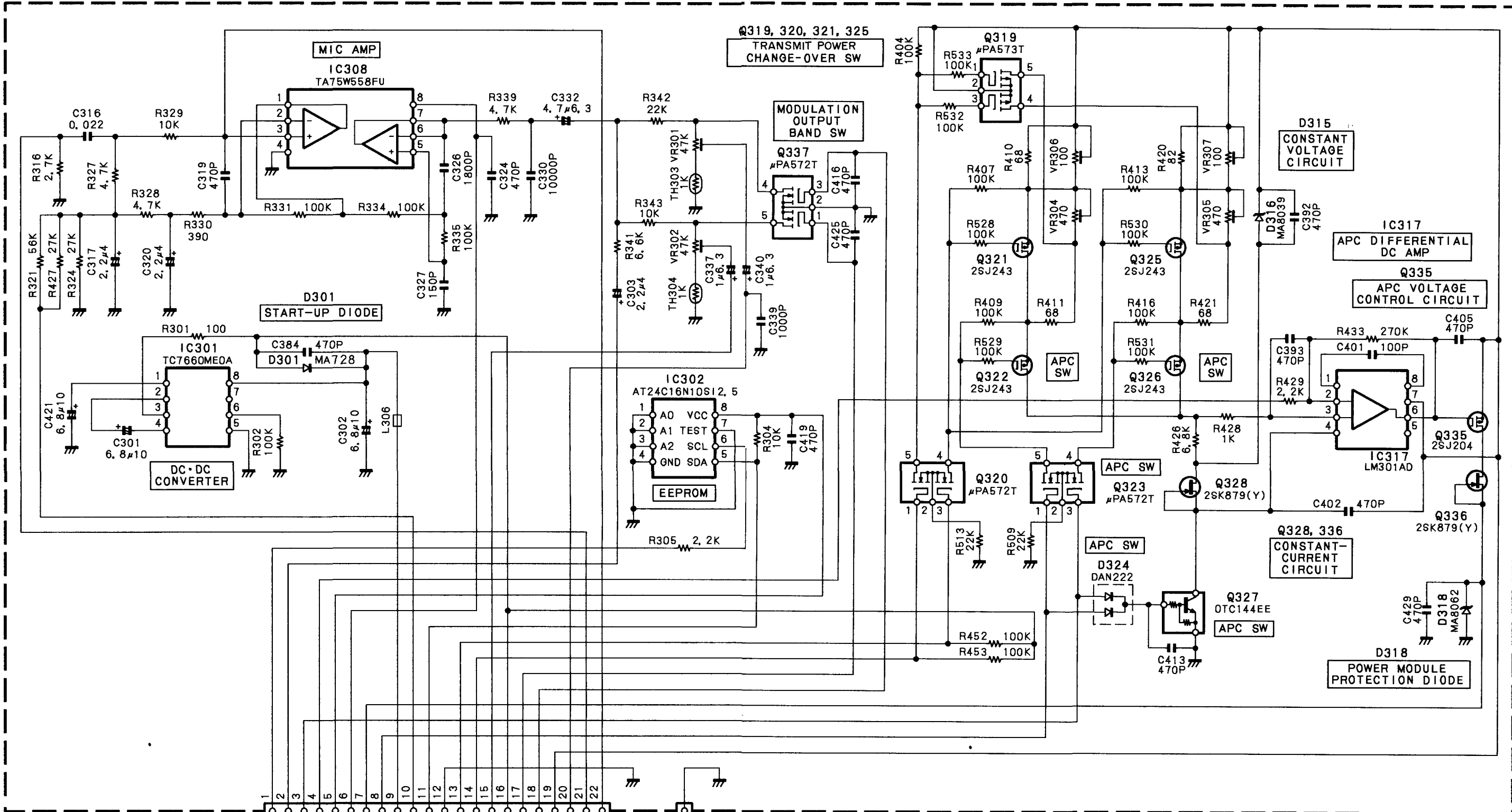
Scan&Edit UA6AP

TH-79A/E

Note: Circuits are subject to change without notice due to advancements in technology.

**SCHEMATIC DIAGRAM (3/3)**

**(X57-440X-XX) (0/7) CONTROL DAUGHTER UNIT**



CN307  
 1 CP  
 2 TONE  
 3 3TU  
 4 RB  
 5 3M  
 6 3T  
 7 APC  
 8 7C  
 9 3C  
 10 SDA  
 11 GND  
 12 EL  
 13 LOW  
 14 MDV  
 15 3MS  
 16 MSV  
 17 MSU  
 18 SB  
 19 MDU  
 20 MIN  
 21 X IN  
 22

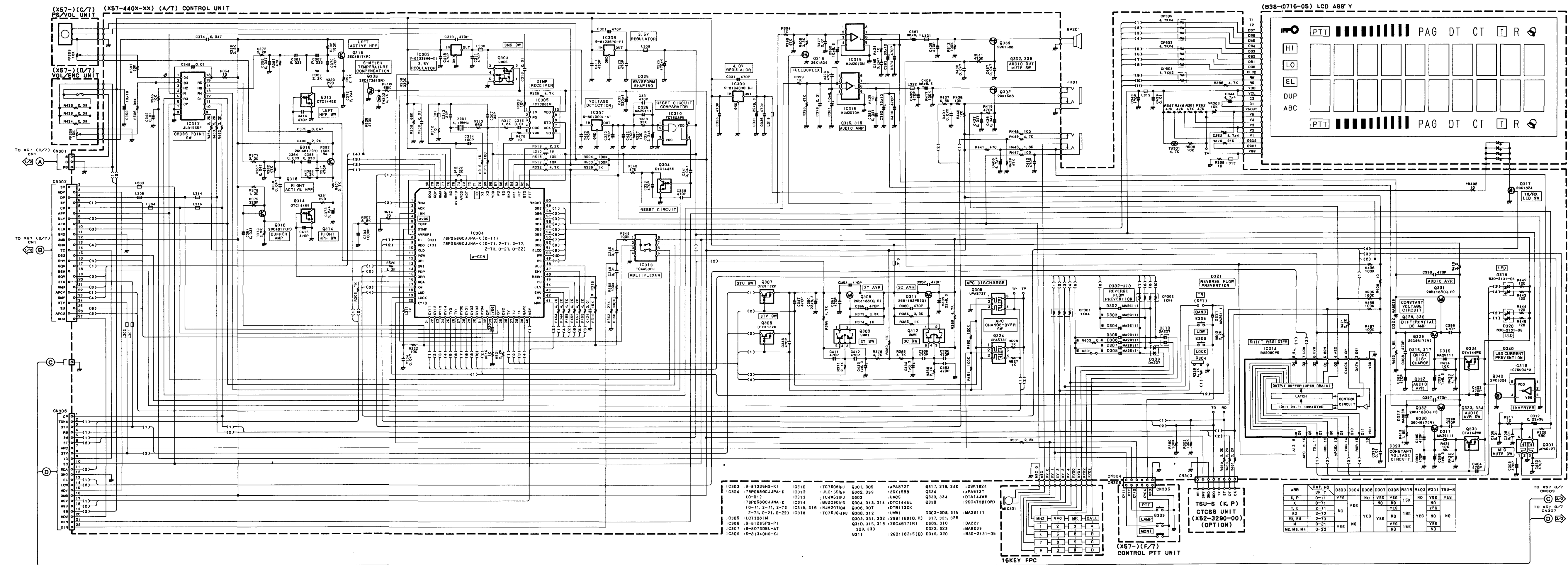
CN309

IC301	: TC7660ME0A	Q319	: μPA573T	D301	: MA728
IC302	: AT24C16N10S12.5	Q320, 323, 337	: μPA572T	D316	: MA8039
IC308	: TA75W558FU	Q321, 322, 325, 326	: 2SJ243	D318	: MA8062
IC317	: LM301AD	Q327	: DTC144EE	D324	: DAN222
		Q328, 336	: 2SK879(Y)		
		Q335	: 2SJ204		

TO X57 A/7  
 2/3 C

TO X57 A/7  
 CN309  
 2/3 D

Note: Circuits are subject to change without notice due to advancements in technology.



IC303	8-81335H0-K	IC310	TC7808FU	Q301, 305	PA572T	Q317, 318, 340	28K1824
IC304	78P0580CJJA-K	IC312	JLC1656F	Q302, 339	28K1588	Q324	PA573T
	(0-1)	IC313	TC4W63FU	Q303	UM05	Q323, 334	DTA144WE
	(0-71, 2-71, 2-72)	IC314	BU2090P	Q304, 313, 314	DTC144EE	Q328, 334	28C4738(OR)
	(0-71, 2-71, 2-72)	IC315, 316	NM2070M	Q306, 307	DTB1132K	Q329	28C4738(OR)
	(2-73, 0-21, 0-22)	IC318	TC78004FU	Q308, 312	UMM1	D302-308, 315	MA28111
IC305	LC73881M			Q309, 331, 332	28B1188(Q, R)	Q317, 321, 325	
IC306	8-81235P0-P1			IC310, 315, 316	28C4617(R)	Q309, 310	DA27
IC307	8-807308L-AT			Q322, 323	MA8039		
IC309	8-81340H0-KJ			Q311	28B1182F5(Q)	Q319, 320	B30-2131-05

ABB	Ref. NO	D303	D304	D308	D307	D308	R318	R403	W310	TSU-8
K, P	0-71	YES		NO	YES	YES	15K	NO	YES	YES
X	0-71			NO	NO	NO		NO	NO	NO
Y, E	2-71		YES					NO	YES	NO
E2	2-72							NO	YES	NO
E3, E9	2-73			YES	YES			YES	NO	NO
M	0-21	YES	NO					YES	YES	NO
M2, M3, M4	0-22							NO	NO	NO

TSU-8 (K, P)  
CTCS UNIT  
(X52-3290-00)  
(OPTION)

