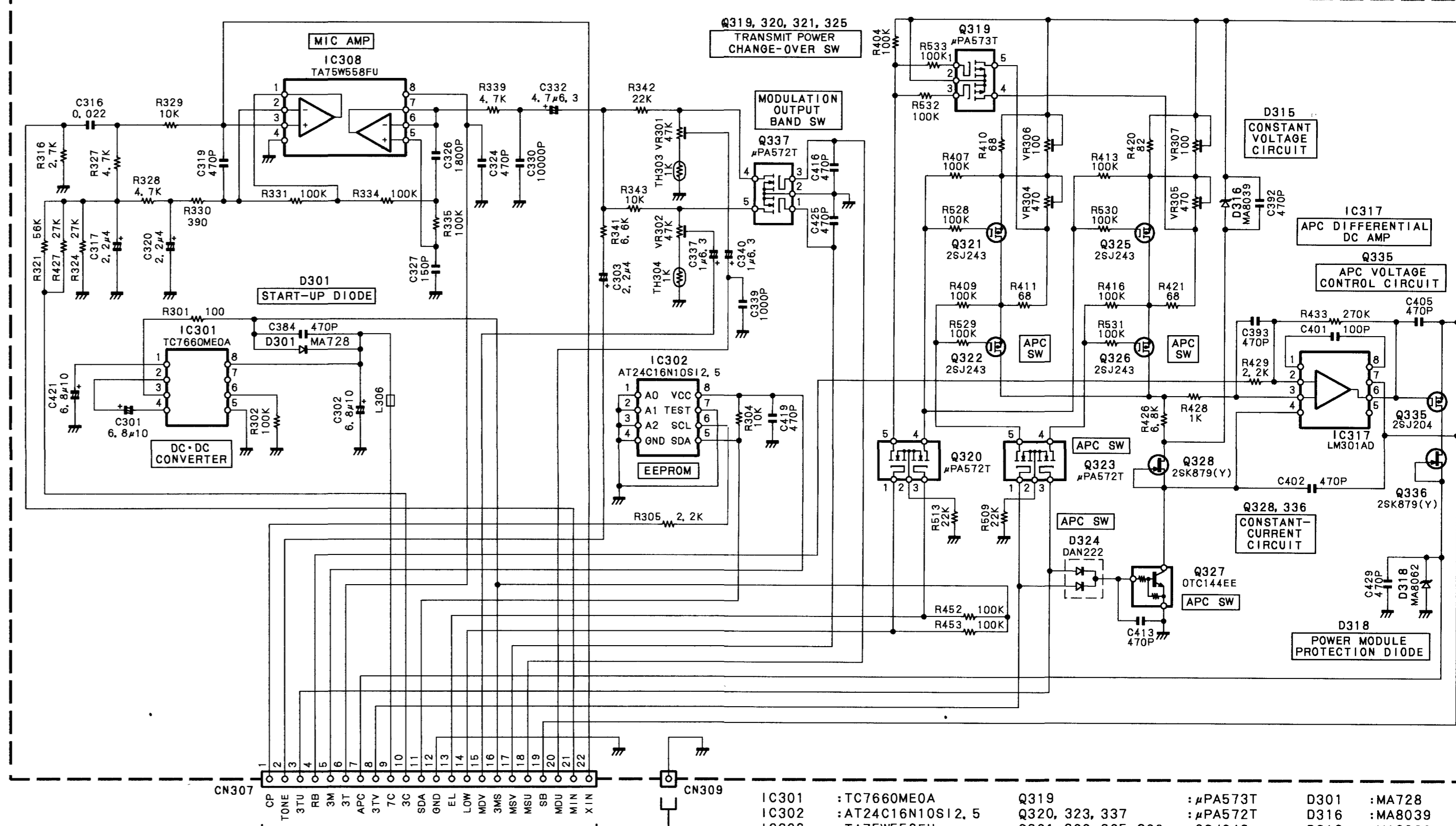
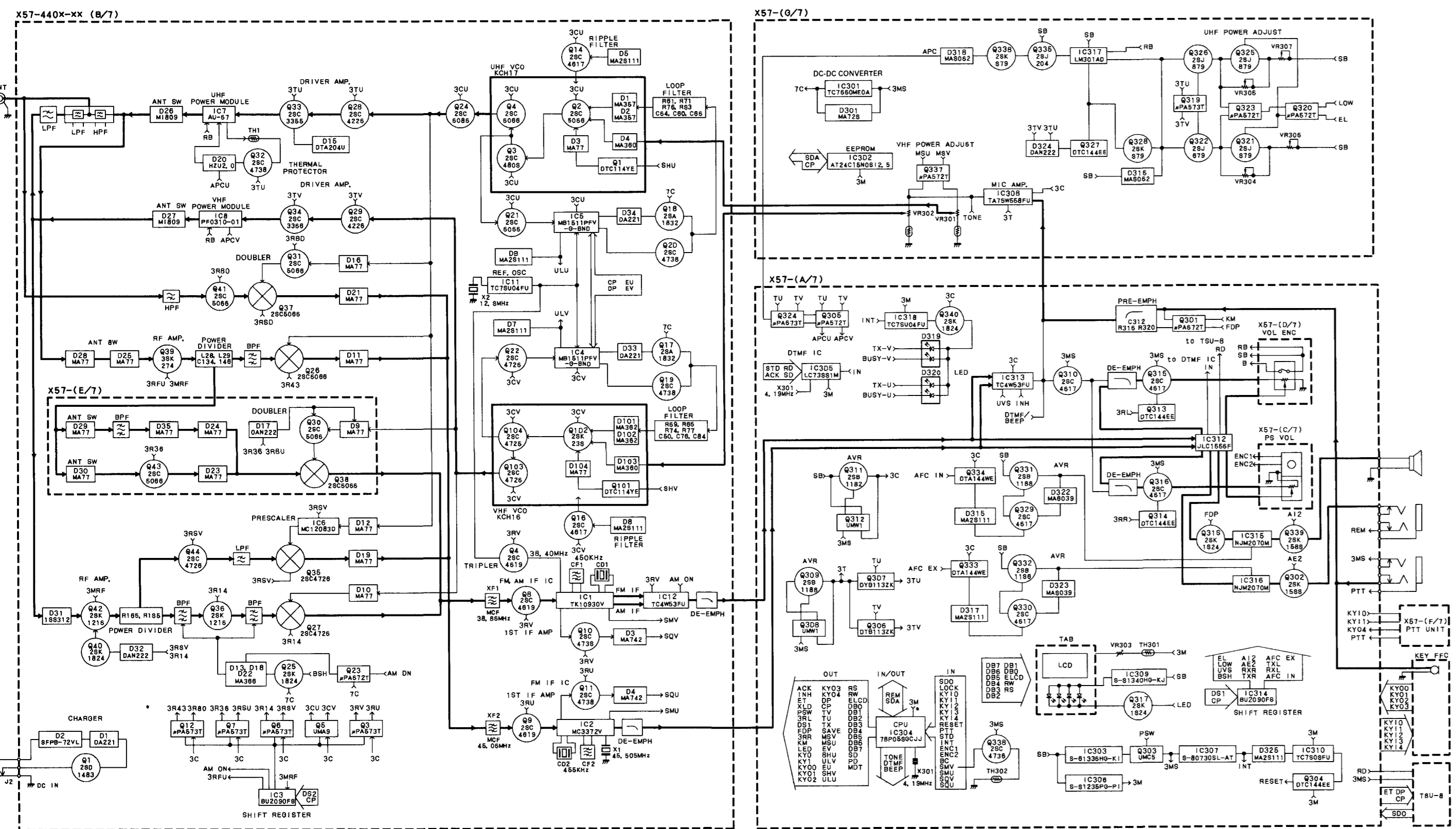


BLOCK DIAGRAM

SCHEMATIC DIAGRAM (3/3)

(X57-440X-XX) (G/7) CONTROL DAUGHTER UNIT



Scan&Edit UA6AP

TO X57 A/7
 TO X57 A/7
 CN309

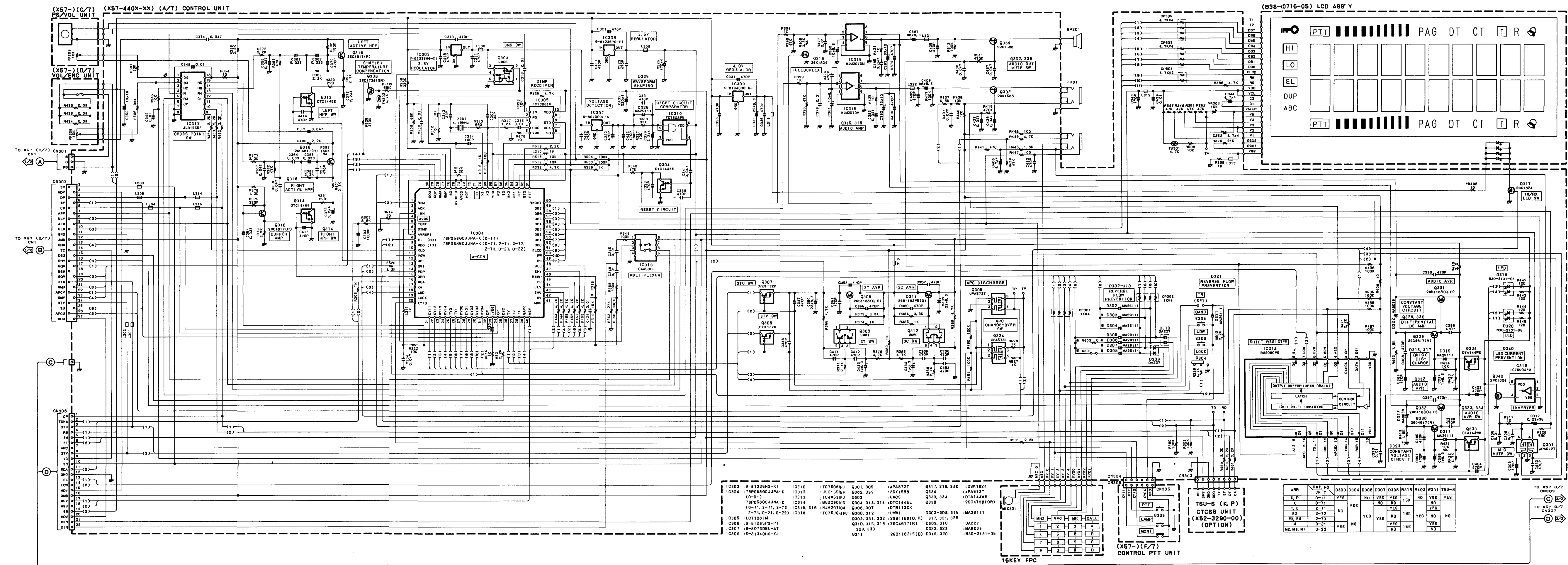
IC301	: TC7660ME0A	Q319	: #PA573T	D301	: MA728
IC302	: AT24C16N10S1, 2, 5	Q320, 323, 337	: #PA572T	D316	: MA8039
IC308	: TA75W558FU	Q321, 322, 325, 326	: 2SJ243	D318	: MA8062
IC317	: LM301AD	Q327	: DTC144EE	D324	: DAN222
		Q328, 336	: 2SK879(Y)		
		Q335	: 2SJ204		

TH-79A/E

TH-79A/E (2/2)

Note: Circuits are subject to change without notice due to advancements in technology.

Note: Circuits are subject to change without notice due to advancements in technology.



IC303	8-81335H0-K	IC310	TC7808FU	Q301, 305	PA572T	Q317, 318, 340	28K1824
IC304	78P0580CJJA-K	IC312	JLC1655F	Q302, 339	28K1588	Q324	PA573T
	(0-1)	IC313	TC4W63FU	Q303	UM05	Q323, 334	DTA144WE
	(0-71, 2-71, 2-72)	IC314	BU2090P	Q304, 313, 314	DTC144EE	Q328, 333	28C4738(OR)
	(0-71, 2-71, 2-72)	IC315, 316	NM2070M	Q306, 307	DTB1132K	Q338	
	(2-73, 0-21, 0-22)	IC318	TC78U04FU	Q308, 312	UMM1	D302-308, 315	MA28111
IC305	LC73881M			Q309, 331, 332	28B1188(Q, R)	Q317, 321, 325	
IC306	8-81235P0-P			IC310, 315, 316	28C4617(R)	Q309, 310	DA27
IC307	8-807308L-AT			Q322, 323	MA8039		
IC309	8-81340H0-KJ			Q311	28B1182F5(Q)	Q319, 320	B30-2131-05

ABB	Ref. NO	D303	D304	D308	D307	D308	R318	R403	W310	TSU-8
K, P	0-71	YES		NO	YES	YES	15K	NO	YES	YES
X	0-71			NO	NO	NO		NO	NO	NO
Y, E	2-71		YES					NO	YES	NO
E2	2-72							NO	YES	NO
E3, E9	2-73			YES	YES	YES		YES	NO	NO
M	0-21	YES	NO					YES	YES	NO
M2, M3, M4	0-22							NO	NO	NO

TSU-8 (K, P)
CTCS UNIT
(X52-3290-00)
(OPTION)

REF. NO	L20	L28, 38, 41	L34	C102	C232	C120, 138, 143, 151, 154, 174	R194	R125, 134, 149, 154, 160	D21	Q31, 37, 41
ABB	L78-1108-05	NO	L45	5P	2P	NO	NO	NO	NO	NO
X, T, E, E2, E3, E9, M, M2, M3, M4	L78-1108-05	YES	15a	3P	1, 5P	YES	NO	YES	YES	YES

IC1	TK10930V	IC6	MC12083D	IC10	KCH16	Q1	2D1483	Q10, 11, 19,	28C4738(OR)	Q21, 24, 26,	28C6066(O)	Q23	PAE727	Q33, 34	28C3356	D1, 14, 33, 34	DA221	D9- 12, 16, 19, 21, 23-25	MA77	D17, 32	DAN222
IC2	MC3372V	IC7	4A-5T	IC11	T78U04FU	Q3, 6, 7, 12	PAE73T	20, 32	4A-5T	30, 31, 37,	28C4228(R24)	Q25, 40	PAE727	Q36, 42	28K1215(E)	D2	SFPB-72VL	28- 30, 35	HZU2.0	D20	HZU2.0
IC3	BU2090FS	IC8	PF0310-01	IC12	TCW53FU	Q4, 8, 9	2C4619	Q14, 16	28C4617(R)	36, 41, 43,	28C4726(P, Q)	Q28	28C4226(R24)	Q39	36K274	D3, 4	MA742	D13, 18, 22	MA368	D26, 27	M1809
IC4, 5	MB1511PFV-0-BND	IC9	KCH17	Q5	UM9A	Q17, 18	28A1832(OR)	Q22, 27, 35, 44	28C4726(P, Q)	Q29	28C4083(N, P)	Q29	28C4083(N, P)	Q29	28C4083(N, P)	D5-8	MA2811	D15	DA204U	D31	189312

