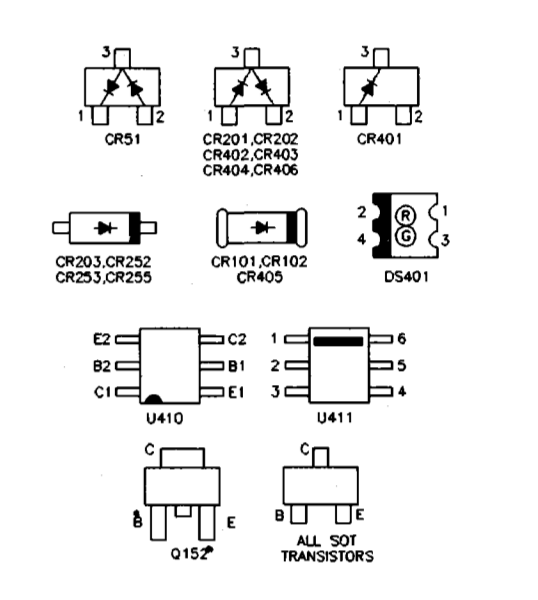
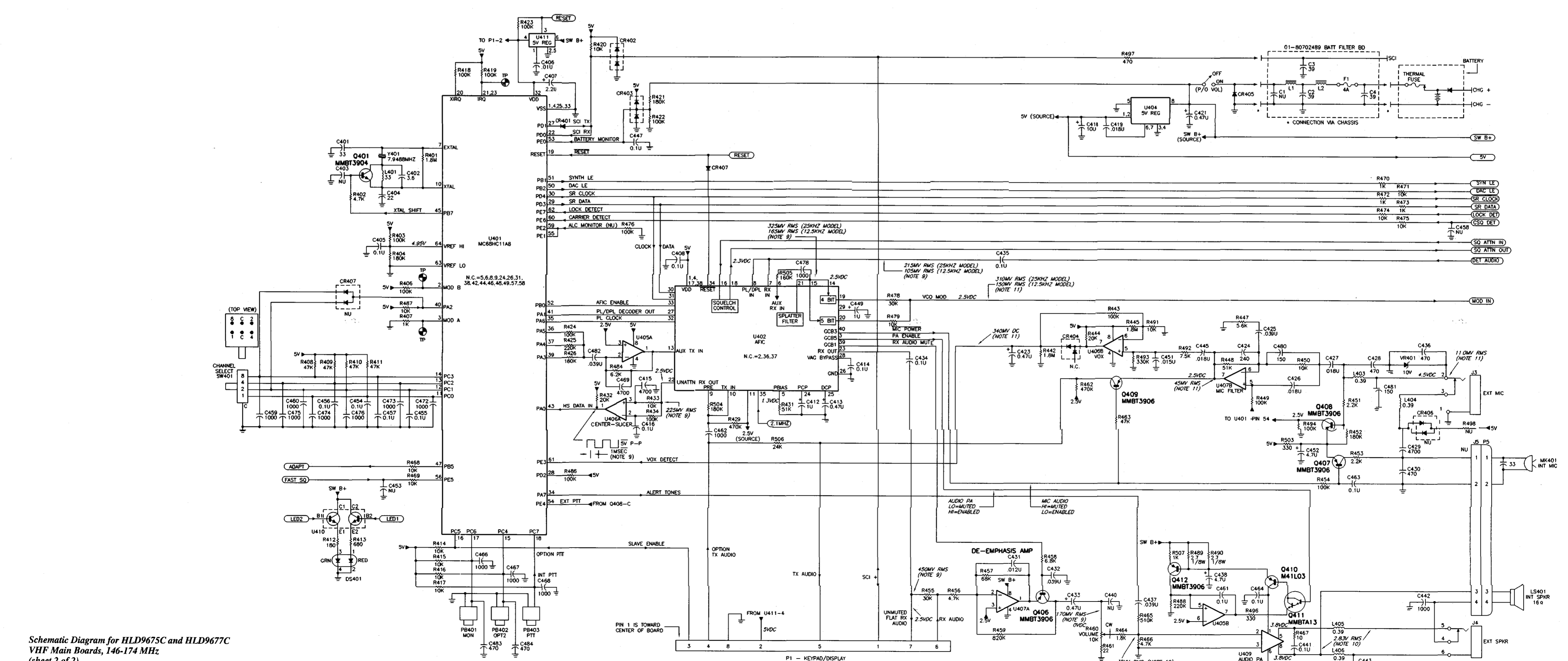


- NOTES:
- UNLESS OTHERWISE INDICATED, RESISTOR VALUES ARE IN OHMS. CAPACITOR VALUES ARE IN MICROFARADS. INDUCTOR VALUES ARE IN MICROHENRIES.
  - NON-POLARIZED CAPACITORS ARE CHIP-TYPE UNLESS OTHERWISE INDICATED.
  - POLARIZED CAPACITORS ARE CHIP-TANTALUM TYPE UNLESS OTHERWISE INDICATED.
  - "NLT" MEANS COMPONENT IS NOT USED.
  - DC VOLTAGES ARE MEASURED WITH A HIGH IMPEDANCE (10 MEGOHM) DC VOLTMETER.
  - AC VOLTAGES ARE MEASURED WITH A HIGH IMPEDANCE AC RMS VOLTMETER.
  - ALL VOLTAGE MEASUREMENTS ARE IN THE RECEIVE MODE UNLESS INDICATED AS FOLLOWS:
    - RECEIVE MODE
    - TRANSMIT MODE
  - MEASURED IN THE RECEIVE MODE WITH AN ON-CHANNEL UNMODULATED SIGNAL AT A LEVEL OF -20 DBM.
  - MEASURED IN THE RECEIVE MODE WITH AN ON-CHANNEL SIGNAL AT A LEVEL OF -20 DBM, MODULATED WITH 1 KHZ AT 3 KHZ DEVIATION (FOR 20/25 KHZ MODELS) OR 15 KHZ DEVIATION (FOR 12.5 KHZ MODELS). MEASURED WITH AN AC RMS VOLTMETER.
  - SAME AS NOTE 8 EXCEPT WITH VOLUME CONTROL ADJUSTED FOR 500 MILLIWATTS (2.82 VOLTS RMS ACROSS 16-OHM LOAD CONNECTED TO THE EXT SPKR JACK).
  - MEASURED IN THE TRANSMIT MODE WITH A 1.942, 11 MV RMS SIGNAL APPLIED TO THE EXTERNAL MICROPHONE INPUT.



Schematic Diagram for HLD9675C and HLD9677C VHF Main Boards, 146-174 MHz (sheet 1 of 2)



Schematic Diagram for HLD9675C and HLD9677C VHF Main Boards, 146-174 MHz (sheet 2 of 2)