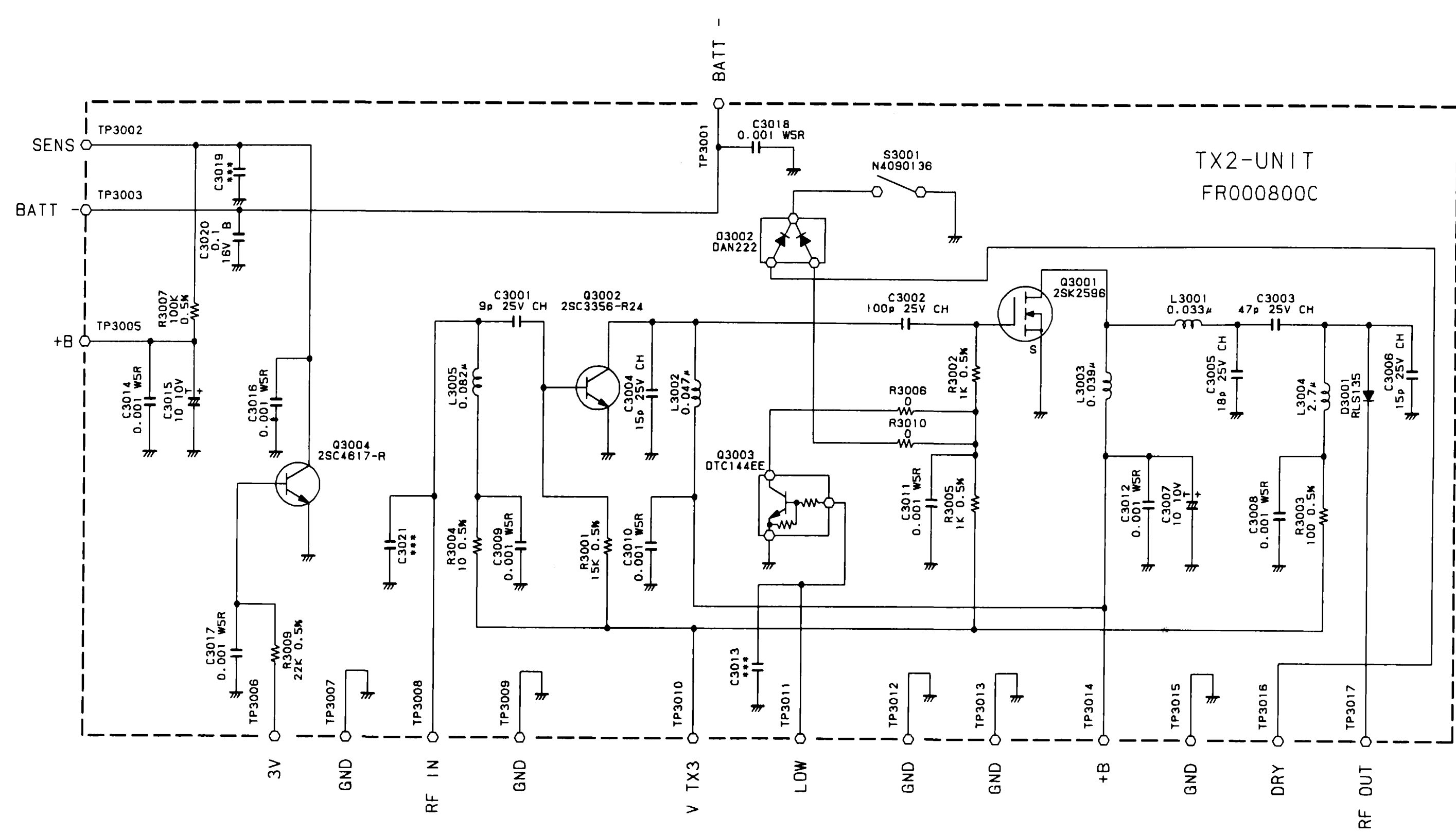
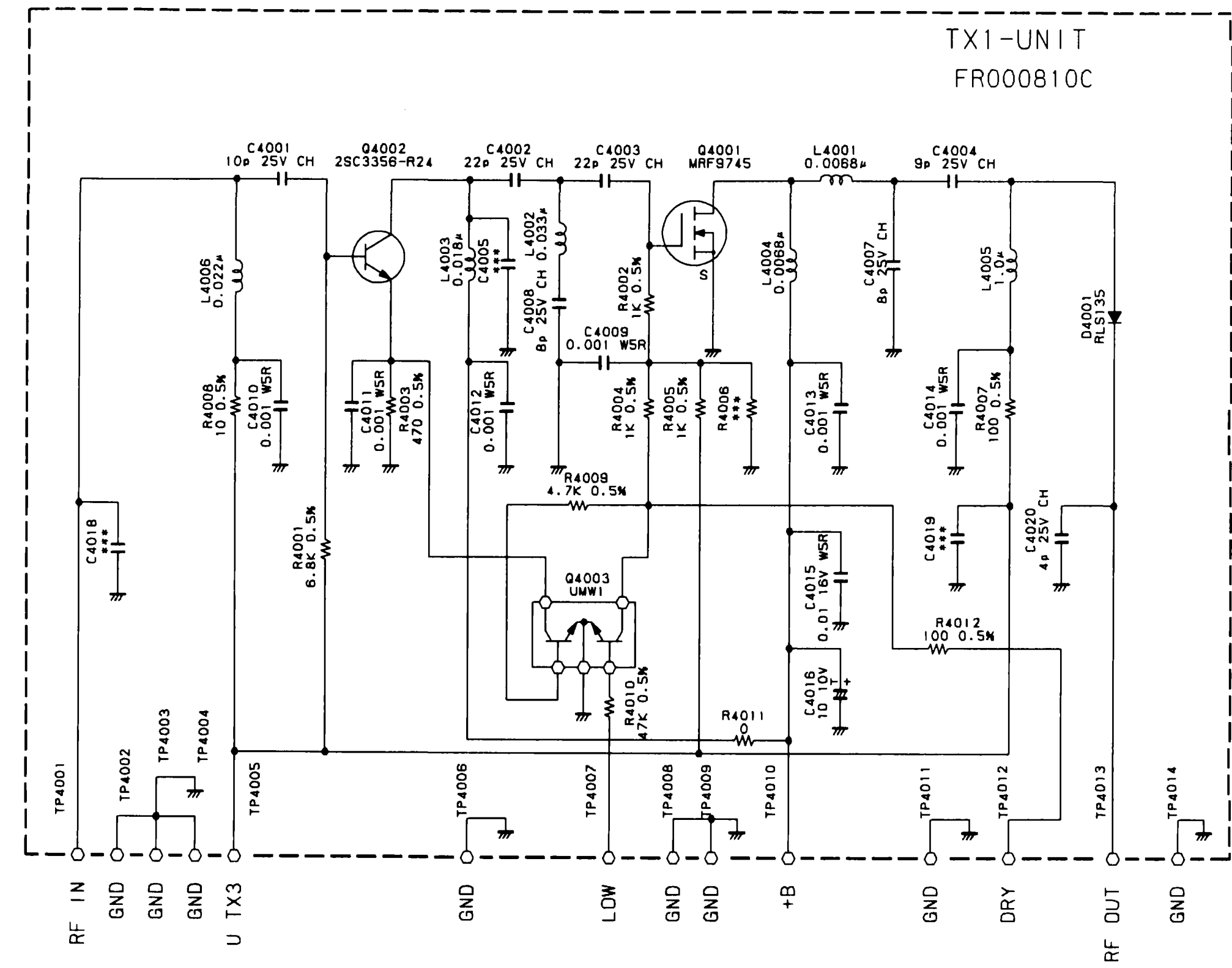


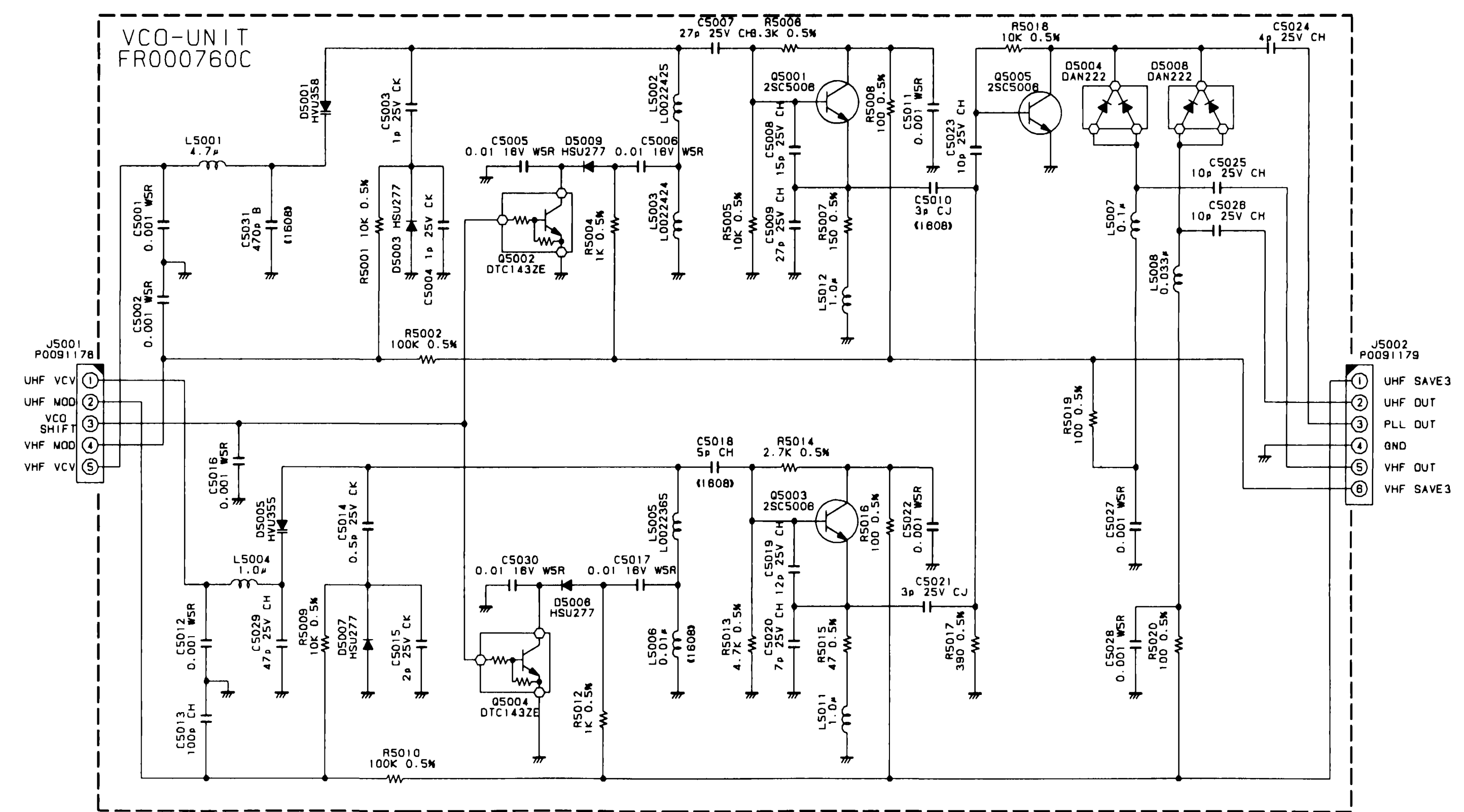
VX-1R Circuit Diagram



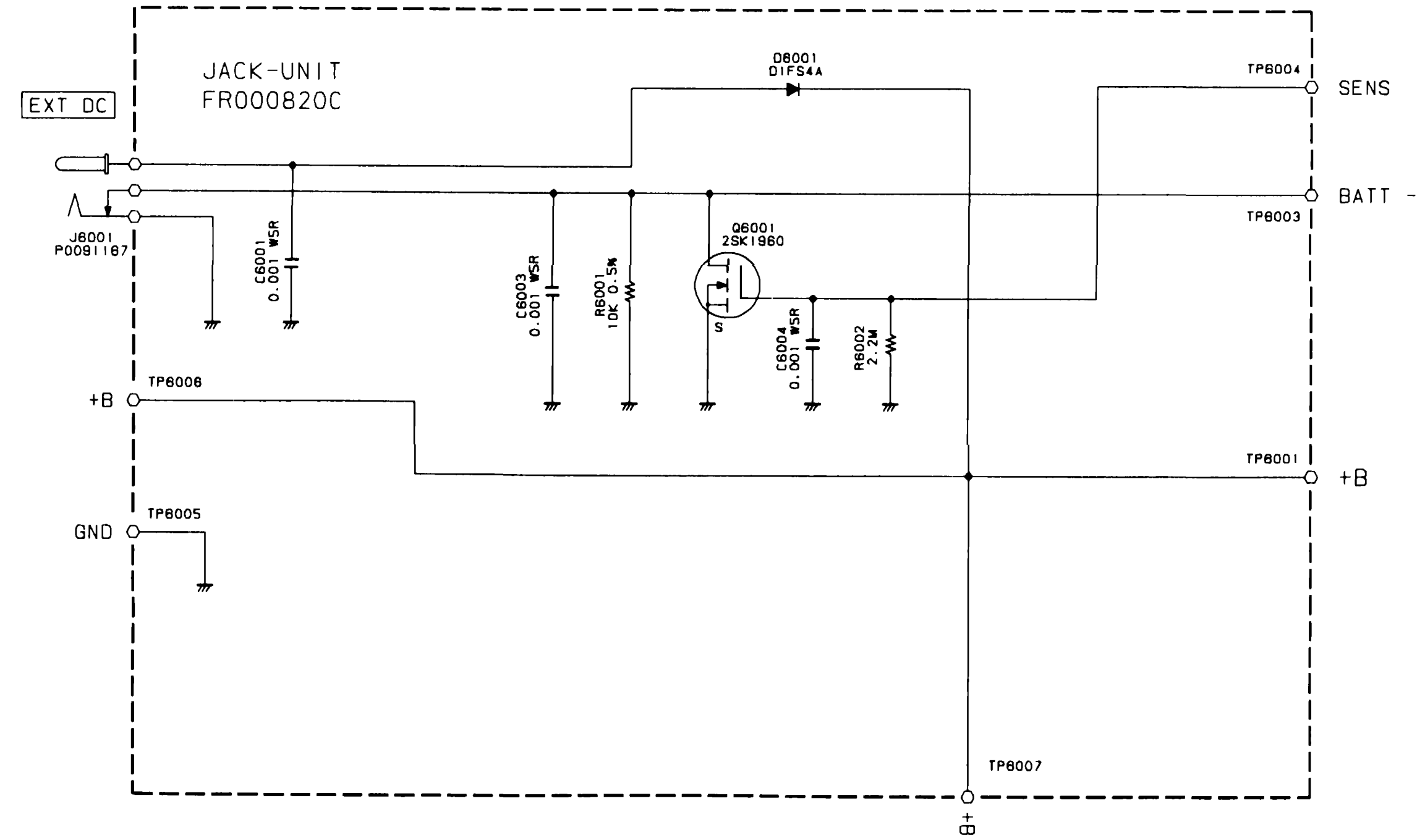
NOTE:
RESISTOR VALUES ARE IN Ω , 1/16W ;
CAPACITOR VALUES ARE IN μ F, 50V ;
(T) CAPACITOR VALUES ARE TANTALUM ;
INDUCTOR VALUES ARE IN H
UNLESS OTHERWISE NOTED.



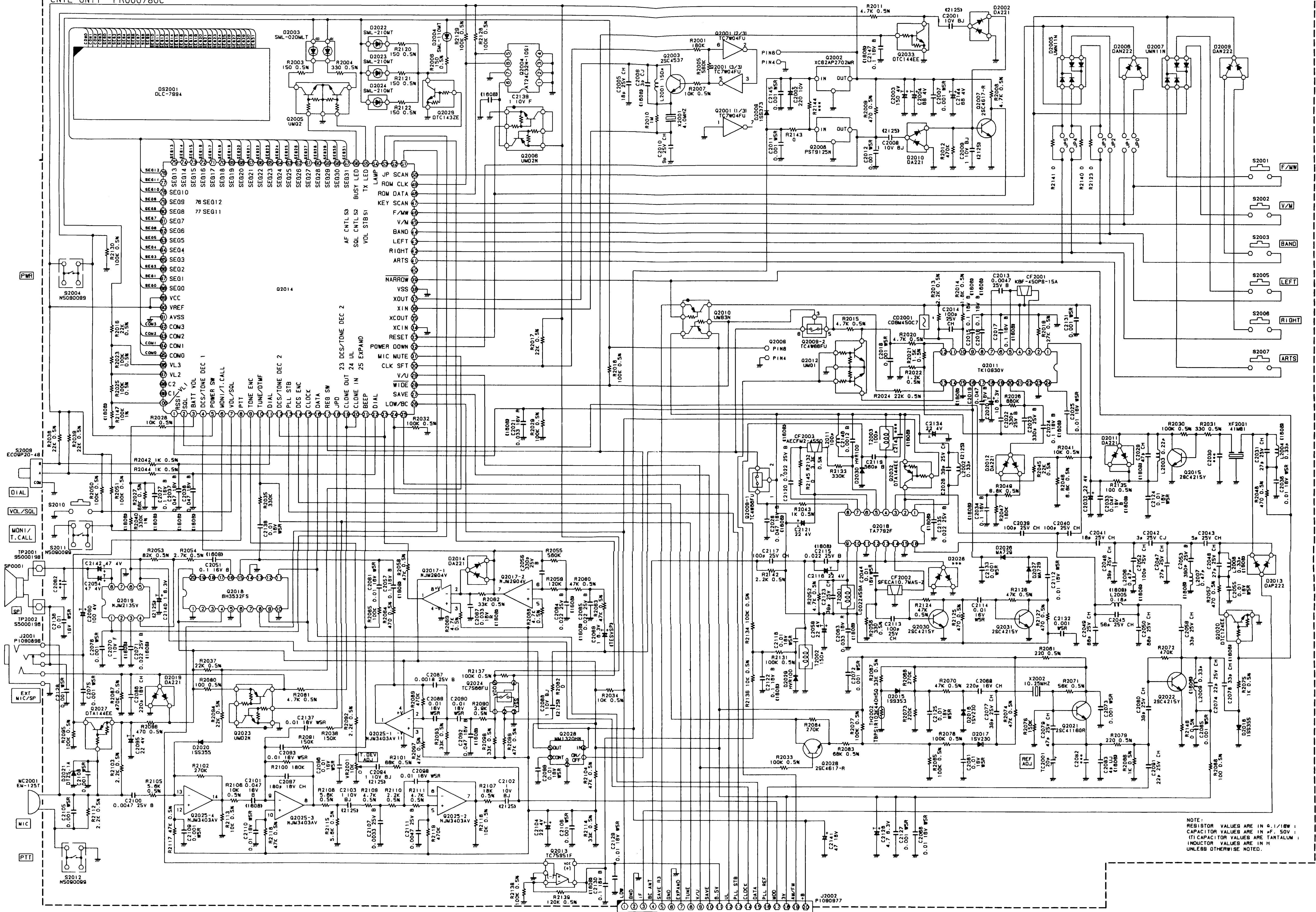
NOTE:
RESISTOR VALUES ARE IN Ω , 1/16W ;
CAPACITOR VALUES ARE IN μ F, 50V ;
(T) CAPACITOR VALUES ARE TANTALUM ;
INDUCTOR VALUES ARE IN H
UNLESS OTHERWISE NOTED.



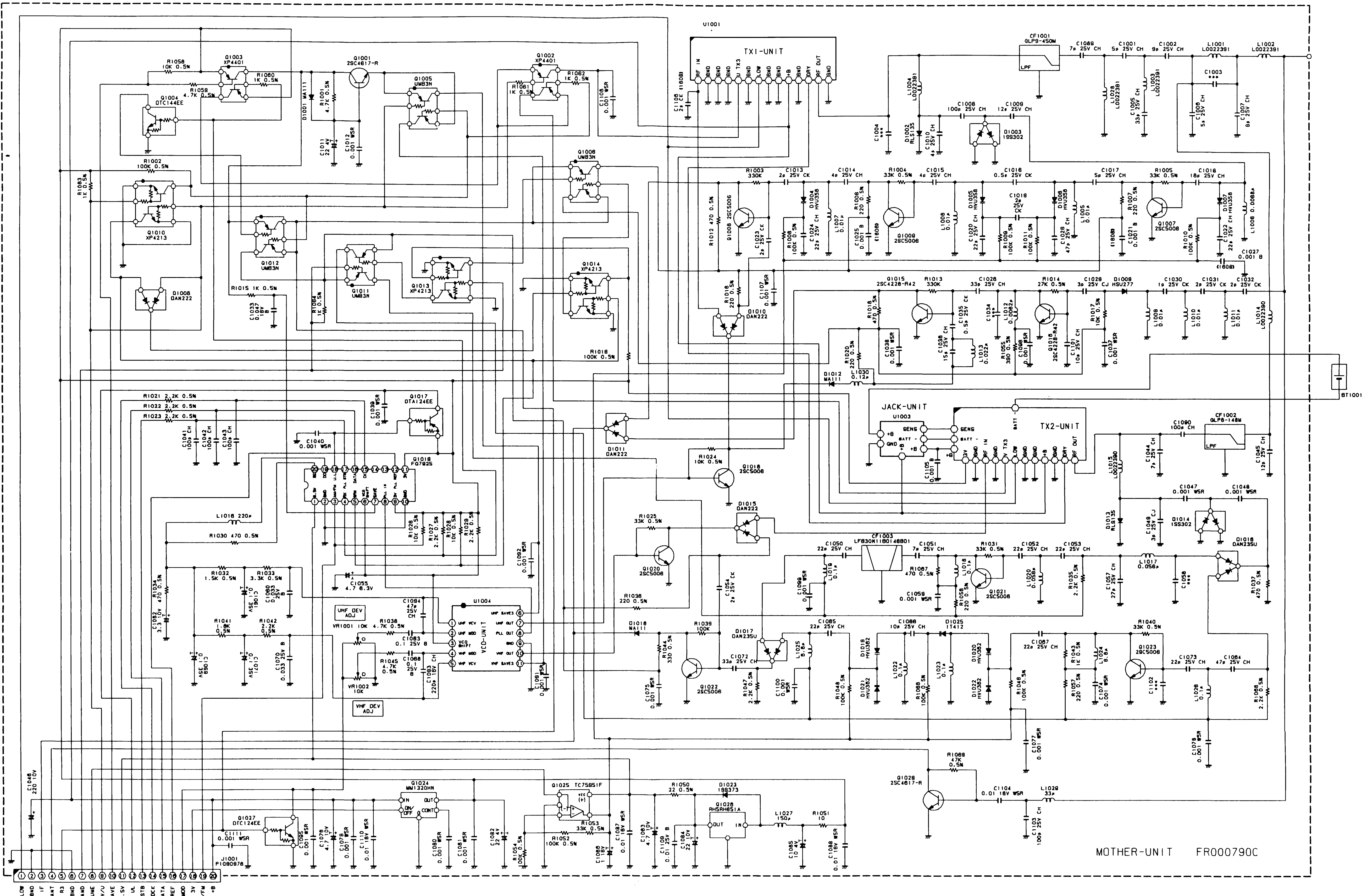
NOTE:
RESISTOR VALUES ARE IN Ω , 1/16W ;
CAPACITOR VALUES ARE IN μ F, 50V ;
(T) CAPACITOR VALUES ARE TANTALUM ;
INDUCTOR VALUES ARE IN H
UNLESS OTHERWISE NOTED.



NOTE:
RESISTOR VALUES ARE IN Ω , 1/16W ;
CAPACITOR VALUES ARE IN μ F, 50V ;
(T) CAPACITOR VALUES ARE TANTALUM ;
INDUCTOR VALUES ARE IN H
UNLESS OTHERWISE NOTED.



NOTE:
 RESISTOR VALUES ARE IN Ω, 1/10Ω, 1/100Ω;
 CAPACITOR VALUES ARE IN P, 50V;
 IF CAPACITOR VALUES ARE IN TANTALUM,
 INDUCTOR VALUES ARE IN H,
 UNLESS OTHERWISE NOTED.



MOTHER-UNIT FR00790C

NOTE:
RESISTOR VALUES ARE IN Ω , 1/10W;
CAPACITOR VALUES ARE IN μ F, 50V;
(T) CAPACITOR VALUES ARE TANTALUM;
INDUCTOR VALUES ARE IN H
UNLESS OTHERWISE NOTED.

- 1 2 3 4 5 6 7 8 9 10 11 12 13 14 15 16 17 18 19 20
- LOW
- BND
- IF
- BC ANT
- SAVE RS
- BND
- EXPAND
- TUNE
- V/U
- SAVE
- 8.5V
- UL
- PLL STB
- CLOCK
- DATA
- PLL REF
- MOD
- AM/FM
- *B