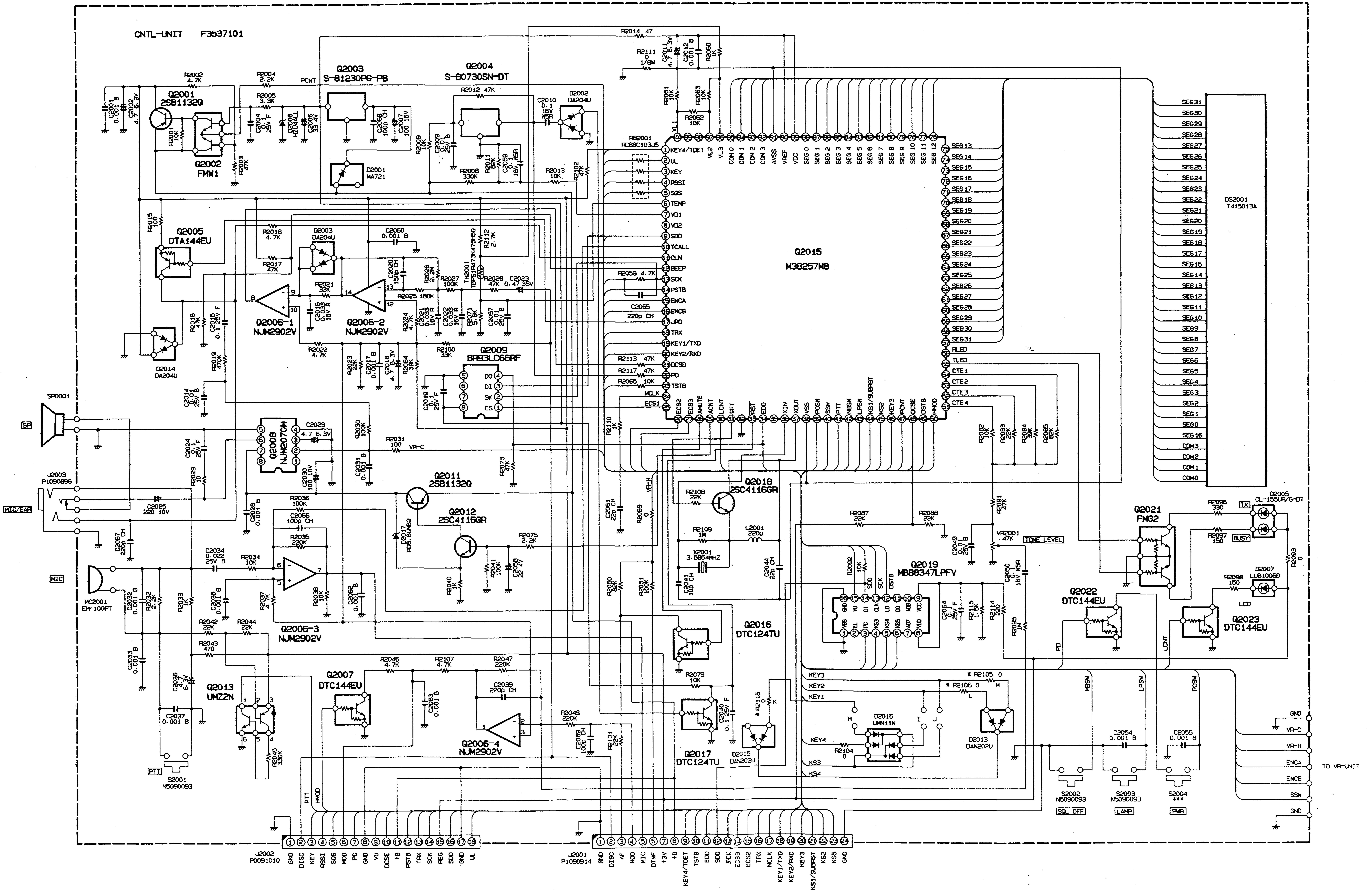


FT-10R Circuit Diagram



RF UNIT F3539101

VCO SHIELD CASE

NOTE:
RESISTOR VALUES ARE IN Ω, 1/16W ;
CAPACITOR VALUES ARE IN μF, 50V ;
TD CAPACITOR VALUES ARE TANTALUM ;
INDUCTOR VALUES ARE IN μH
UNLESS OTHERWISE NOTED.

