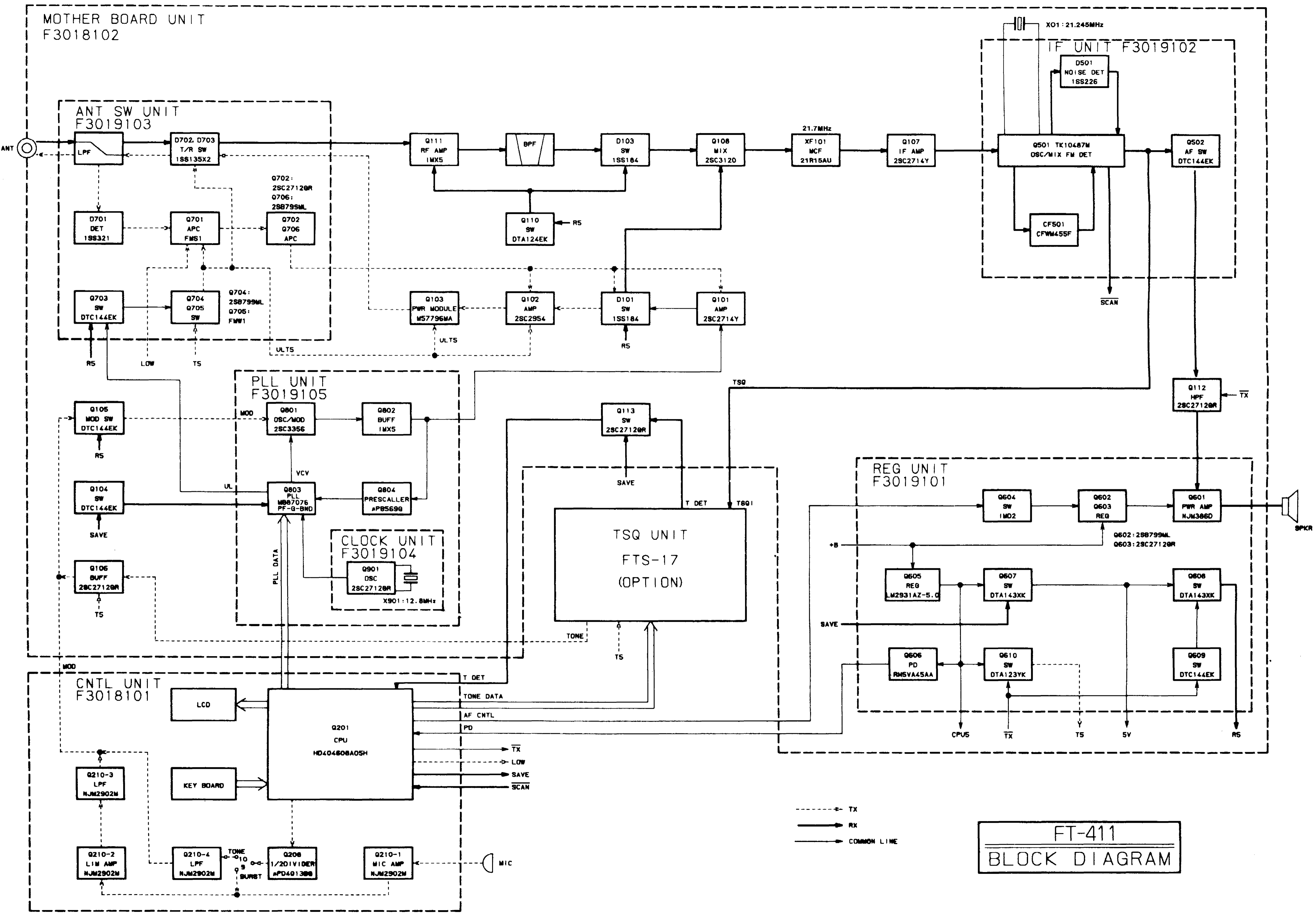
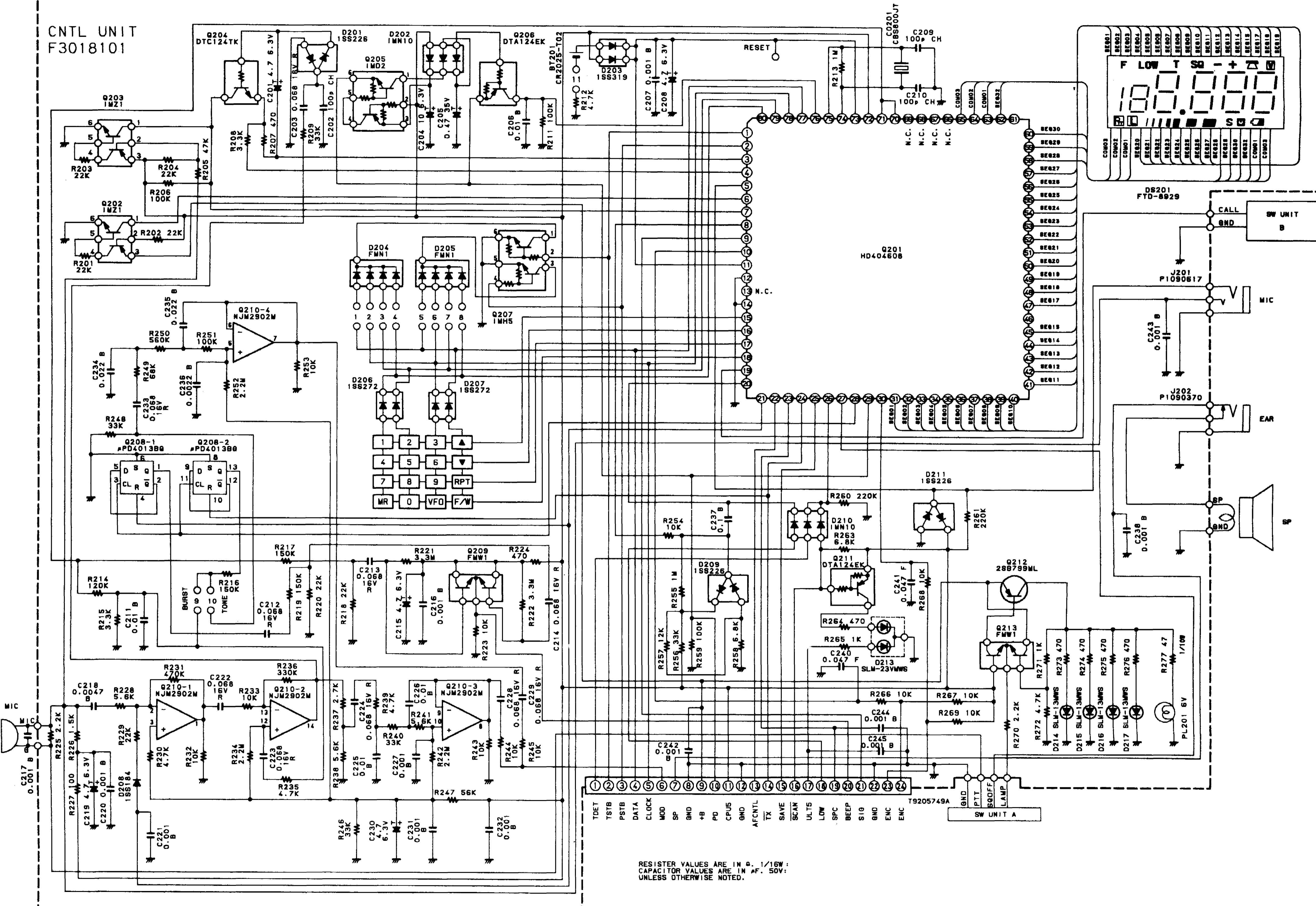


MOTHER BOARD UNIT
F3018102



CNTL UNIT
F3018101

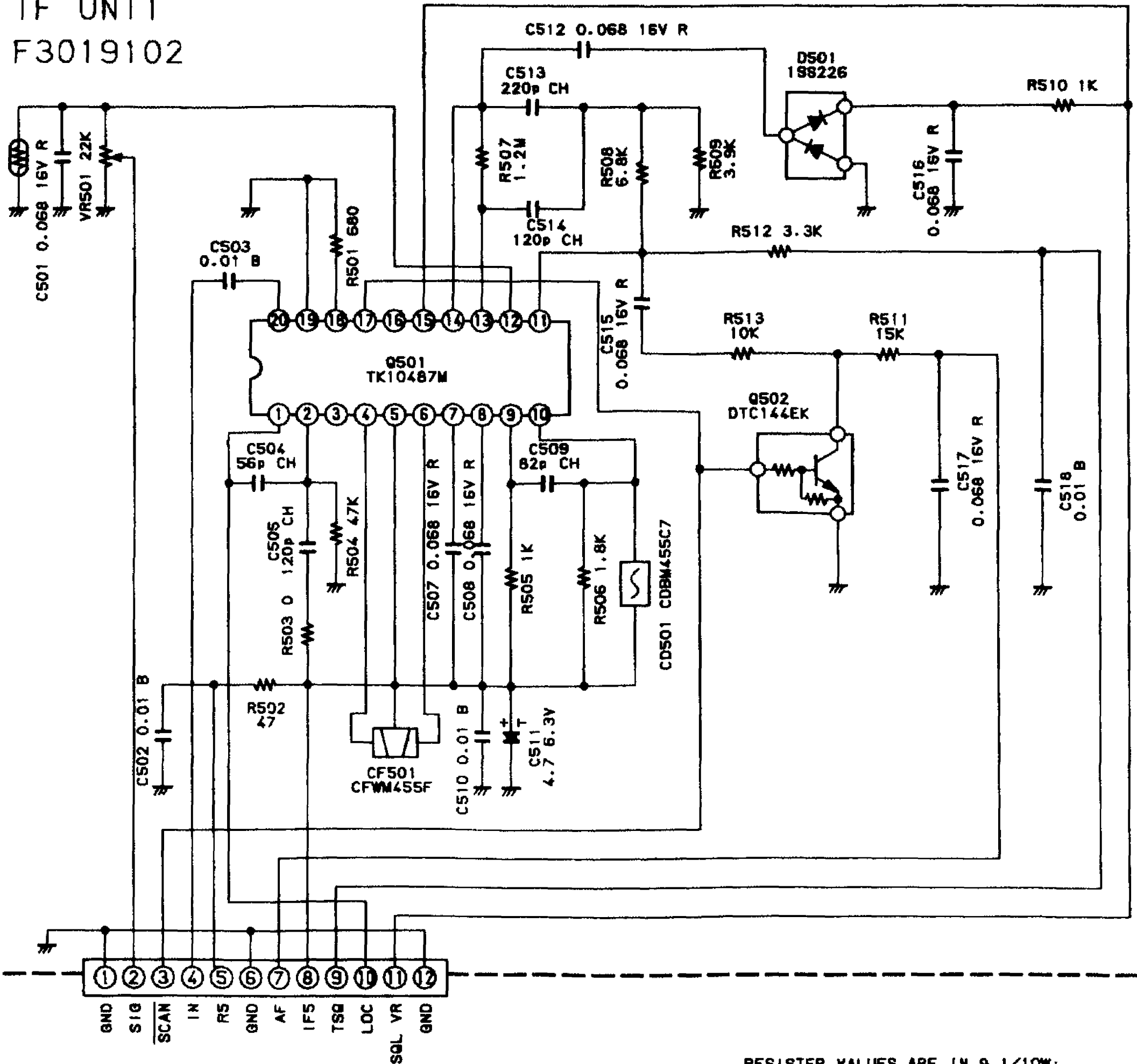


- 1 TDET
- 2 TSTB
- 3 PSTB
- 4 DATA
- 5 CLOCK
- 6 MOD
- 7 SP
- 8 GND
- 9 +B
- 10 PD
- 11 CPUS
- 12 GND
- 13 AFCTRL
- 14 TX
- 15 SAVE
- 16 SCAN
- 17 ULT5
- 18 LOW
- 19 SPC
- 20 BEEP
- 21 SIG
- 22 GND
- 23 ENC
- 24 ENC

RESISTOR VALUES ARE IN Ω , 1/16W;
CAPACITOR VALUES ARE IN μ F, 50V;
UNLESS OTHERWISE NOTED.

IF UNIT F3019102

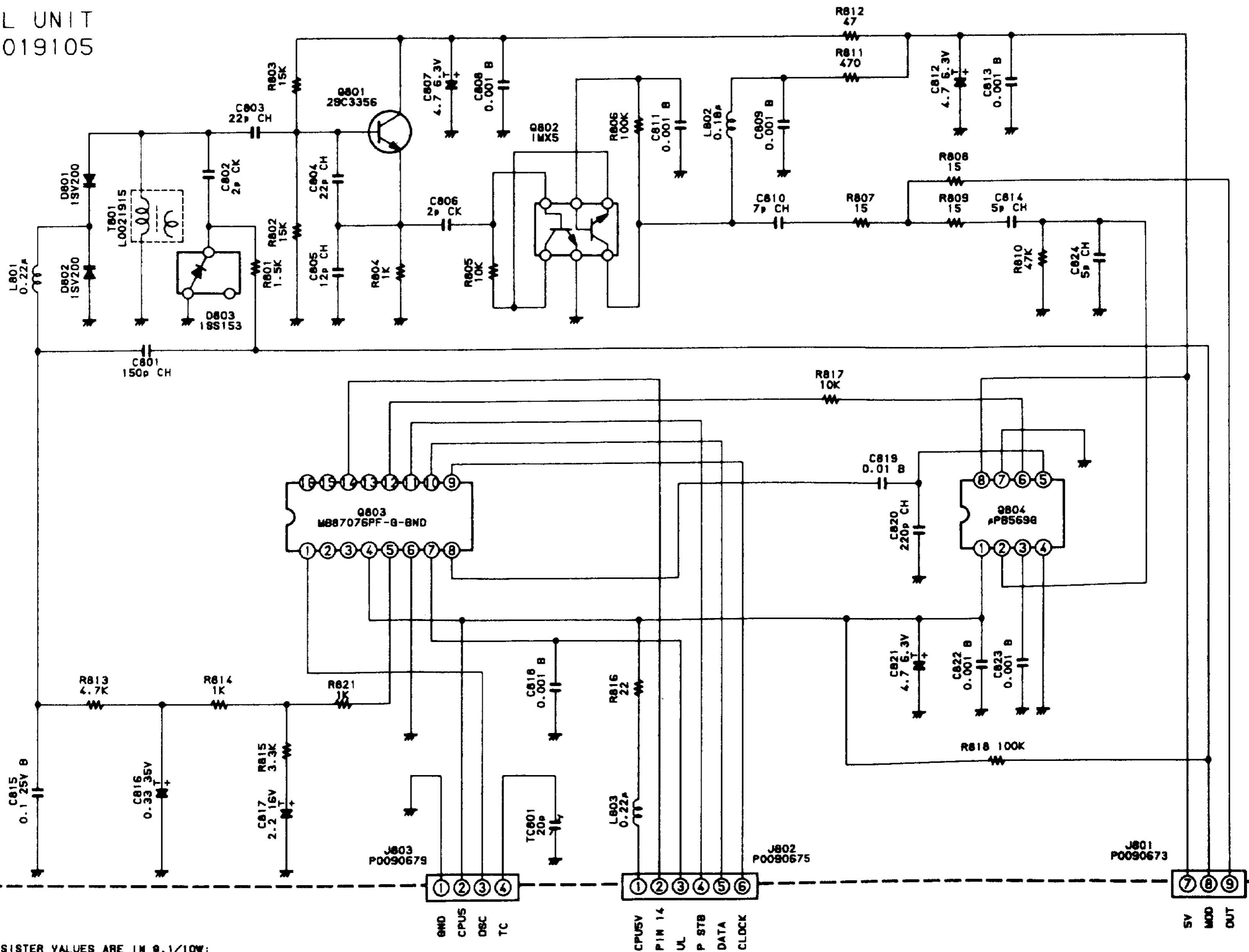
PH501 KPR18SK24 3KJ



J501

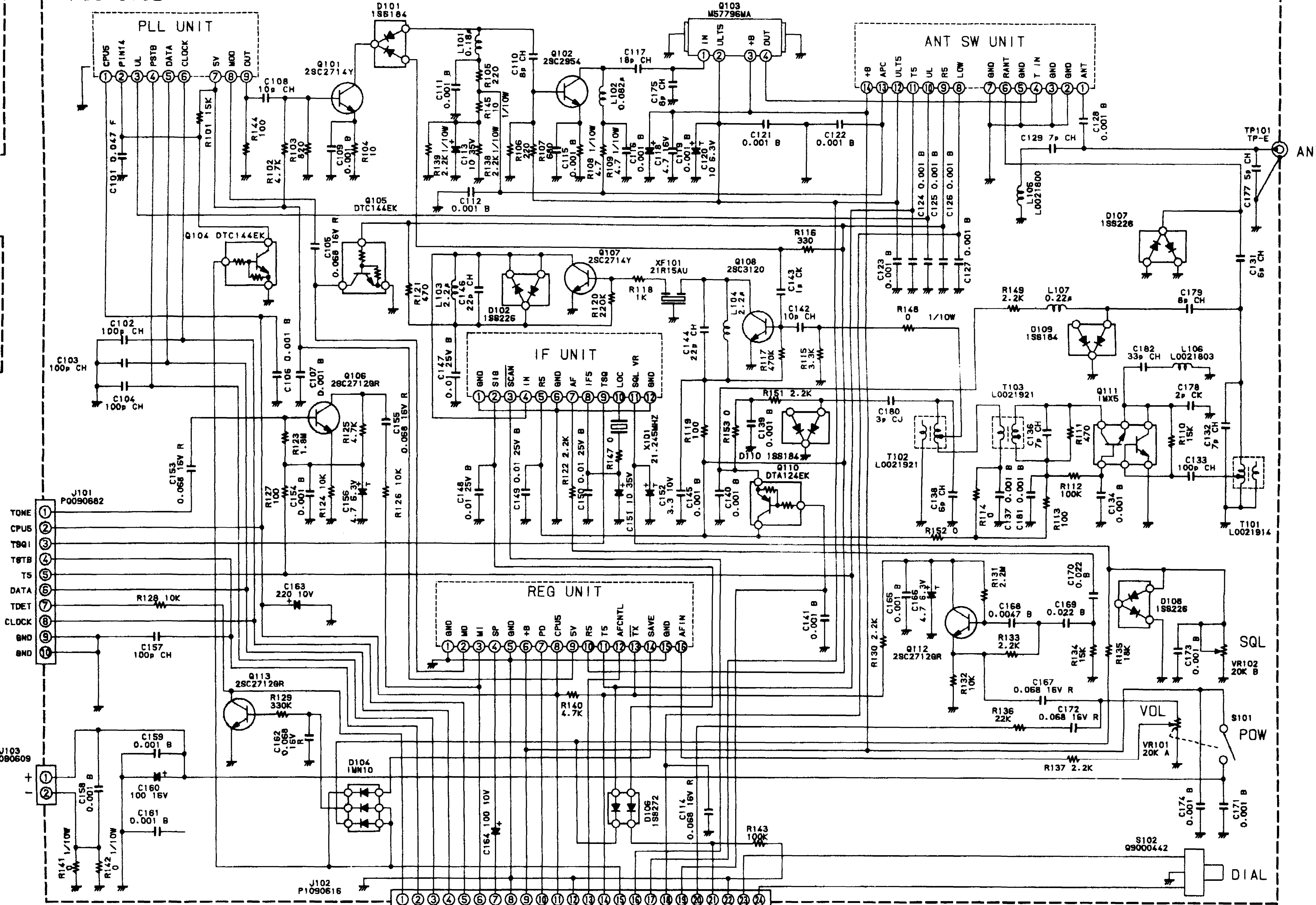
RESISTOR VALUES ARE IN Ω./10W:
CAPACITOR VALUES ARE IN pF. 50V:
INDUCTOR VALUES ARE IN μH:
UNLESS OTHERWISE NOTED.

PLL UNIT
F3019105



RESISTOR VALUES ARE IN Ω, 1/10W;
CAPACITOR VALUES ARE IN μF, 50V;
INDUCTOR VALUES ARE IN μH;
UNLESS OTHERWISE NOTED.

MOTHER BOARD UNIT
F3018102



RESISTOR VALUE ARE IN Ω, 1/16W;
CAPACITOR VALUE ARE IN μF, 50V;
INDUCTOR VALUE ARE IN μH;
UNLESS OTHERWISE NOTED.

- 1 TDET
- 2 TSTB
- 3 PSTB
- 4 DATA
- 5 CLOCK
- 6 MOD
- 7 SP
- 8 GND
- 9 +B
- 10 PD
- 11 CPU5
- 12 GND
- 13 AFCNTL
- 14 TX
- 15 SAVE
- 16 SCAN
- 17 ULTS
- 18 LOW
- 19 SPC
- 20 BEEP
- 21 SIB
- 22 GND
- 23 ENC
- 24 ENC

ANT

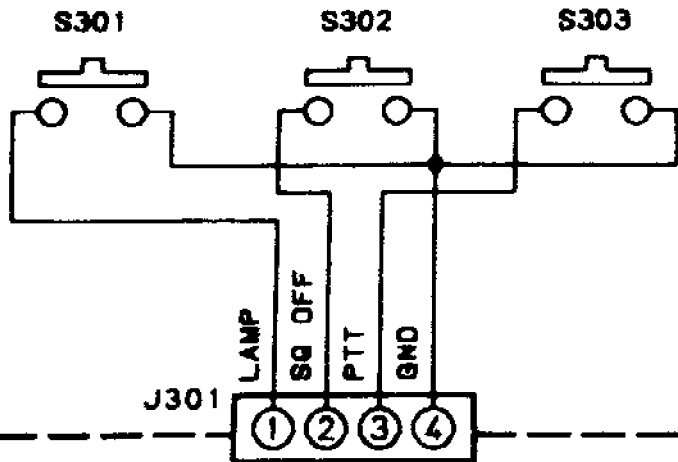
SQL

VOL

POW

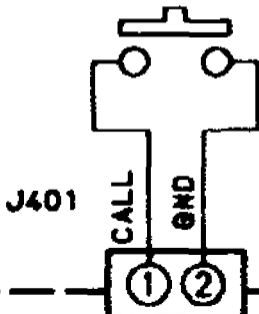
DIAL

SW UNIT A
F3021000

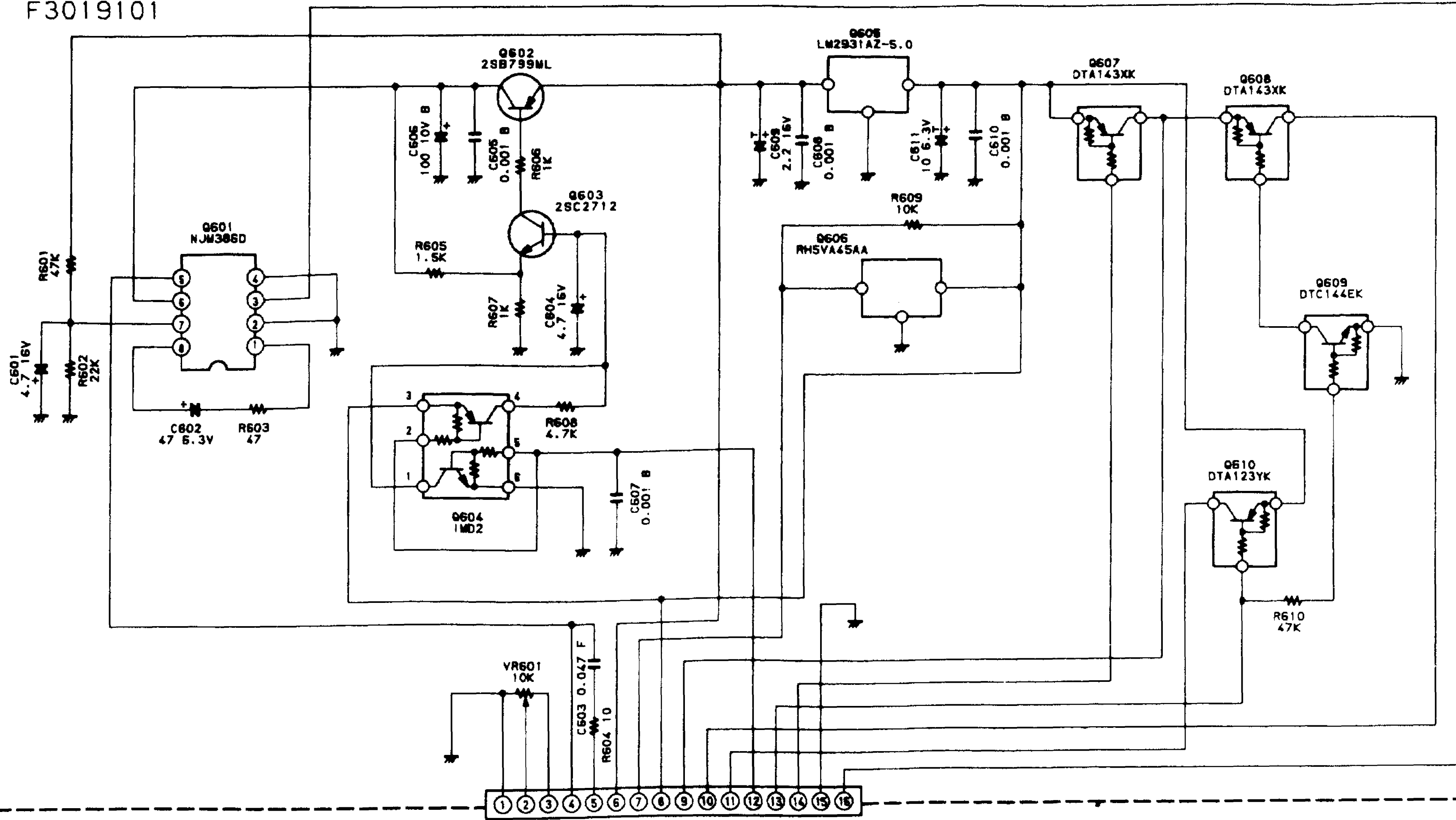


SW UNIT B
F3022000

S401



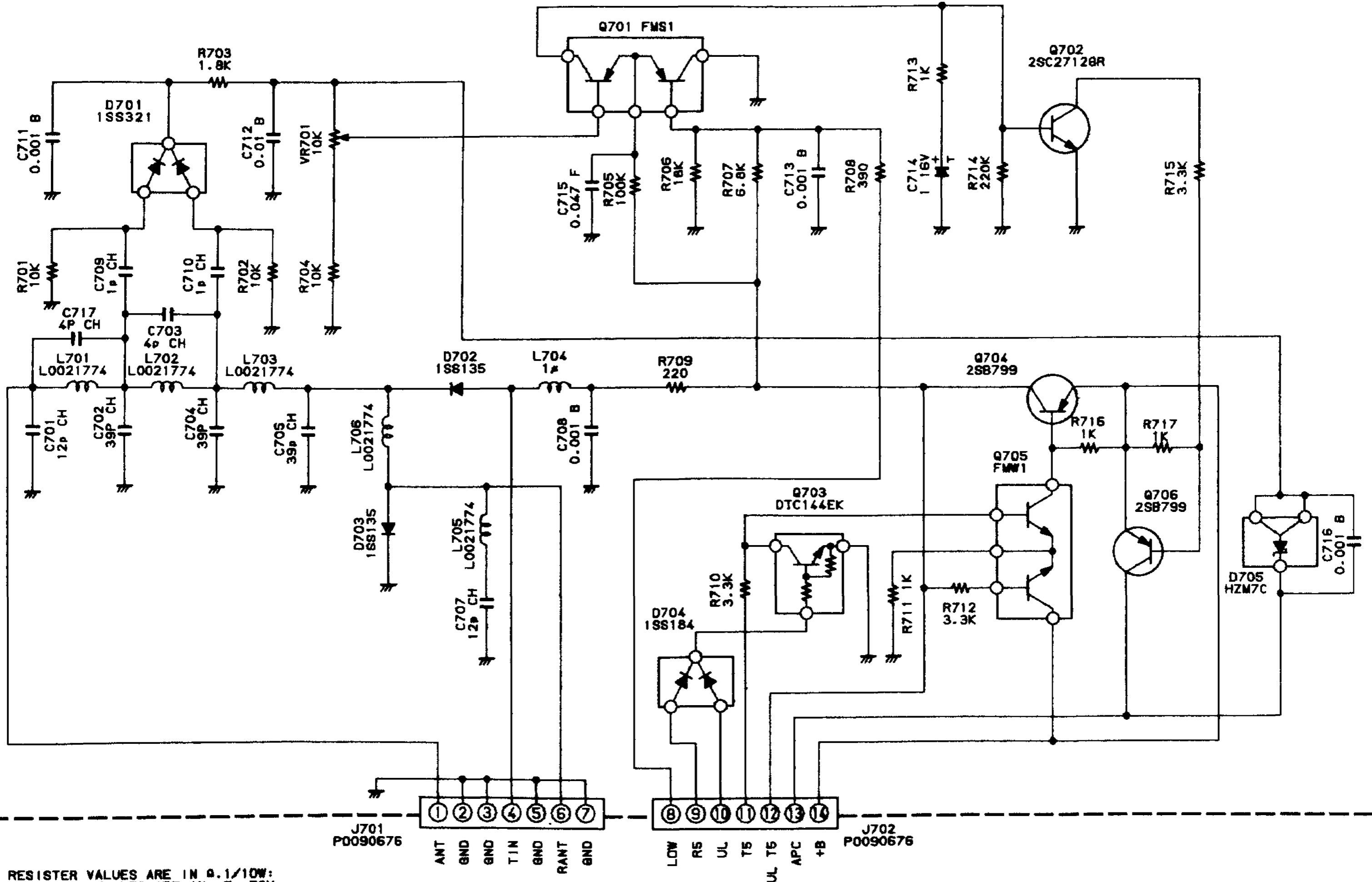
REG UNIT
F3019101



RESISTOR VALUES ARE IN Ω, K, M, 10W ;
CAPACITOR VALUES ARE IN μF, 50V ;
(T) CAPACITOR VALUES ARE TANTALUM,
UNLESS OTHERWISE NOTED.

J601
P0090678

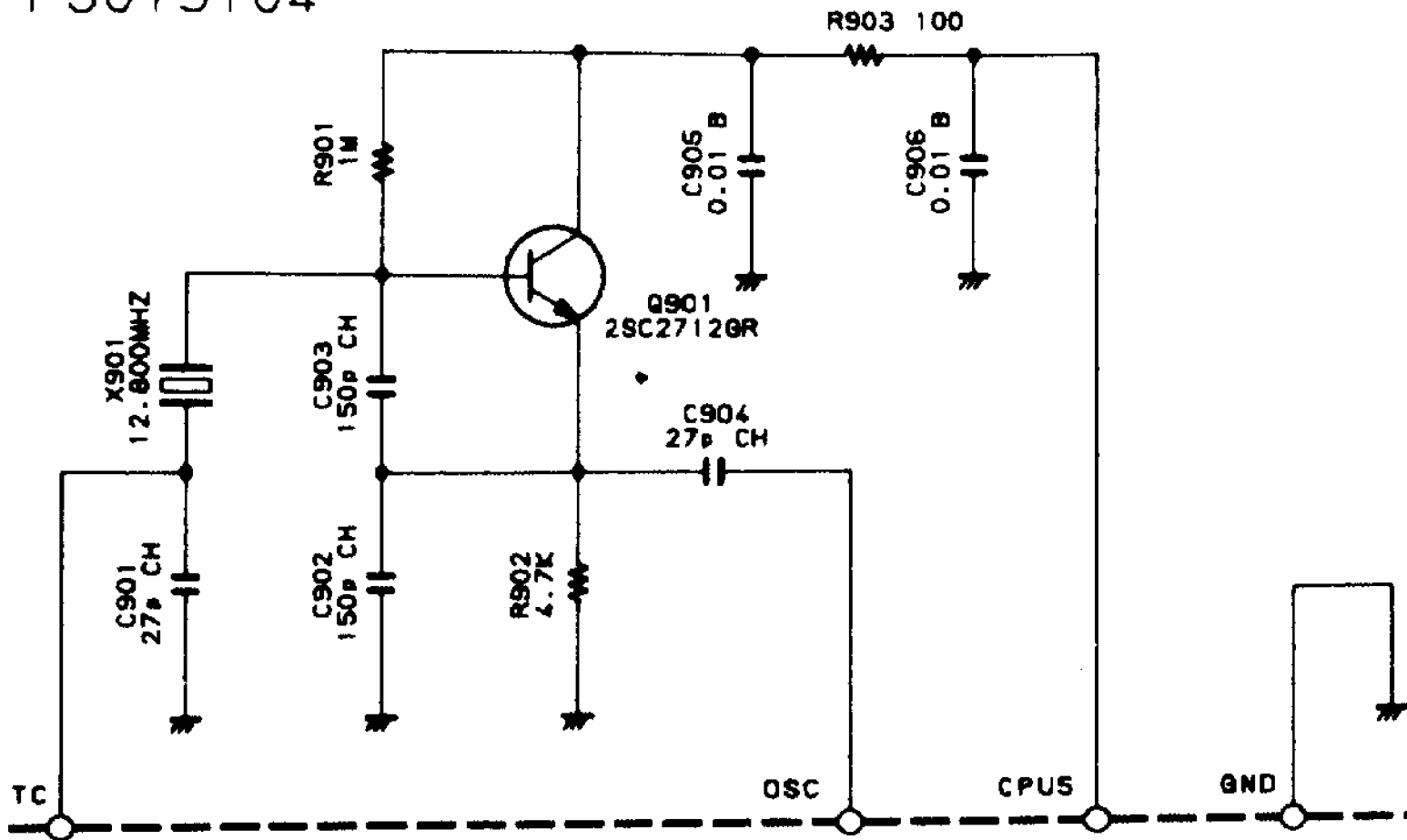
F3019103 ANT SW UNIT



RESISTOR VALUES ARE IN Ω, 1/10W.
CAPACITOR VALUES ARE IN P, F, FCV.

CLOCK UNIT

F3019104



SPECIFICATIONS

GENERAL

Frequency coverage (MHz):

144 to 147.9995 (version A)

144 to 145.9875 (version B)

Channel steps:

5, 10, 12.5, 20 & 25 kHz

Standard repeater shift:

600 kHz

Emission type:

G3E

Supply voltage:

5.5 to 15.0 VDC

Current consumption:

Stby (1sec Save) 7mA; Rcv: 150mA;

Transmit (6W): 1300 mA;

Auto Power Off: 6 mA

Antenna (BNC jack):

YHA-16 rubber flex antenna

Case size (WHD, in mm):

w/FNB/FBA-9/17: 55x122x32

w/FNB/FBA-10: 55x139x32

w/FNB-11: 55x188x32

w/FNB-12/-14: 55x155x32

Weight (approx):

430g w/FNB-10, 550g w/FNB-11

RF Power Chart

Battery Type	RF Output (watts)
(Dry Cell Cases)	
FBA-9 (6xAAA cells)	2.0
FBA-10/17 (6xAA cells)	2.5
(Ni-Cd Packs)	
FNB-9 (7.2V, 200 mAh)	2.5
FNB-10/17 (7.2V, 600 mAh)	2.5
FNB-11 (12V, 600 mAh)	5.0
FNB-12 (12V, 500 mAh)	5.0
FNB-14 (7.2V, 1000 mAh)	2.5

RECEIVER

Circuit type:

Double-conversion superheterodyne

Sensitivity (for 12dB SINAD):

better than 0.158uV (-10dBu)

Adjacent channel selectivity:

better than 60dB

Intermodulation:

better than 65dB

Audio output:

0.5W @8 ohms for 5% THD (12V)

TRANSMITTER

Power output:

(see RF Power Chart)

Frequency stability:

better than 10 ppm

Modulation system:

variable reactance

Maximum deviation:

±5 kHz

FM Noise:

better than -40dB @ 1 kHz

Spurious emissions:

better than 60dB below carrier

Audio distortion (@ 1 kHz):

less than 5%, w/3 kHz deviation

Microphone type:

2-kilohm condenser

Burst tone:

1750 Hz (except version A)