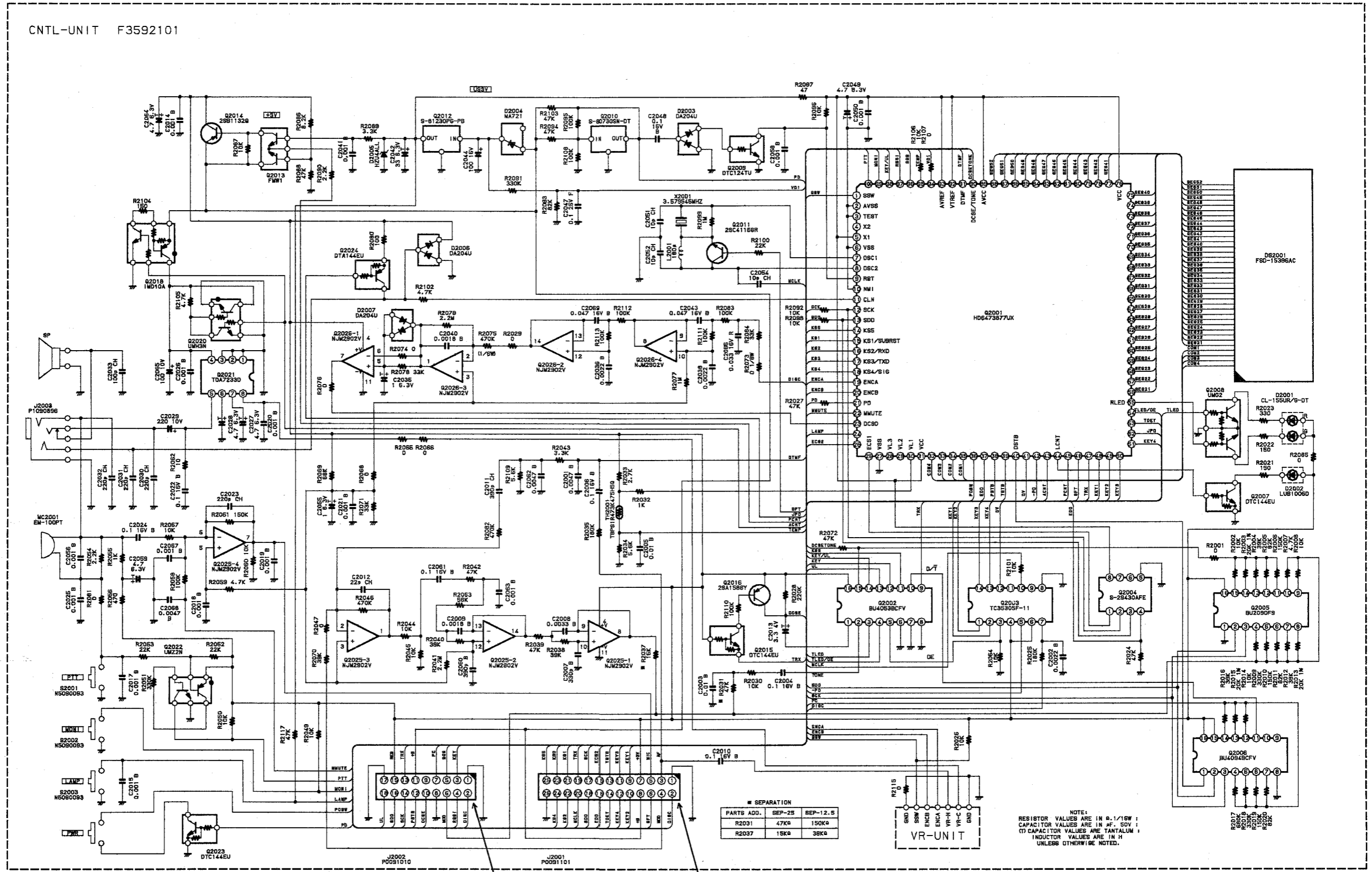


Circuit Diagram



CNTL-UNIT F3592101

SEPARATION

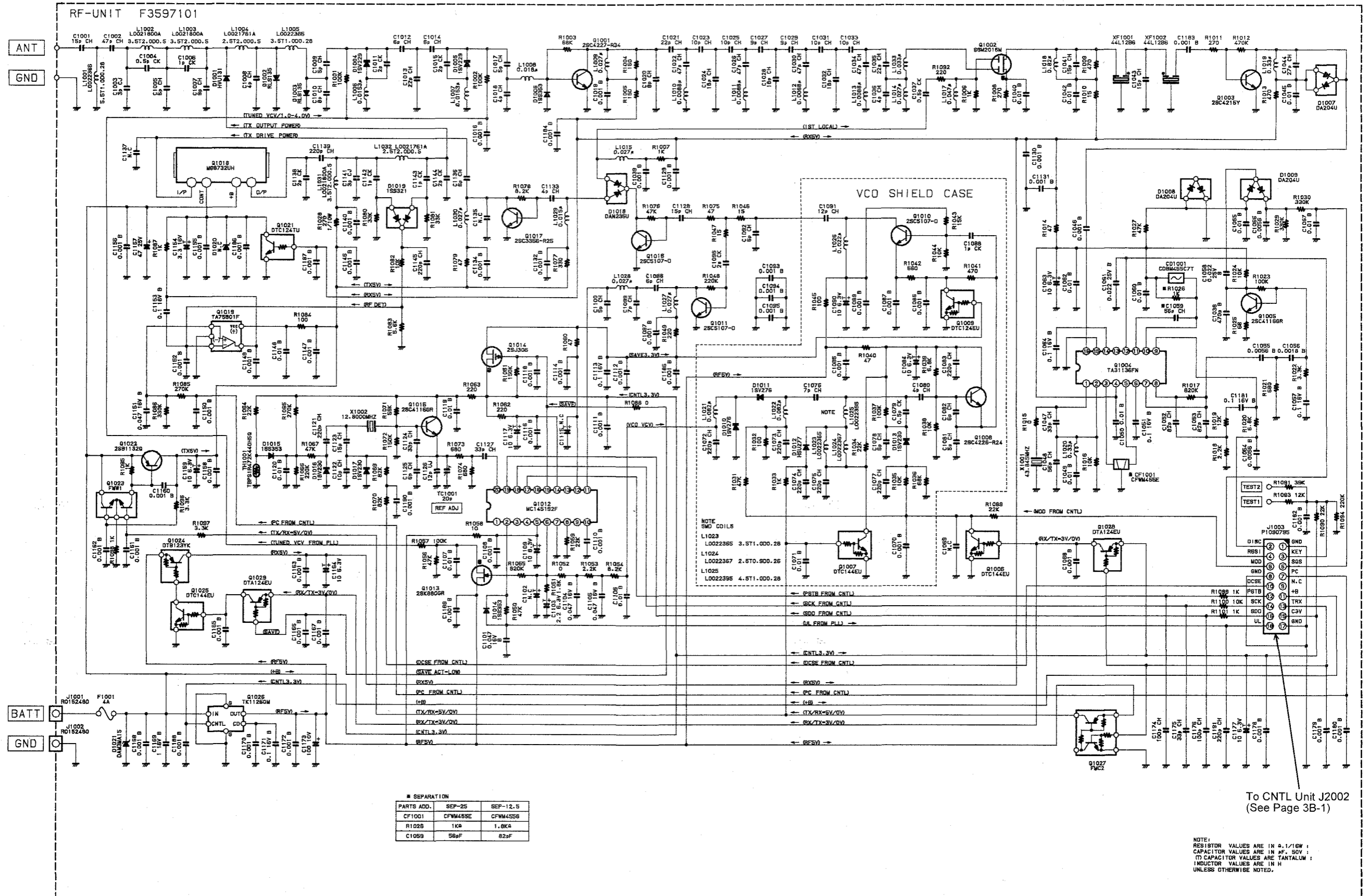
PARTS ADD.	SEP-25	SEP-12, 5
R2031	47K $\Omega$	150K $\Omega$
R2037	15K $\Omega$	38K $\Omega$

NOTE:  
 RESISTOR VALUES ARE IN  $\Omega$ , 1/10 $\Omega$ ;  
 CAPACITOR VALUES ARE IN  $\mu$ F, 50V;  
 (D) CAPACITOR VALUES ARE TANTALUM;  
 INDUCTOR VALUES ARE IN H  
 UNLESS OTHERWISE NOTED.

To RF Unit J1002  
(See Page 3A-1)

To Keypad Unit  
(See Page 3D-1, 3E-1)

Circuit Diagram



SEPARATION

PARTS ADD.	SEP-25	SEP-12, 5
CF1001	CFW455E	CFW455E
R1026	1K	1.6K
C1059	56pF	82pF

To CNTL Unit J2002  
(See Page 3B-1)

NOTE:  
RESISTOR VALUES ARE IN Ω, 1/16W ;  
CAPACITOR VALUES ARE IN pF, 50V ;  
INDUCTOR VALUES ARE IN H ;  
UNLESS OTHERWISE NOTED.