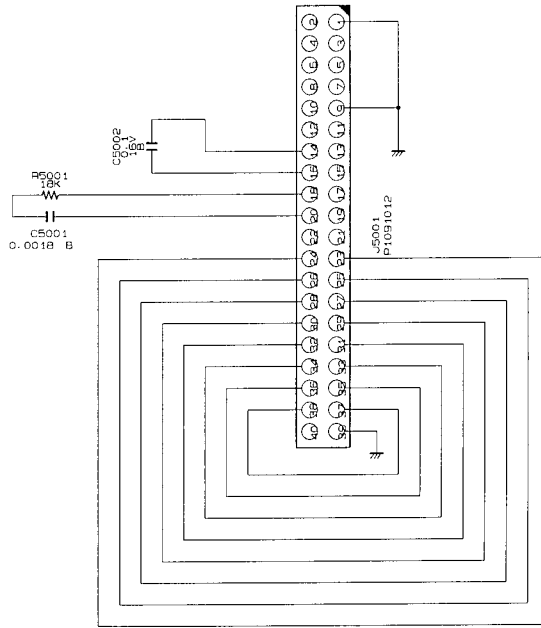


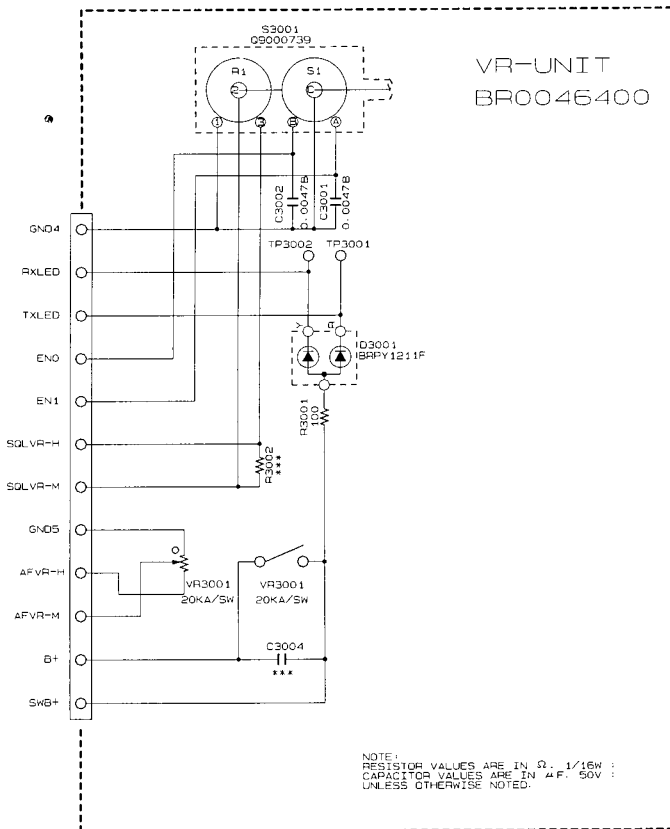
DUMMY-UNIT

BR0025100



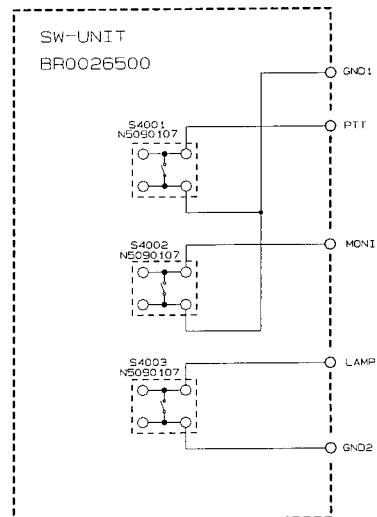
NOTE:  
RESISTOR VALUES ARE IN Ω. 1/16W ;  
CAPACITOR VALUES ARE IN μF. 50V ;  
UNLESS OTHERWISE NOTED.

VR-UNIT  
BR0046400

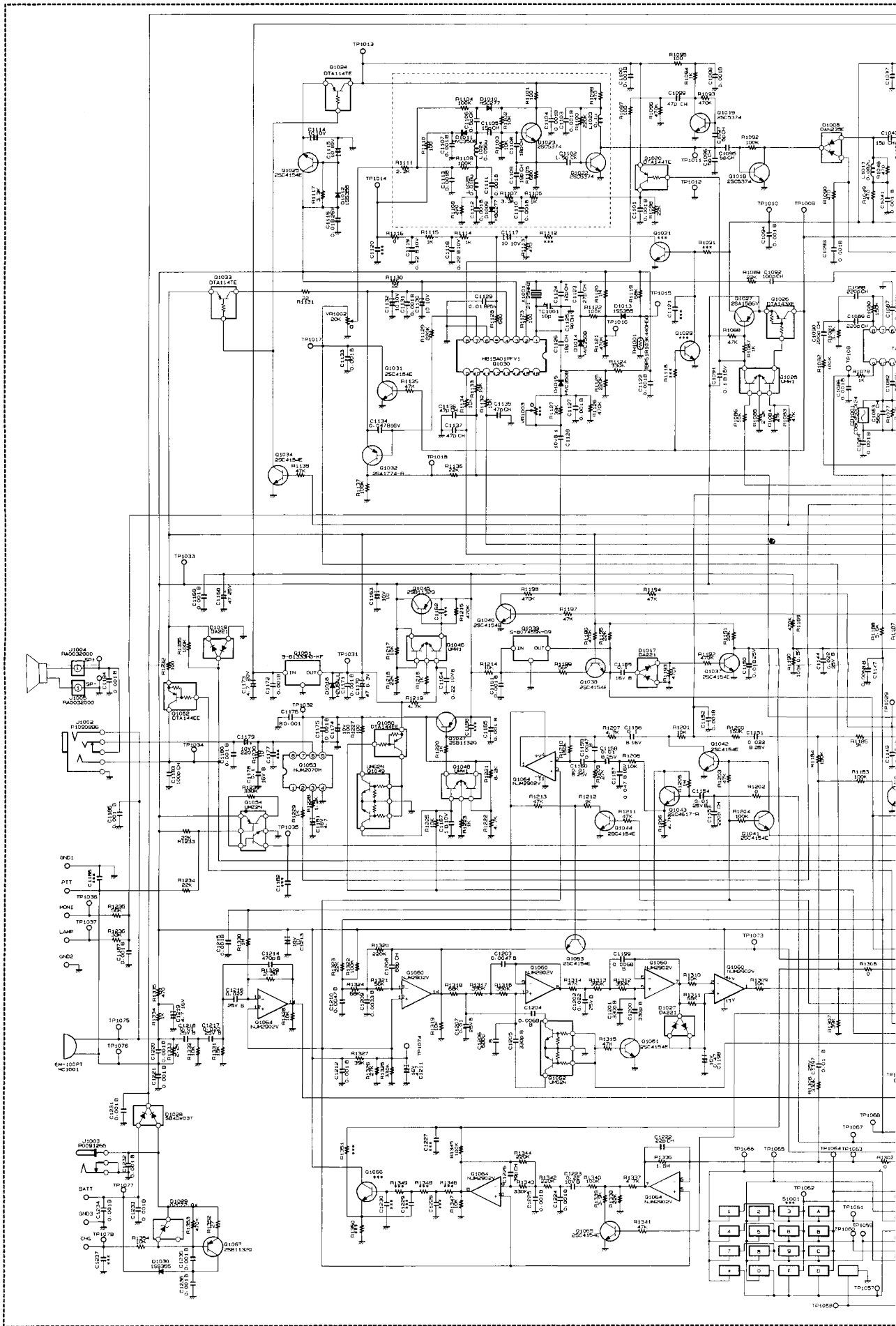


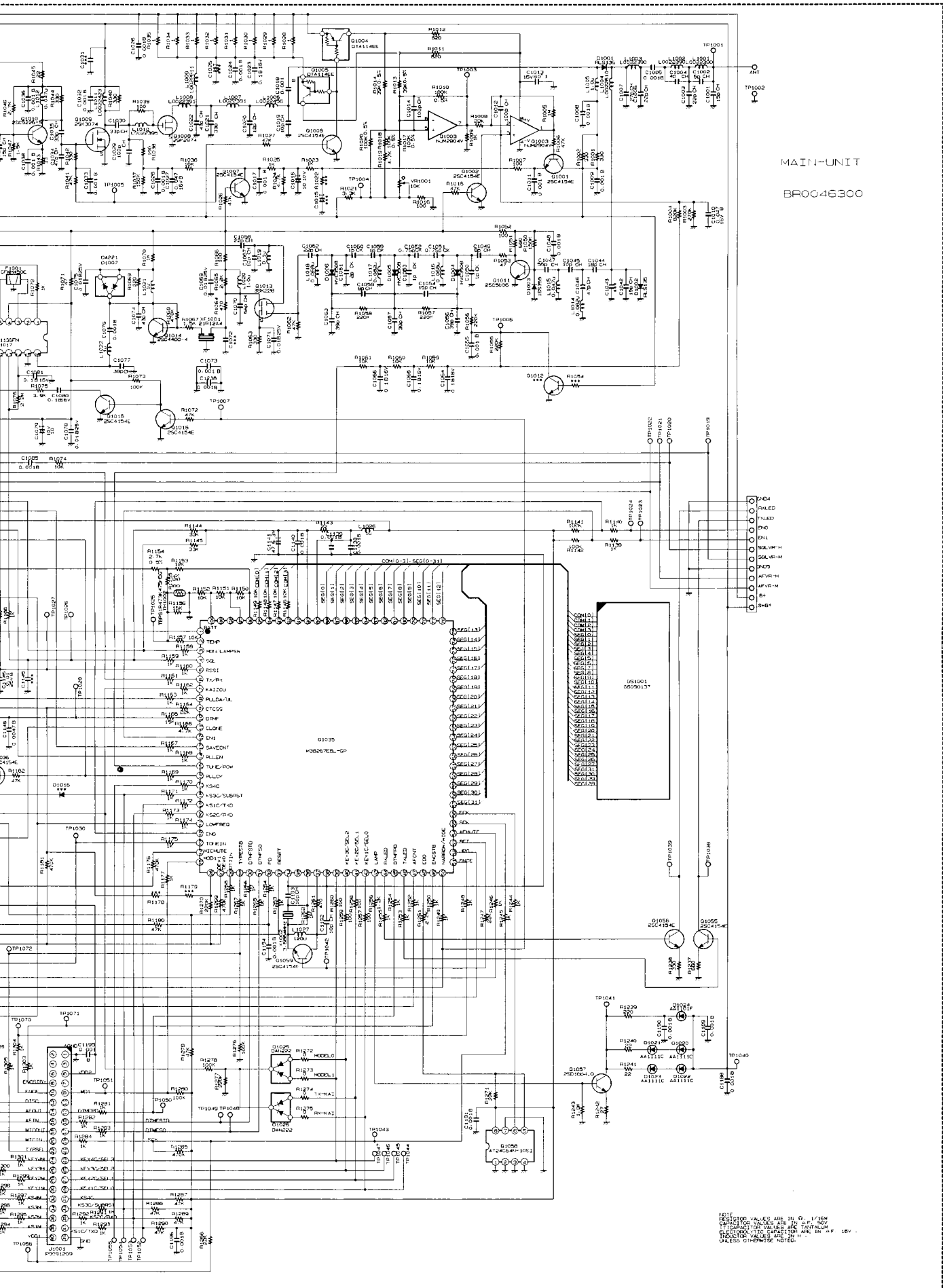
NOTE:  
RESISTOR VALUES ARE IN Ω. 1/16W ;  
CAPACITOR VALUES ARE IN μF. 50V ;  
UNLESS OTHERWISE NOTED.

SW-UNIT  
BR0026500



# VX-150 Circuit Diagram





MAIN-UNIT  
BROC46300

RESISTOR VALUES ARE IN OHMS UNLESS OTHERWISE SPECIFIED  
CAPACITOR VALUES ARE IN PICO FARADS UNLESS OTHERWISE SPECIFIED  
RESISTOR VALUES ARE IN OHMS UNLESS OTHERWISE SPECIFIED  
CAPACITOR VALUES ARE IN PICO FARADS UNLESS OTHERWISE SPECIFIED  
RESISTOR VALUES ARE IN OHMS UNLESS OTHERWISE SPECIFIED  
CAPACITOR VALUES ARE IN PICO FARADS UNLESS OTHERWISE SPECIFIED