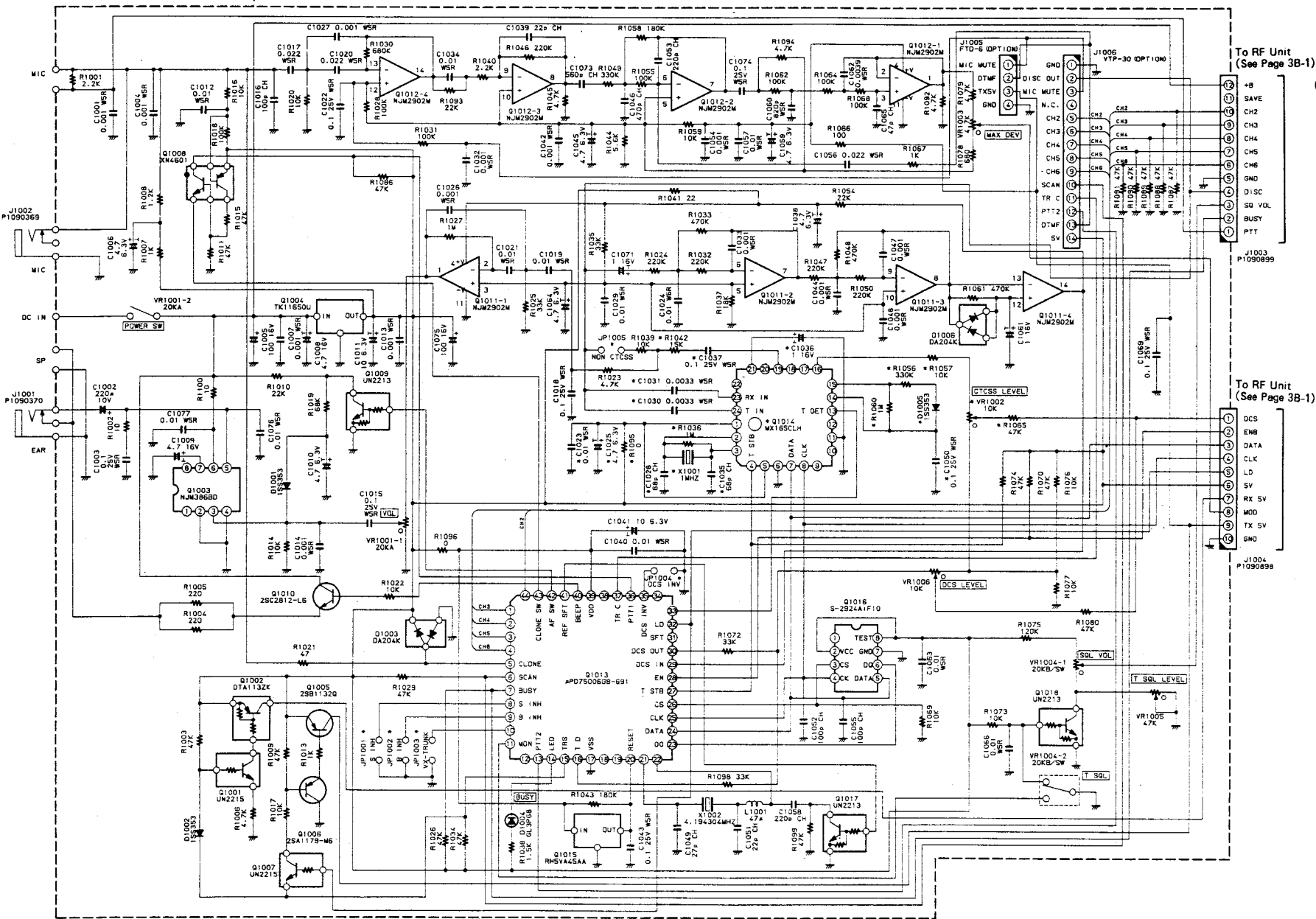


Circuit Diagram

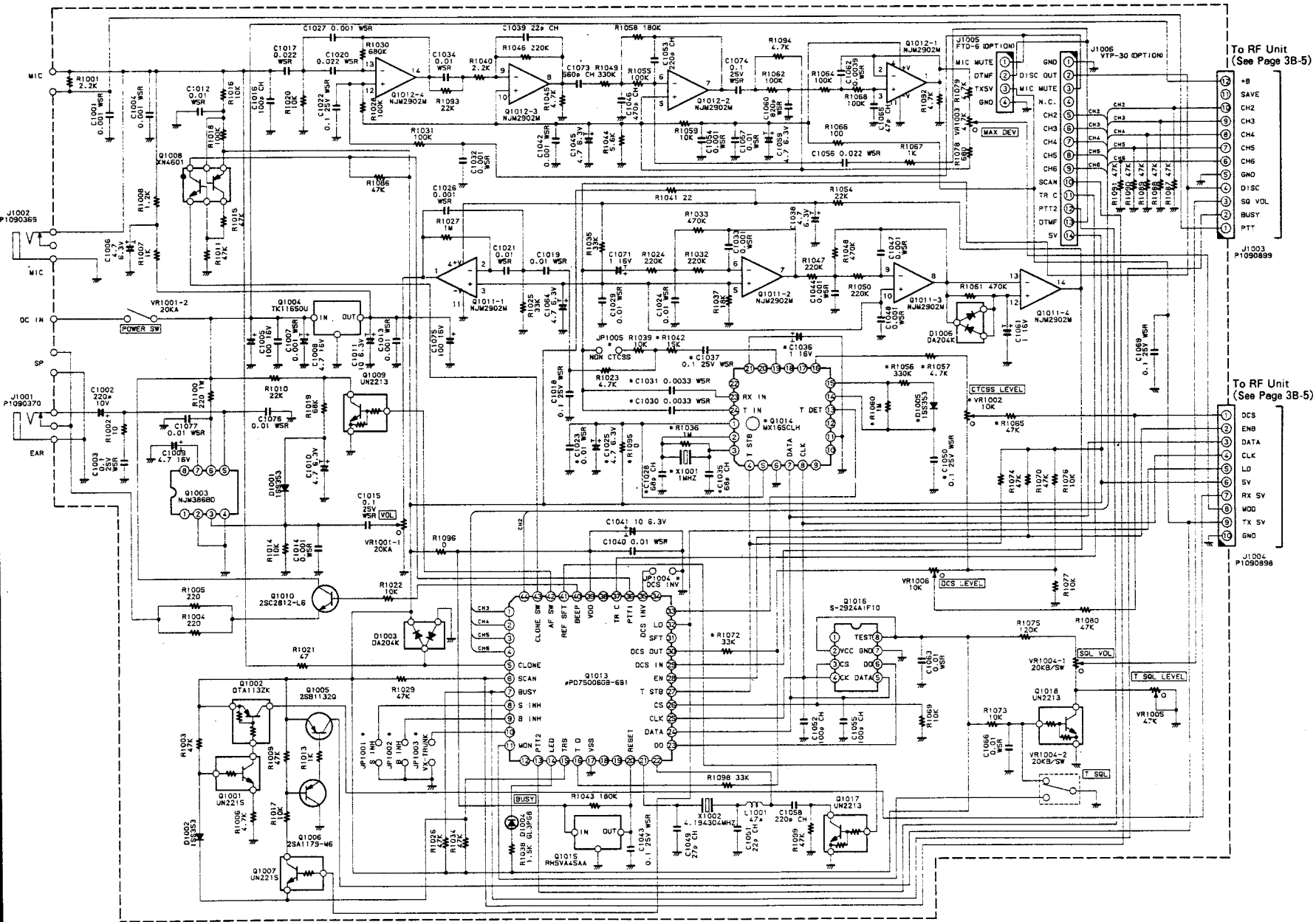


To RF Unit (See Page 3B-1)

To RF Unit (See Page 3B-1)

To RF Unit (See Page 3B-1)

Circuit Diagram

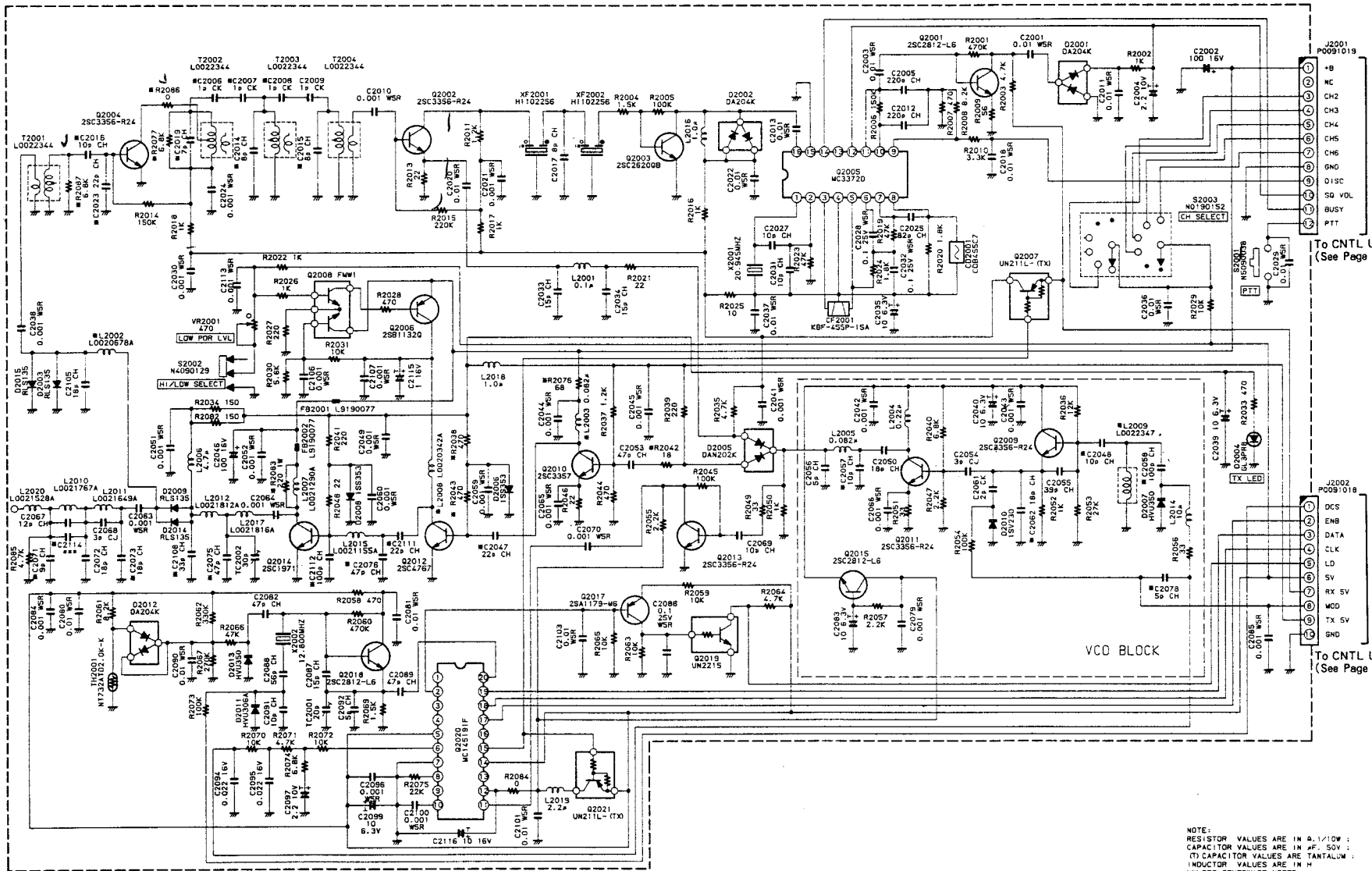


To RF Unit
(See Page 3B-5)

To RF Unit
(See Page 3B-5)

To RF Unit
(See Page 3B-5)

Circuit Diagram



NOTE:
 RESISTOR VALUES ARE IN Ω , $\frac{1}{10}\Omega$,
 CAPACITOR VALUES ARE IN μ F, 50V;
 CAPACITOR VALUES ARE TANTALUM;
 INDUCTOR VALUES ARE IN H
 UNLESS OTHERWISE NOTED.