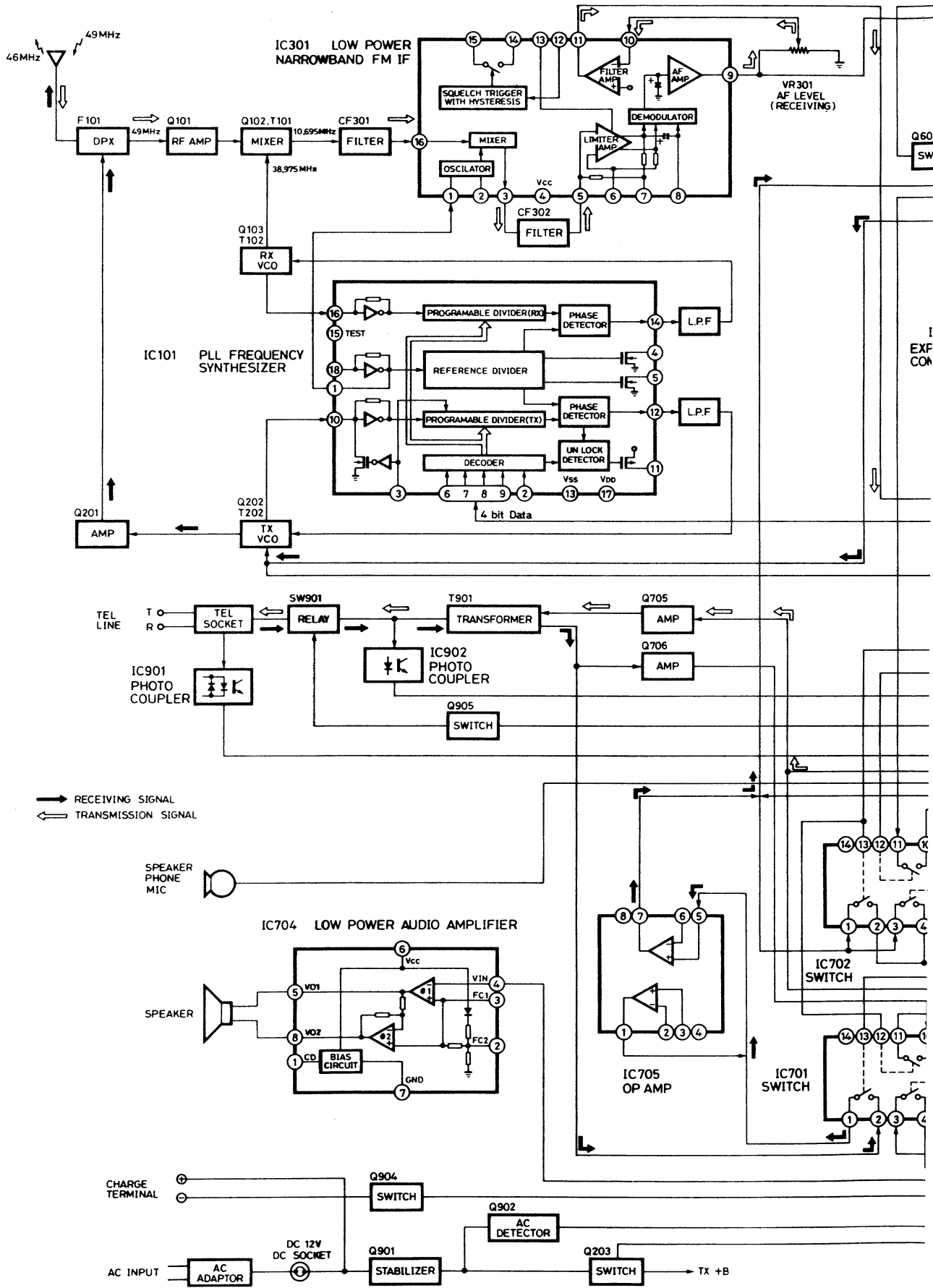
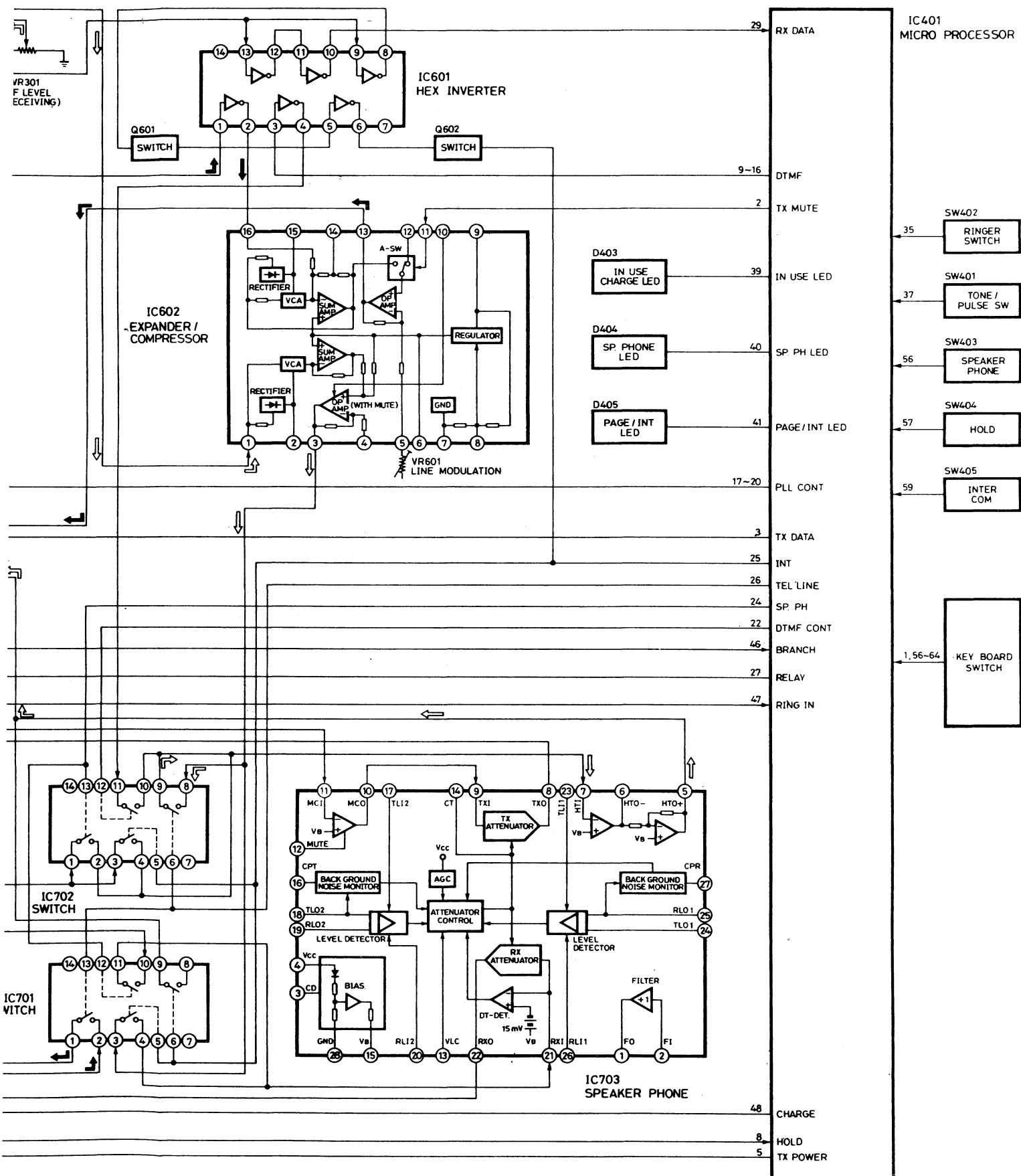


# BLOCK DIAGRAM (BASE STATION)



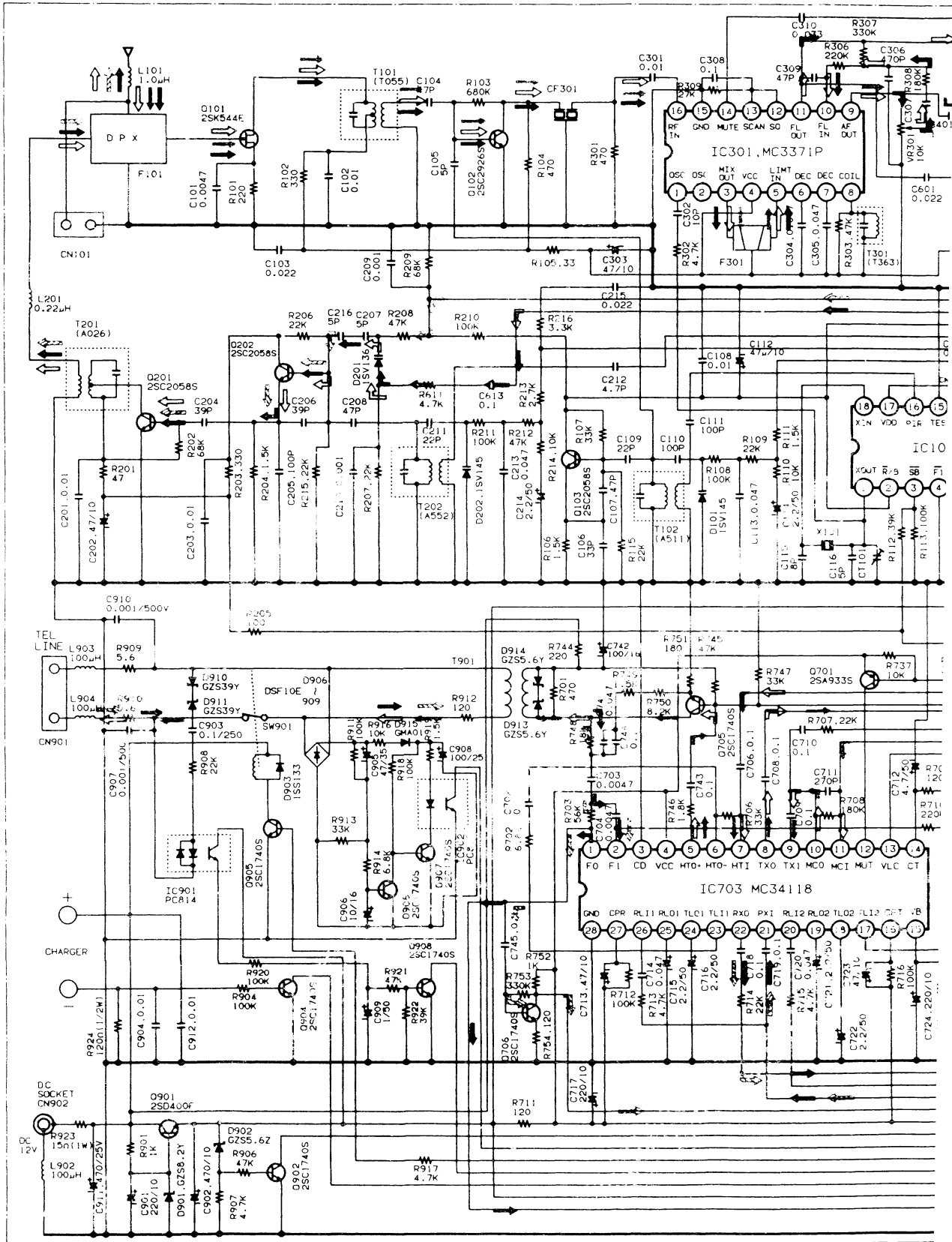
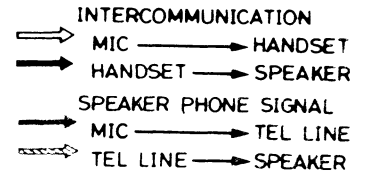
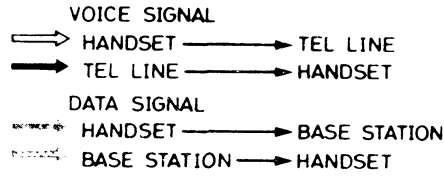


IC401  
MICRO PROCESSOR

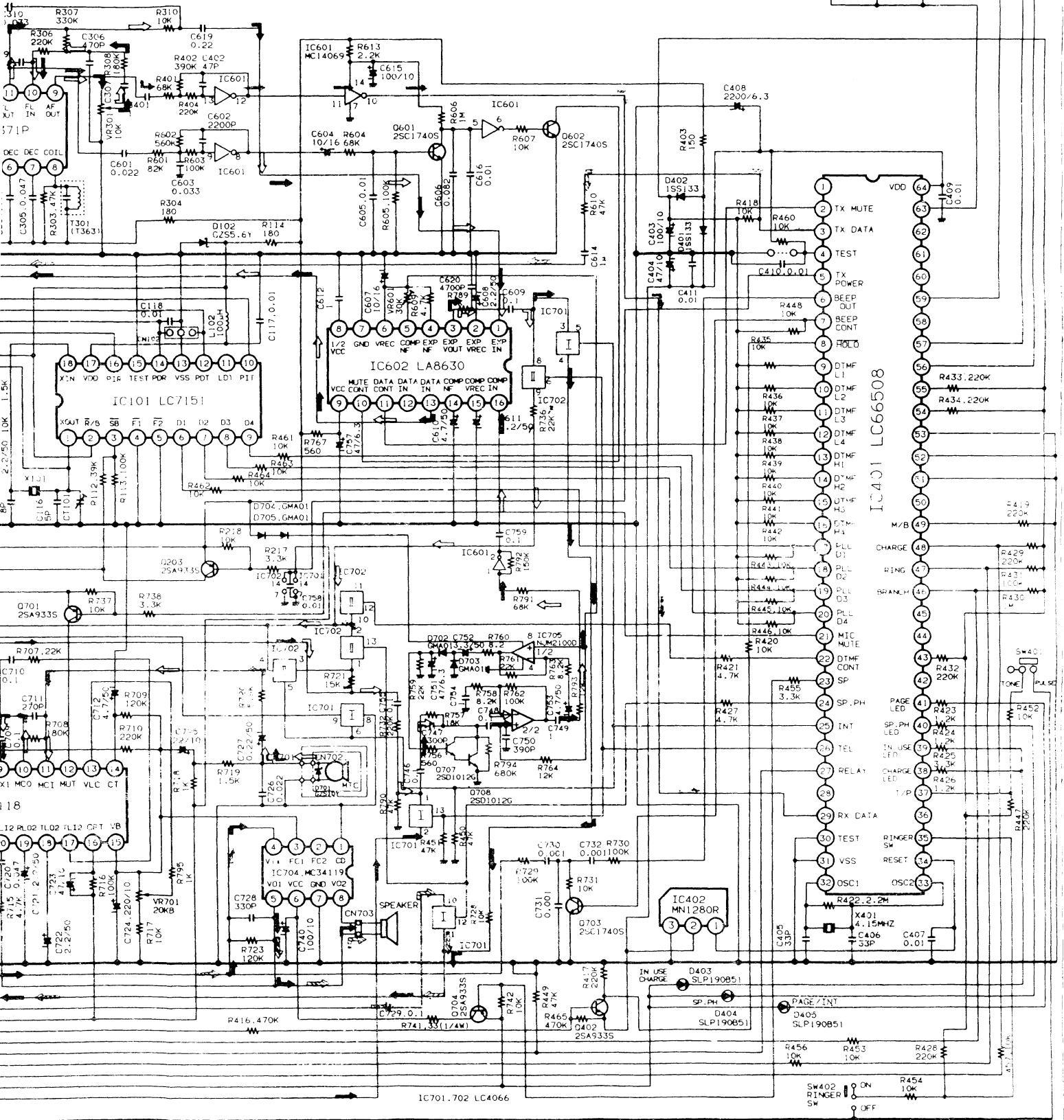
- 29 RX DATA
- 9-16 DTMF
- 2 TX MUTE
- 39 IN USE LED
- 40 SP PH LED
- 41 PAGE / INT LED
- 17-20 PLL CONT
- 3 TX DATA
- 25 INT
- 26 TEL LINE
- 24 SP. PH
- 22 DTMF CONT
- 46 BRANCH
- 27 RELAY
- 47 RING IN
- 48 CHARGE
- 8 HOLD
- 5 TX POWER

- 35 SW402 RINGER SWITCH
- 37 SW401 TONE / PULSE SW
- 56 SW403 SPEAKER PHONE
- 57 SW404 HOLD
- 59 SW405 INTER COM
- 1,56-64 KEY BOARD SWITCH

# SCHEMATIC DIAGRAM (BASE STATION)



MUNICIPATION  
 → HANDSET  
 → SPEAKER  
 PHONE SIGNAL  
 → TEL LINE  
 → SPEAKER



IC701,702 LC4066

SW402 RINGER SW ON OFF

R454 10K

# SCHEMATIC DIAGRAM (HANDSET)

REMOTE MAIN PCB

