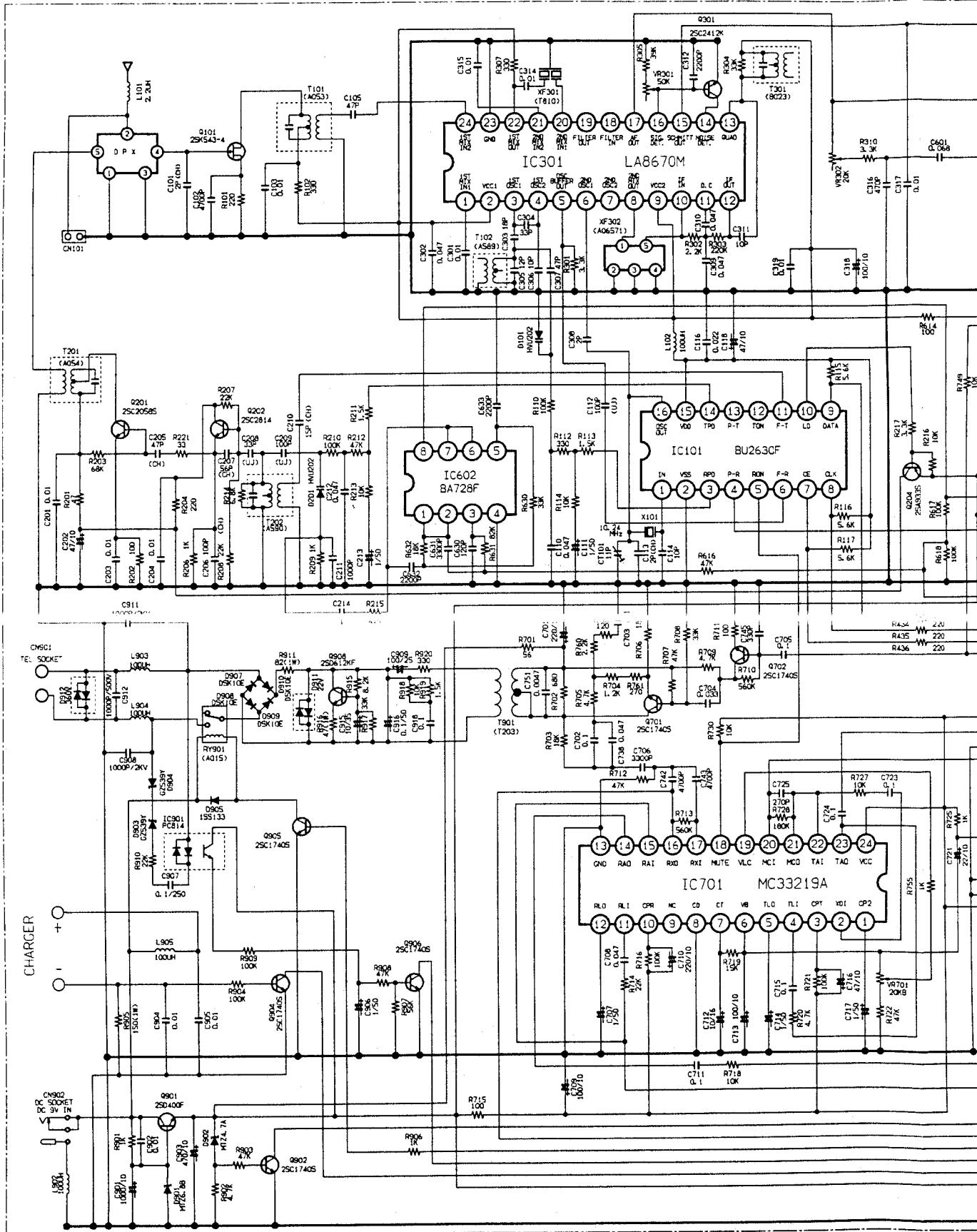
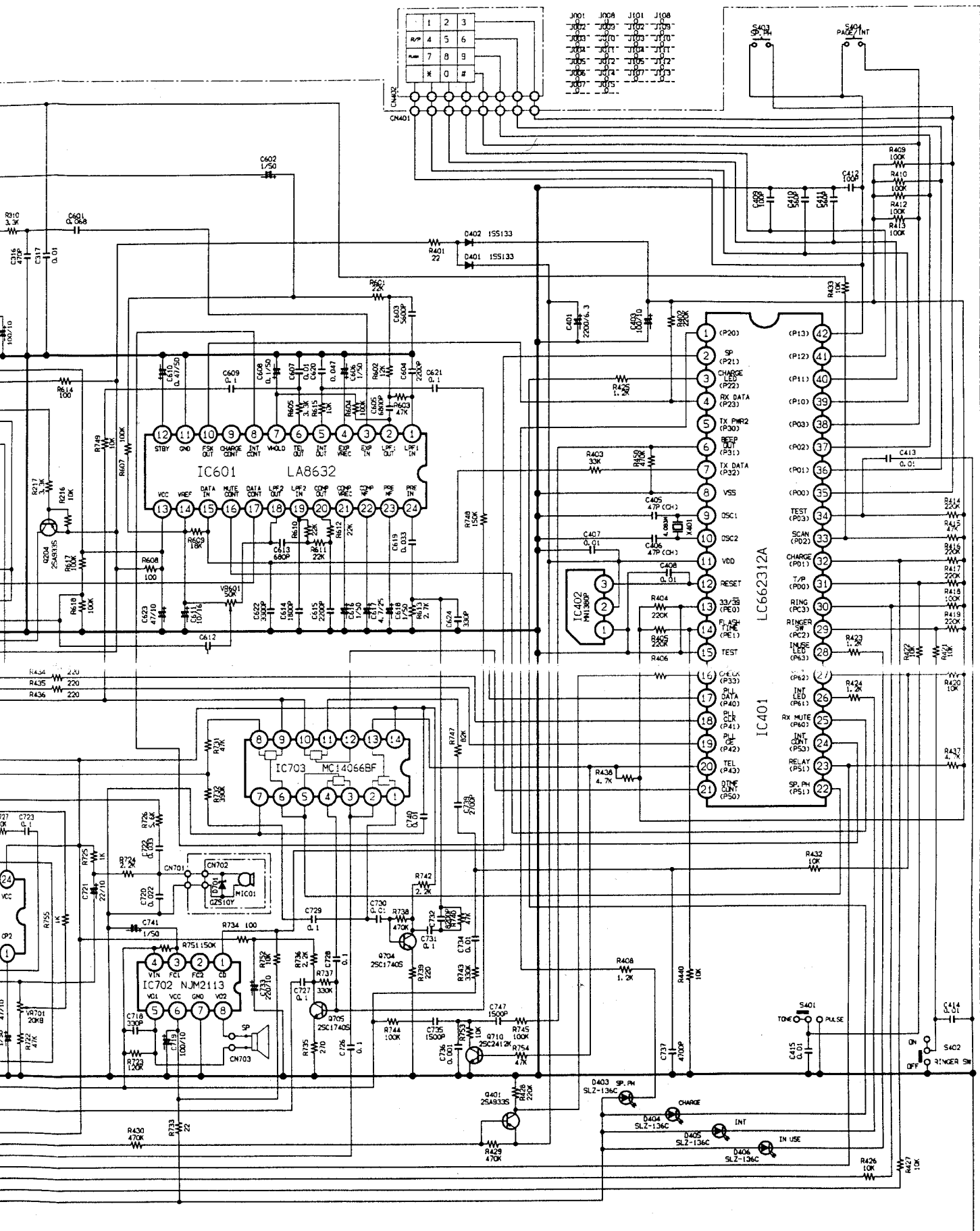


SCHEMATIC DIAGRAM(BASE STATION)



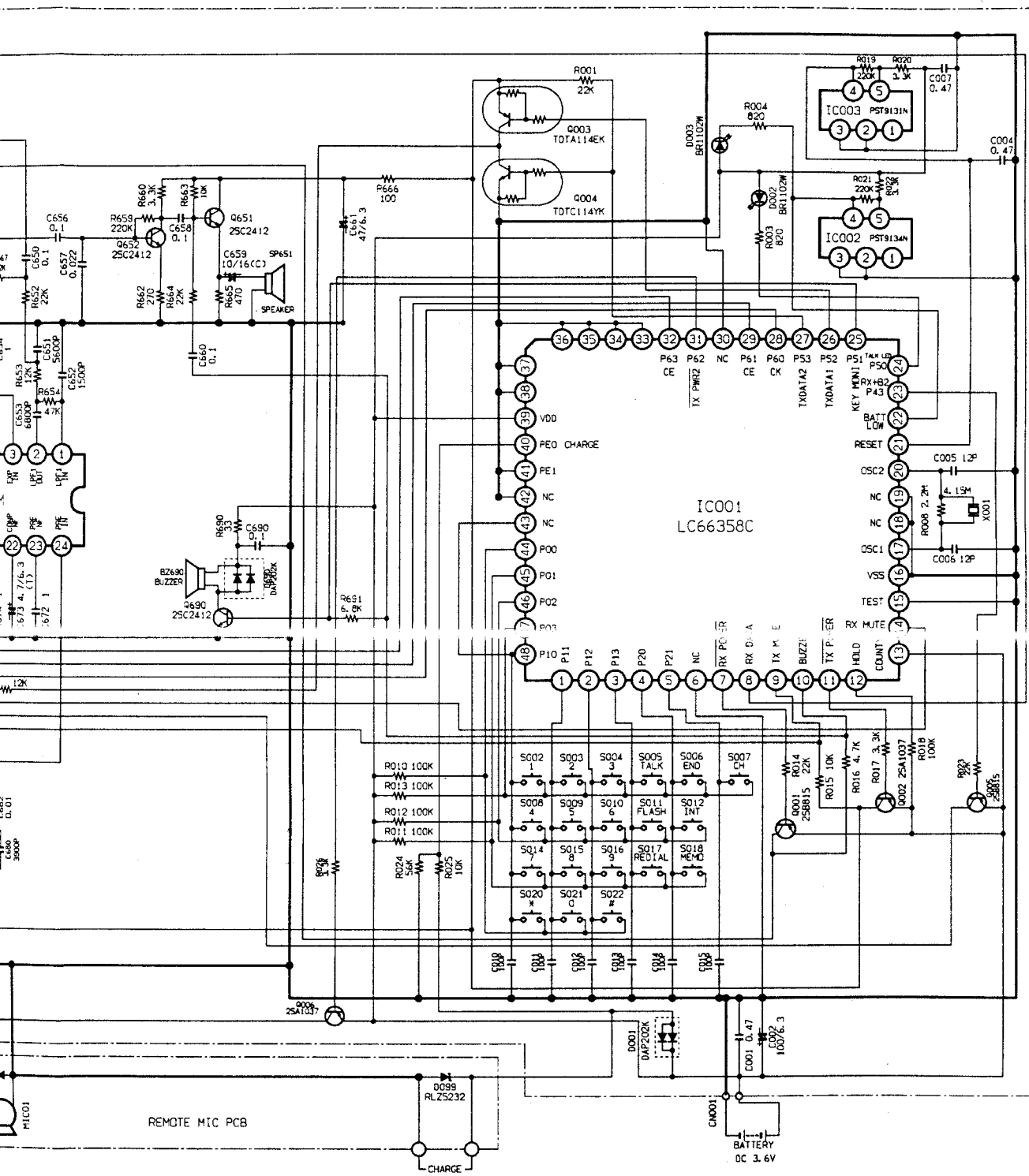


1	2	3
4	5	6
7	8	9
X	0	#

J101 J102 J103 J104 J105 J106 J107 J108
101 102 103 104 105 106 107 108
109 110 111 112 113 114 115 116
117 118 119 120 121 122 123 124
125 126 127 128 129 130 131 132
133 134 135 136 137 138 139 140

LC662312A

IC401



REMOTE MIC PCB

BATTERY DC 3.6V