

SPP-121/124

SONY[®]

SERVICE MANUAL

Ver 1.1 1999. 10

Canadian Model

SPP-121

E Model

SPP-121/124

SUPPLEMENT-1

File this supplement with the service manual.

SPP-121 E Model Addition

The E model is added to SPP-121.

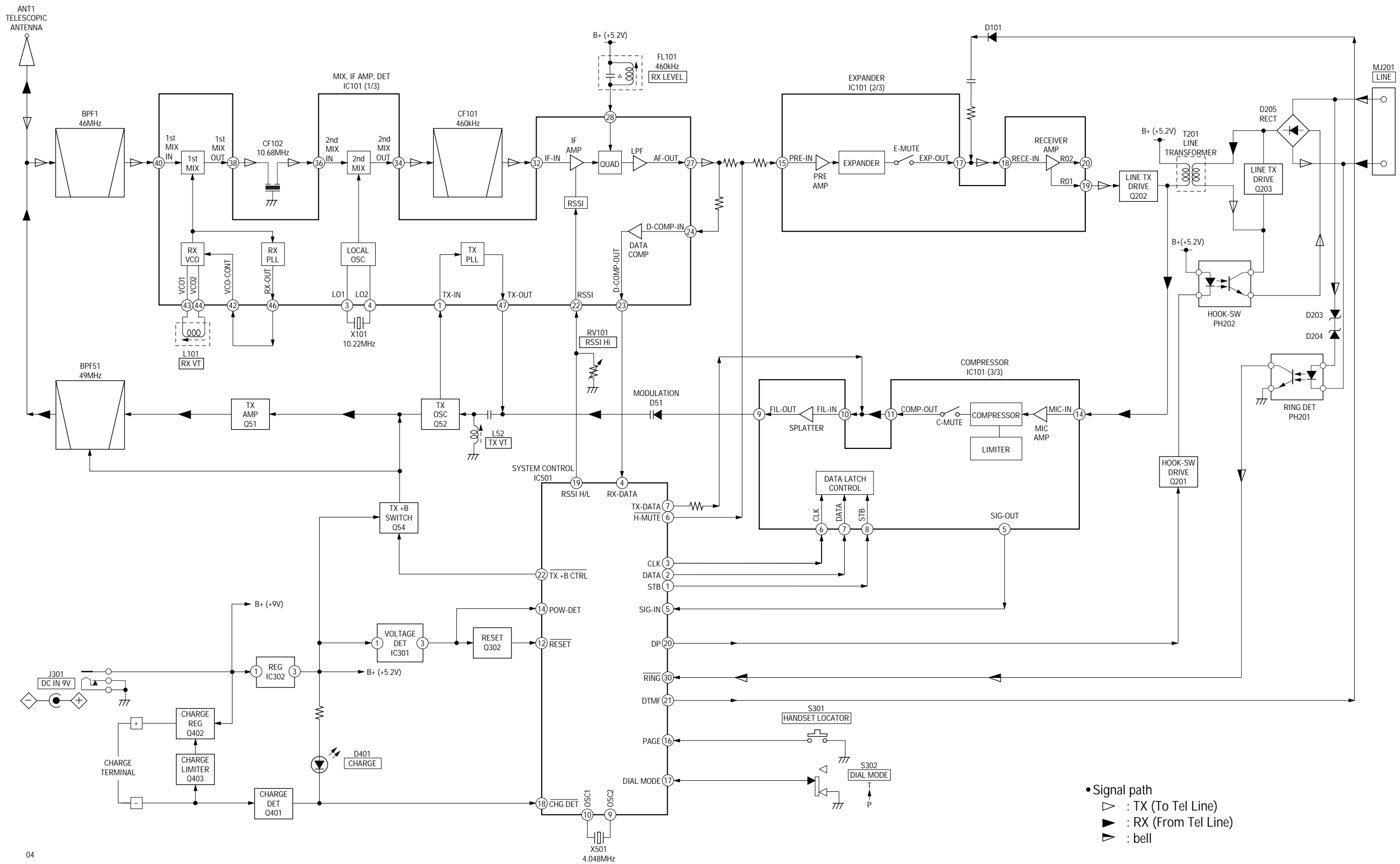
This Service Manual Supplement-1 contains only the points which differ from SPP-121 Canadian model.

For the informations not contained in this manual, please refer to SPP-121/124 service manual (9-870-000-11) previously issued.

1. DIFFERENCE OF PART LIST

Page	SPP-121 Canadian Model				SPP-121 E Model		
	Ref. No.	Part No.	Description	Remark	Part No.	Description	Remark
24	* 5 6 8	A-3622-320-A 3-038-924-31 3-039-775-01	BASE MAIN BOARD, COMPLETE CABINET (LOWER) (121) SPACER		* A-3622-375-A 3-038-924-02	BASE MAIN BOARD, COMPLETE CABINET (LOWER)	
31	△	1-418-505-11 1-528-709-21 3-867-032-31	ADAPTOR, AC (AC-T56) BATTERY, NICKEL CADMIUM (BP-T16) MANUAL, INSTRUCTION (ENGLISH,FRENCH) (121)		△ 1-475-210-11 1-528-709-31 3-867-032-51 X-3368-367-2	ADAPTOR, AC (AC-T56) BATTERY, NICKEL CADMIUM (BP-T16) MANUAL, INSTRUCTION (ENGLISH, TRADITIONAL CHINESE) SCREW ASSY (for WALL HOOK)	

2. BLOCK DIAGRAM — BASE UNIT SECTION —

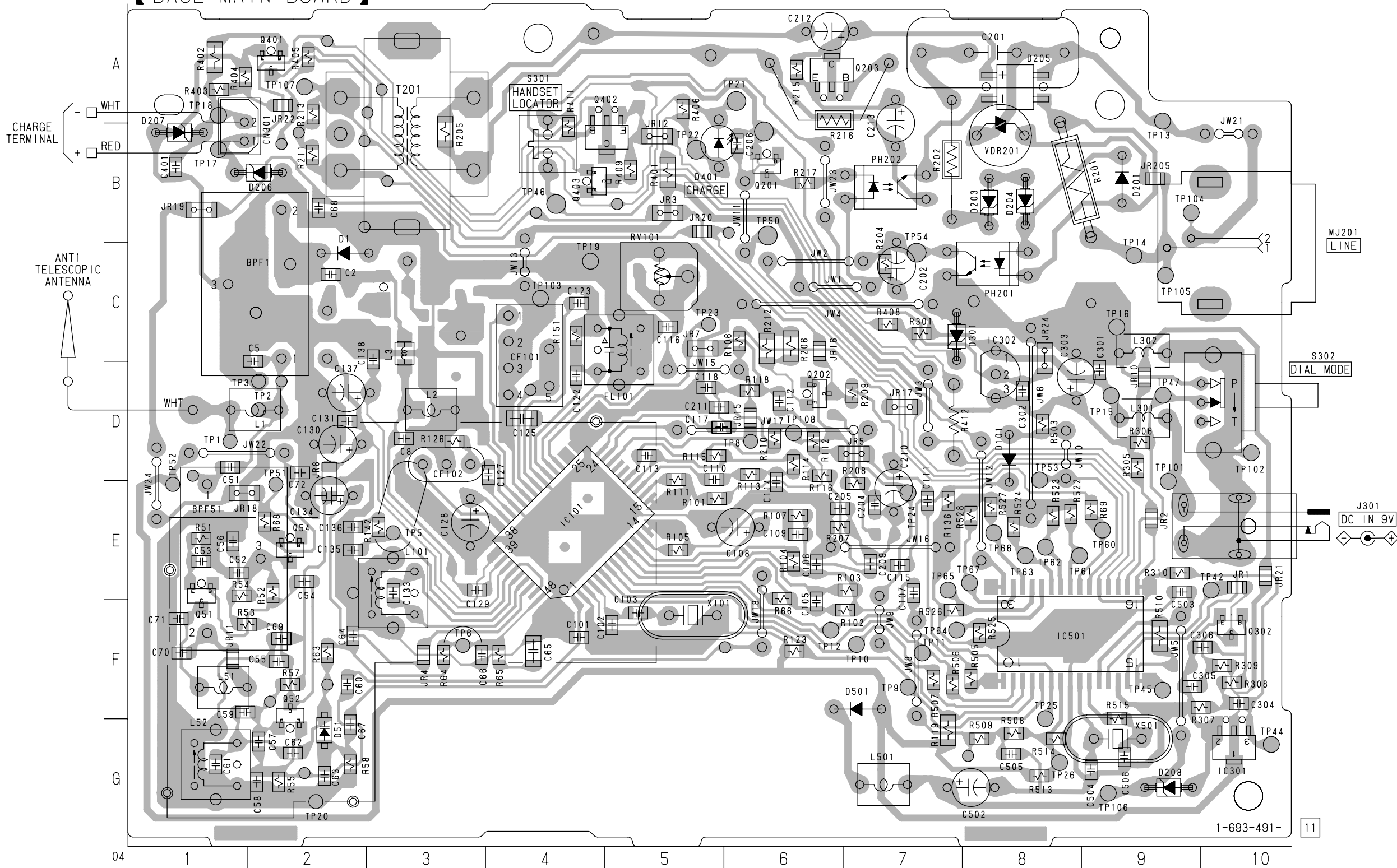


3. PRINTED WIRING BOARD — BASE UNIT SECTION —

【 BASE MAIN BOARD 】

• Semiconductor Location

Ref. No.	Location
D1	C-2
D51	G-2
D101	D-8
D201	B-9
D203	B-8
D204	B-8
D205	A-8
D206	B-2
D207	B-1
D208	G-9
D301	C-7
D401	B-5
D501	F-7
IC101	E-4
IC301	G-10
IC302	D-8
IC501	F-8
PH201	C-8
PH202	B-7
Q51	E-1
Q52	F-2
Q54	E-2
Q201	B-6
Q202	D-6
Q203	A-7
Q302	F-10
Q401	A-2
Q402	B-5
Q403	B-4



1-693-491- 11

Note on Printed Wiring Boards:

- : parts extracted from the component side.
- △ : internal component.
- ▨ : Pattern from the side which enables seeing.

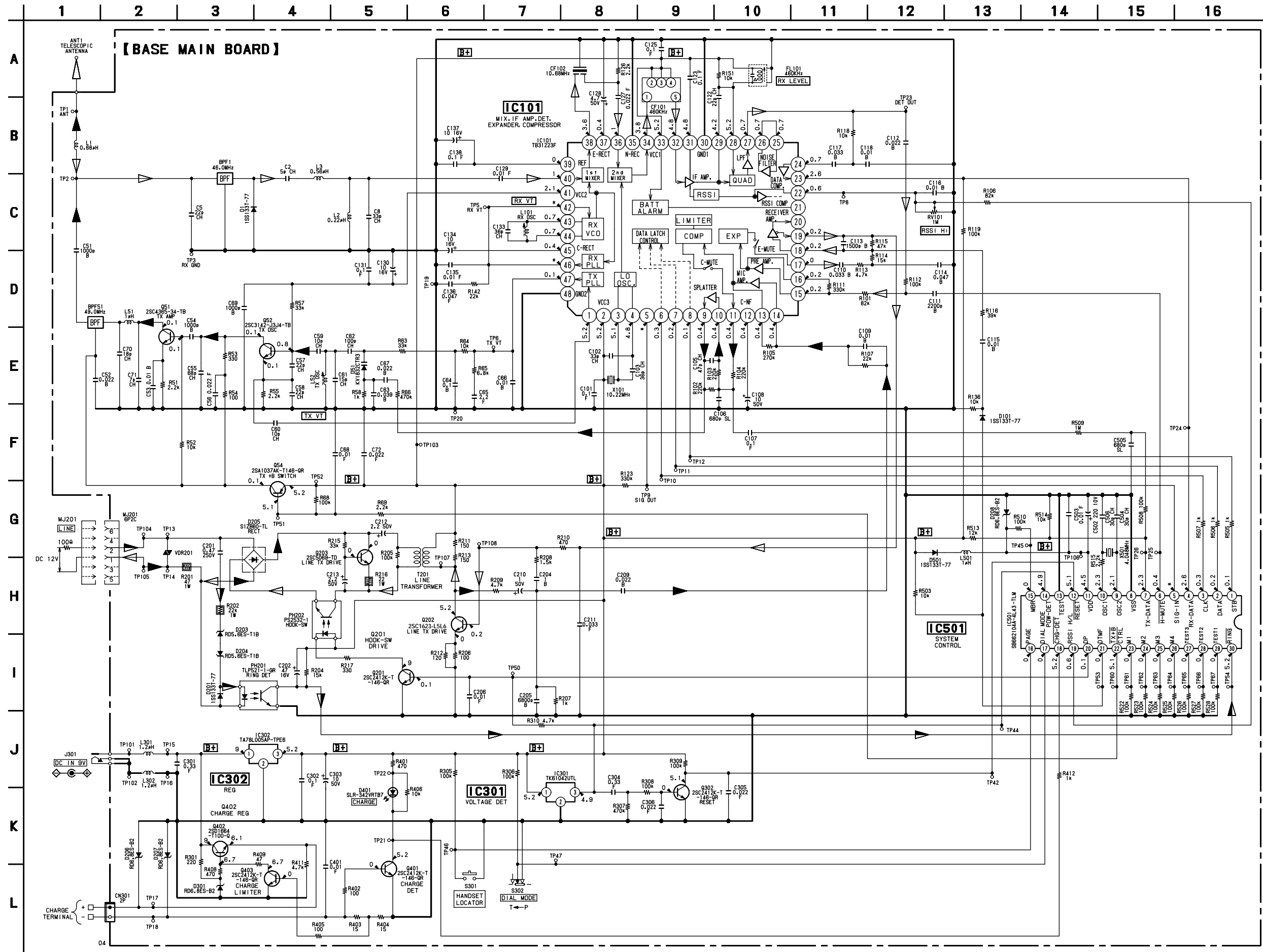
Note on Schematic Diagram:

- All capacitors are in μF unless otherwise noted. pF : μpF 50 WV or less are not indicated except for electrolytics and tantalums.
- All resistors are in Ω and $1/4\text{ W}$ or less unless otherwise specified.
- △ : internal component.
- ▨ : nonflammable resistor.
- ▭ : panel designation.
- ⊕ : B+ Line.

- ▭ : adjustment for repair.
- Power voltage is dc 9 V and fed with regulated dc power supply from external power voltage jack.
- Power voltage is dc 12 V and fed with regulated dc power supply from MJ201 with 100 Ω in series.
- Voltage is dc with respect to ground under no-signal condition.
- no mark : TALK
- * : Impossible to measure

- Voltages are taken with a VOM (Input impedance 10 M Ω). Voltage variations may be noted due to normal production tolerances.
- Signal path.
- ▽ : TX (To Tel Line)
- ▴ : RX (From Tel Line)
- ⬇ : bell

4. SCHEMATIC DIAGRAM — BASE UNIT SECTION —



BASE MAIN

Ref. No.	Part No.	Description			Remark	Ref. No.	Part No.	Description			Remark
R104	1-216-105-11	RES,CHIP	220K	5%	1/10W	R508	1-216-097-11	RES,CHIP	100K	5%	1/10W
R105	1-216-107-00	METAL CHIP	270K	5%	1/10W	R509	1-216-121-11	RES,CHIP	1M	5%	1/10W
R106	1-216-095-00	METAL CHIP	82K	5%	1/10W	R510	1-216-246-00	RES,CHIP	100K	5%	1/8W
R107	1-216-081-00	METAL CHIP	22K	5%	1/10W	R513	1-216-075-00	METAL CHIP	12K	5%	1/10W
R111	1-216-109-00	METAL CHIP	330K	5%	1/10W	R514	1-216-073-00	METAL CHIP	10K	5%	1/10W
R112	1-216-097-11	RES,CHIP	100K	5%	1/10W	R515	1-216-057-00	METAL CHIP	2.2K	5%	1/10W
R113	1-216-065-11	RES,CHIP	4.7K	5%	1/10W	R522	1-216-097-11	RES,CHIP	100K	5%	1/10W
R114	1-216-077-11	RES,CHIP	15K	5%	1/10W	R523	1-216-097-11	RES,CHIP	100K	5%	1/10W
R115	1-216-089-11	RES,CHIP	47K	5%	1/10W	R524	1-216-097-11	RES,CHIP	100K	5%	1/10W
R116	1-216-689-11	METAL CHIP	39K	0.5%	1/10W	R525	1-216-097-11	RES,CHIP	100K	5%	1/10W
R118	1-216-073-00	METAL CHIP	10K	5%	1/10W	R526	1-216-097-11	RES,CHIP	100K	5%	1/10W
R119	1-216-246-00	RES,CHIP	100K	5%	1/8W	R527	1-216-097-11	RES,CHIP	100K	5%	1/10W
R123	1-216-109-00	METAL CHIP	330K	5%	1/10W	R528	1-216-097-11	RES,CHIP	100K	5%	1/10W
R126	1-216-053-00	METAL CHIP	2.2K	5%	1/10W			< VARIABLE RESISTOR >			
R136	1-216-073-00	METAL CHIP	10K	5%	1/10W						
R142	1-216-081-00	METAL CHIP	22K	5%	1/10W	RV101	1-241-770-11	RES, ADJ, CARBON	1M		
R151	1-216-073-00	METAL CHIP	10K	5%	1/10W			< SWITCH >			
R201	1-215-861-00	METAL OXIDE	47	5%	1W F						
R202	1-215-877-11	METAL OXIDE	22K	5%	1W F	S301	1-571-977-11	SWITCH, TACTILE (HANDSET LOCATOR)			
R204	1-216-077-11	RES,CHIP	15K	5%	1/10W	S302	1-692-991-11	SWITCH, SLIDE (DIAL MODE)			
R205	1-216-246-00	RES,CHIP	100K	5%	1/8W			< TRANSFORMER >			
R206	1-216-174-00	RES,CHIP	100	5%	1/8W						
R207	1-216-049-11	RES,CHIP	1K	5%	1/10W	T201	1-431-832-11	TRANSFORMER, LINE			
R208	1-216-053-00	METAL CHIP	1.5K	5%	1/10W			< VARISTOR >			
R209	1-216-065-11	RES,CHIP	4.7K	5%	1/10W						
R210	1-216-041-00	METAL CHIP	470	5%	1/10W	VDR201	1-801-025-21	VARISTOR ERZV07D201			
R211	1-216-029-00	METAL CHIP	150	5%	1/10W			< VIBRATOR >			
R212	1-216-176-11	RES,CHIP	120	5%	1/8W	X101	1-760-325-11	VIBRATOR, CRYSTAL (10.22MHZ)			
R213	1-216-029-00	METAL CHIP	150	5%	1/10W	X501	1-760-324-11	VIBRATOR, CRYSTAL (4.048MHZ)			
R215	1-216-085-00	METAL CHIP	33K	5%	1/10W						
R216	1-215-859-00	METAL OXIDE	22	5%	1W F						
R217	1-216-037-00	METAL CHIP	330	5%	1/10W						
R301	1-216-033-00	METAL CHIP	220	5%	1/10W						
R305	1-216-097-11	RES,CHIP	100K	5%	1/10W						
R306	1-216-097-11	RES,CHIP	100K	5%	1/10W						
R307	1-216-113-00	METAL CHIP	470K	5%	1/10W						
R308	1-216-097-11	RES,CHIP	100K	5%	1/10W						
R309	1-216-097-11	RES,CHIP	100K	5%	1/10W						
R310	1-216-065-11	RES,CHIP	4.7K	5%	1/10W						
R401	1-216-190-00	RES,CHIP	470	5%	1/8W						
R402	1-216-174-00	RES,CHIP	100	5%	1/8W						
R403	1-216-005-00	METAL CHIP	15	5%	1/10W						
R404	1-216-005-00	METAL CHIP	15	5%	1/10W						
R405	1-216-025-11	RES,CHIP	100	5%	1/10W						
R406	1-216-073-00	METAL CHIP	10K	5%	1/10W						
R408	1-216-041-00	METAL CHIP	470	5%	1/10W						
R409	1-216-017-11	RES,CHIP	47	5%	1/10W						
R411	1-216-065-11	RES,CHIP	4.7K	5%	1/10W						
R412	1-249-417-11	CARBON	1K	5%	1/4W						
R503	1-216-073-00	METAL CHIP	10K	5%	1/10W						
R505	1-216-049-11	RES,CHIP	1K	5%	1/10W						
R506	1-216-049-11	RES,CHIP	1K	5%	1/10W						
R507	1-216-049-11	RES,CHIP	1K	5%	1/10W						

