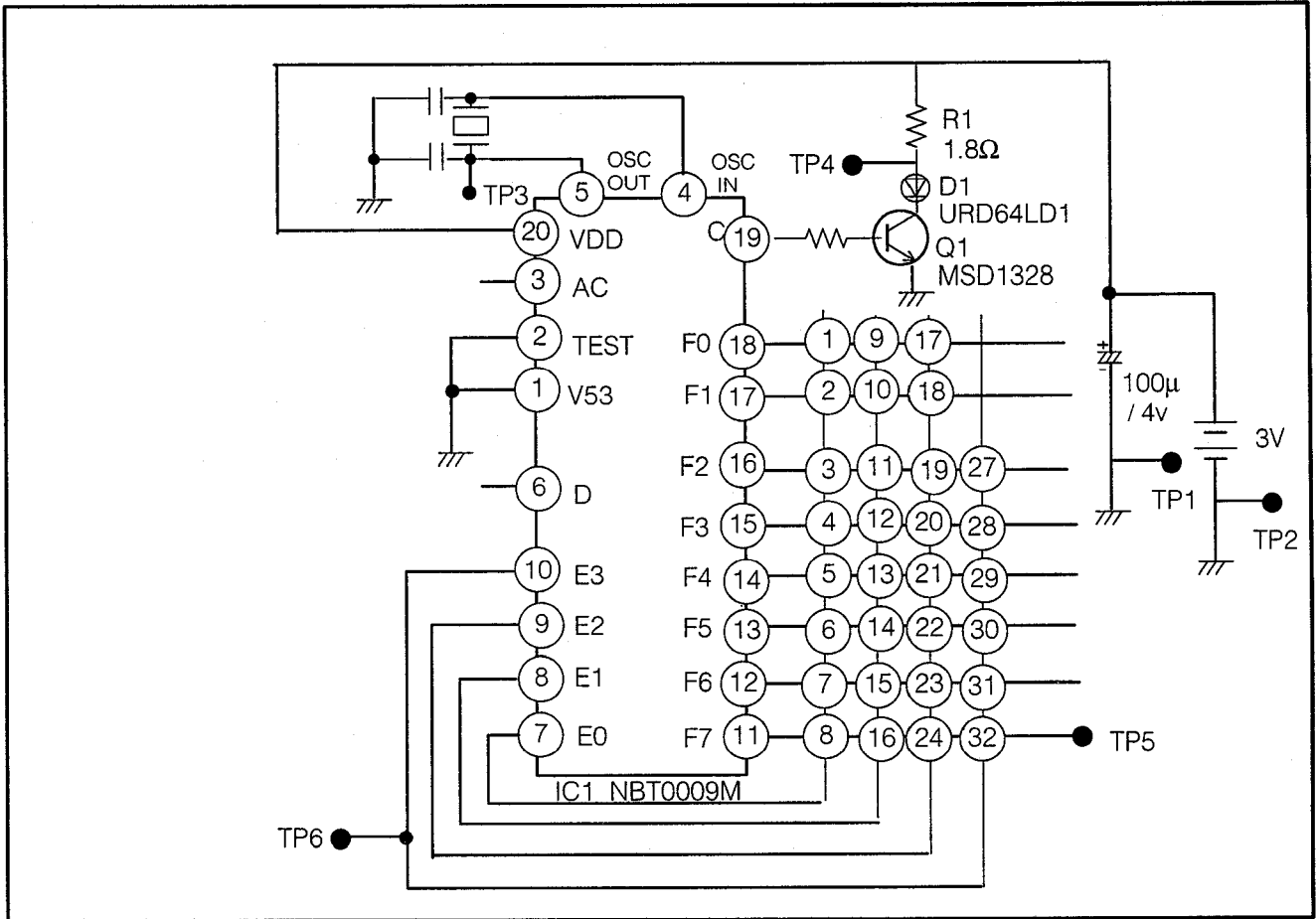
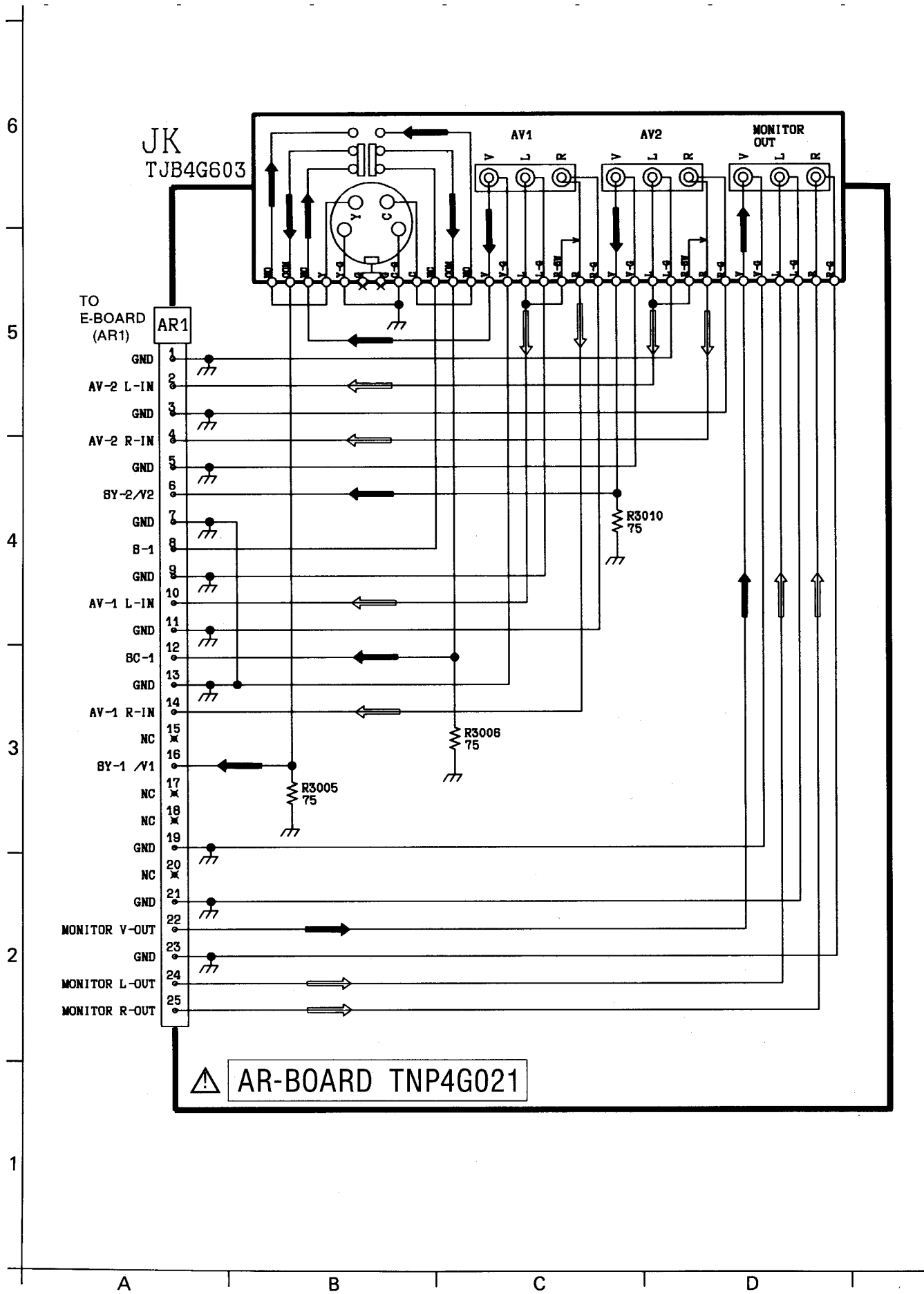


Remote Controller EUR501325

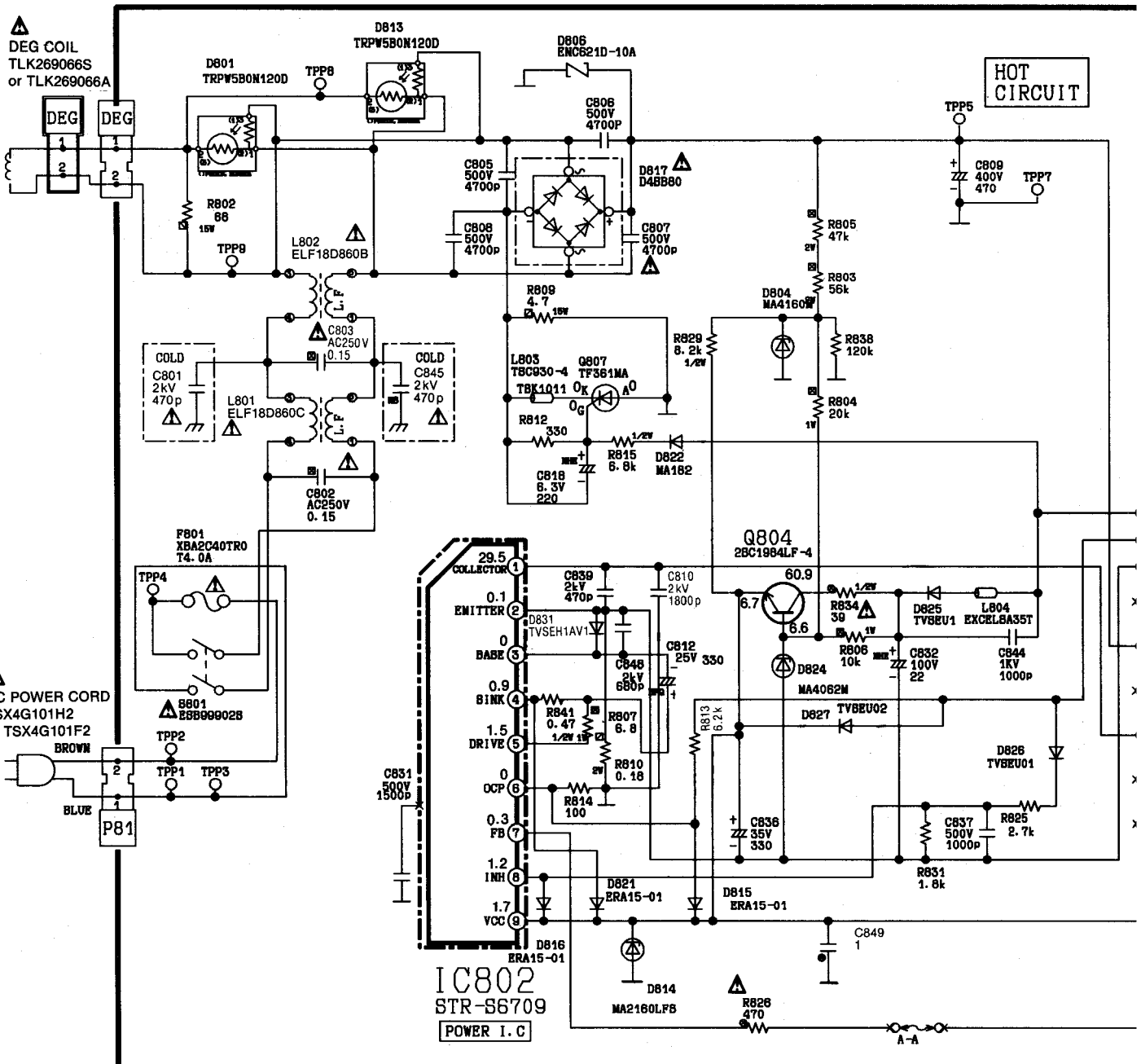


Key Function Table

Key No.	Data Code	Function	Key No.	Data Code	Function	Key No.	Data Code	Function
1	05	TV / AV	2	06	PICTURE	3	—	—
4	07	SOUND MUTE	5	0C	NORMAL	6	0F	OFF TIMER
7	10	CH 1	8	11	CH 2	9	12	CH 3
10	13	CH 4	11	14	CH 5	12	15	CH 6
13	16	CH 7	14	17	CH 8	15	18	CH 9
16	19	CH 10 / 0	17	—	—	18	—	—
19	—	—	20	—	—	21	—	—
22	20	VOL UP	23	21	VOL DN	24	31	SURROUND
25	—	—	26	—	—	27	34	CH UP
28	35	CH DN	29	39	RECALL	30	—	—
31	3B	2 DIGIT	32	3D	TV POWER			



6
5
4
3
2
1



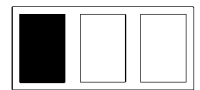
DEG COIL
TLK269066S
or TLK269066A

AC POWER CORD
TSX4G101H2
or TSX4G101F2

HOT
CIRCUIT

IC802
STR-S6709
POWER I.C.

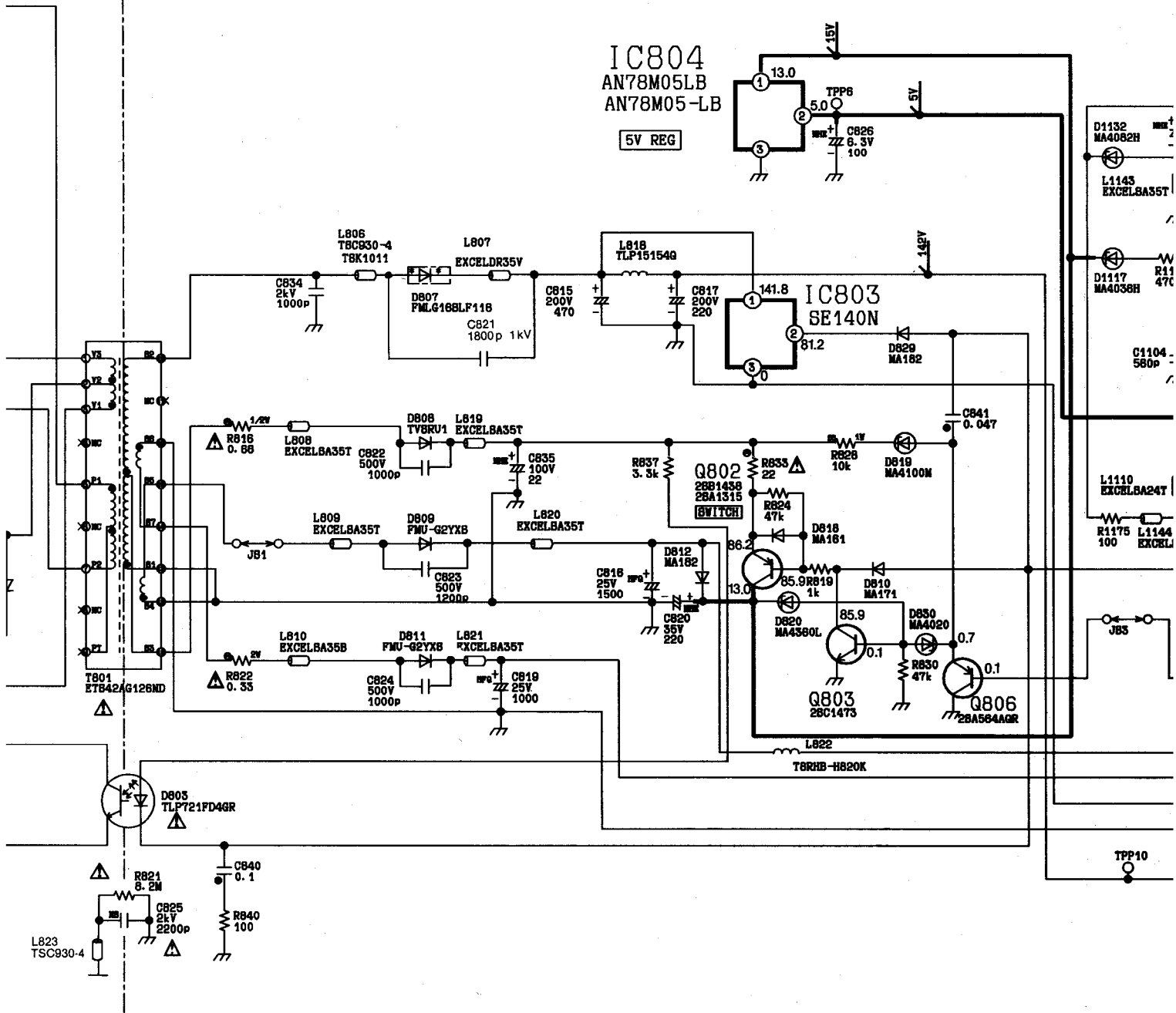
L823
TSC930-4



IT

COLD
CIRCUIT

⚠ P-BOARD TNP4G029AH
(Except New Zea



F

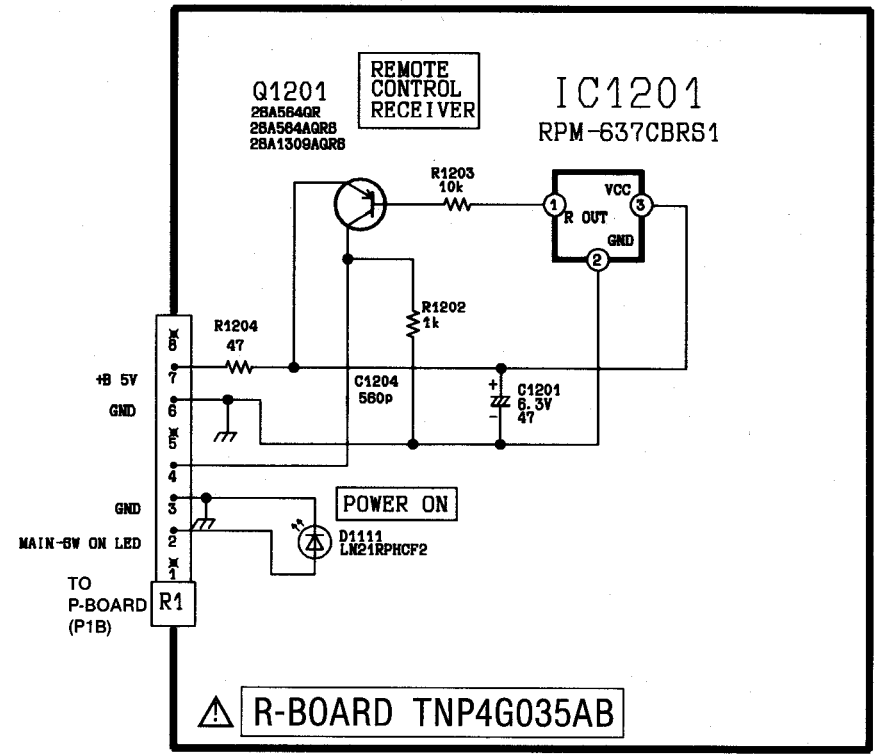
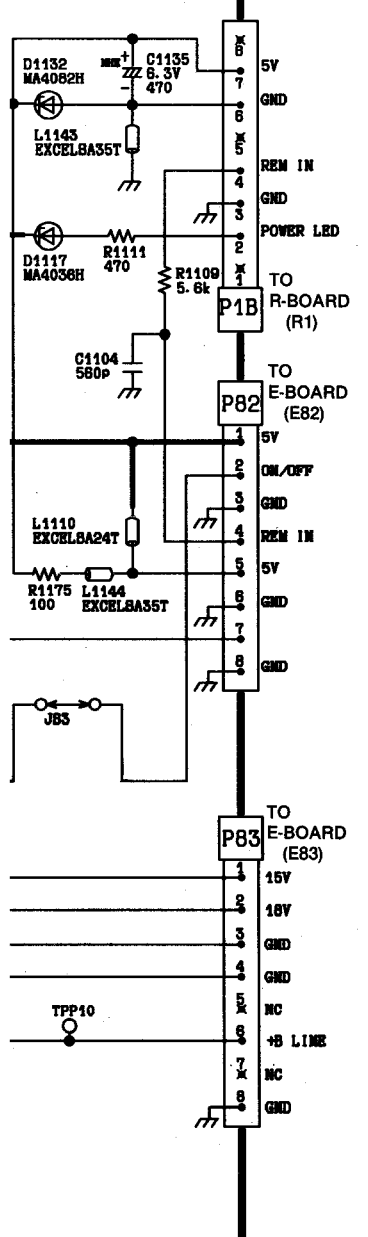
G

H

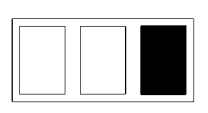
J



9AH
(New Zealand)



J | K | L | M | N



6

5

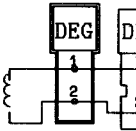
4

3

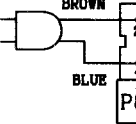
2

1

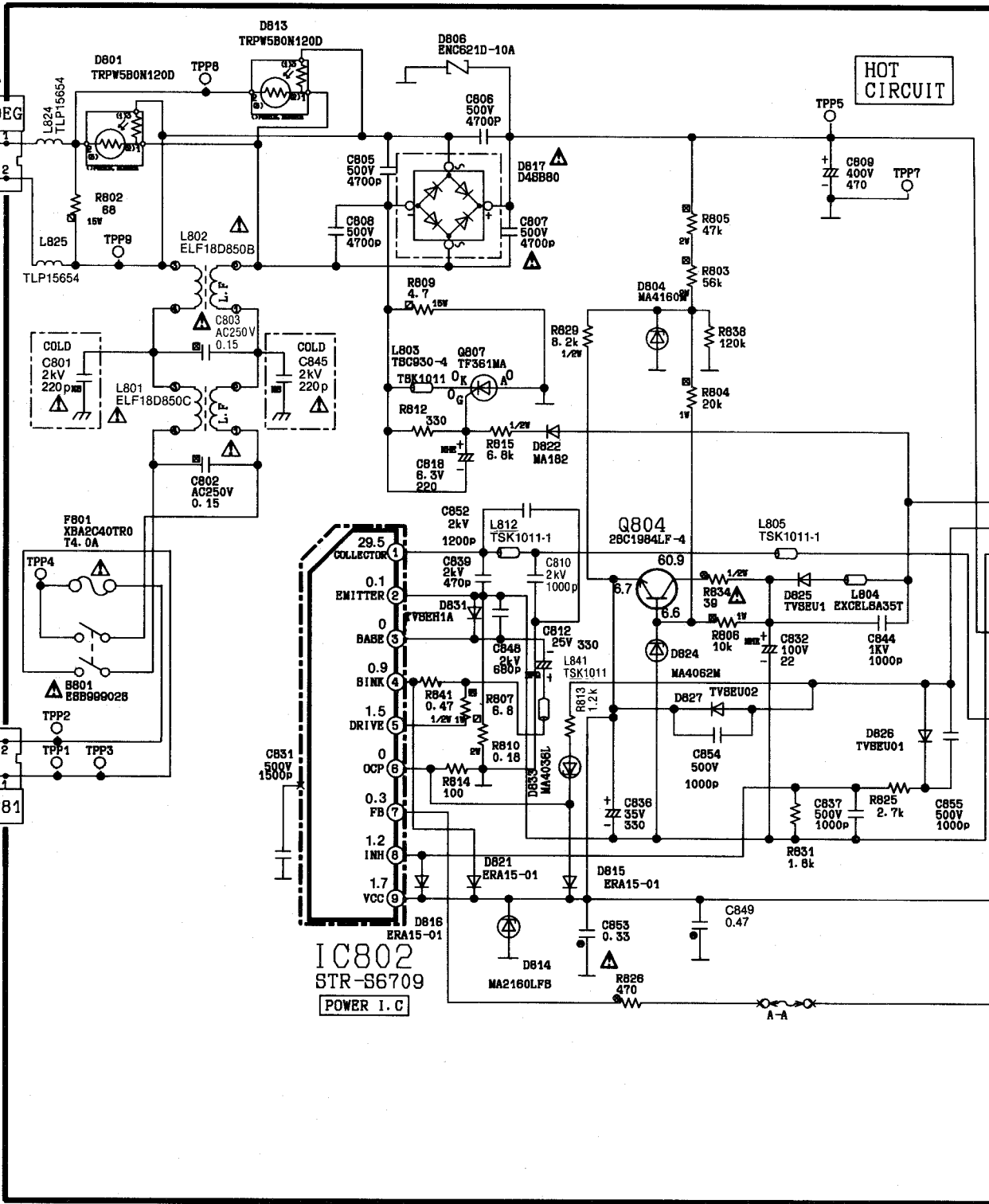
DEG COIL
TLK269066S
or TLK269066A



AC POWER CORD
TSX4G108H2
or TSX4G103F3



HOT
CIRCUIT



IC802
STR-S6709
POWER I.C

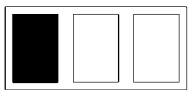
A

B

C

D

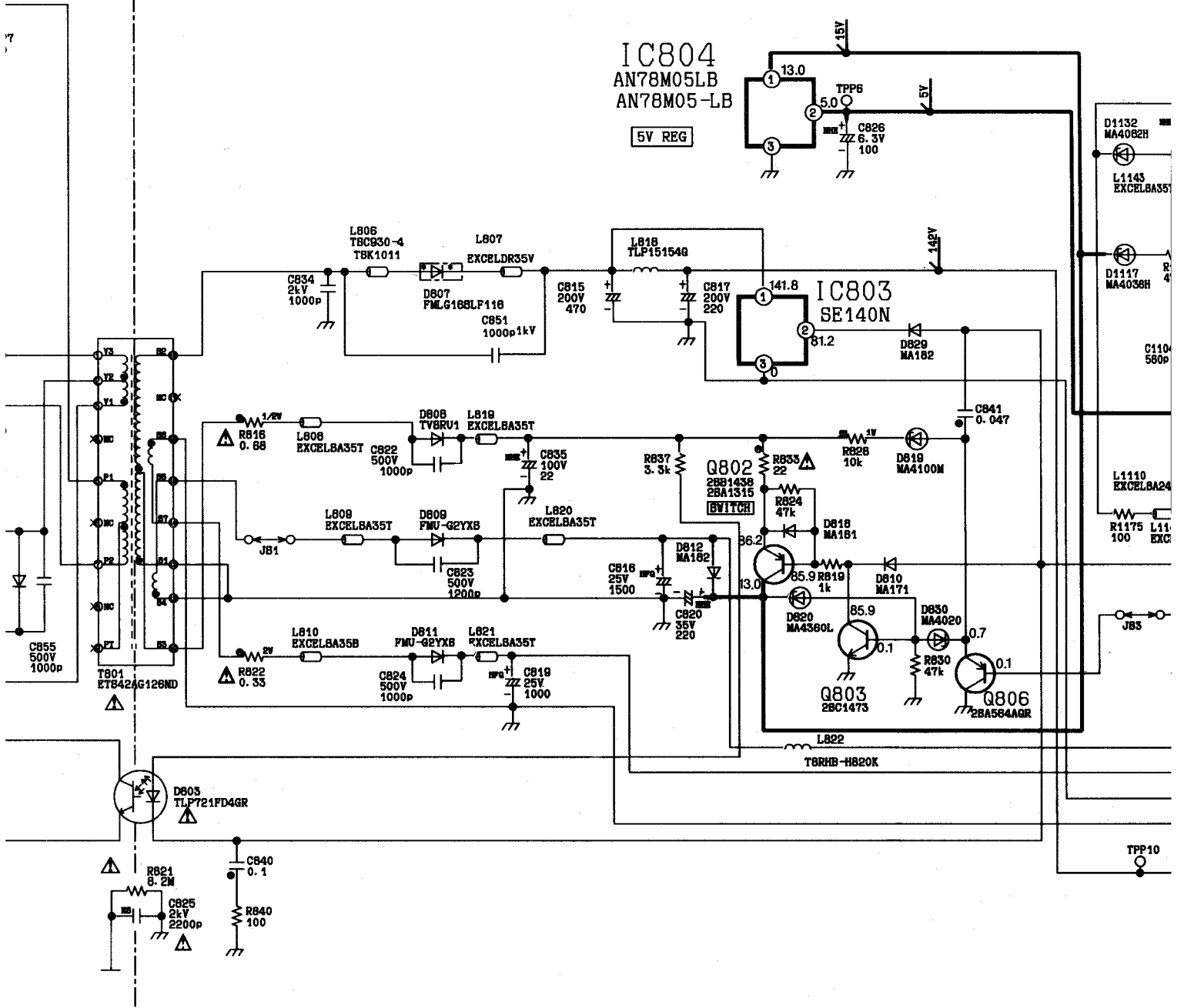
E



UIT

COLD
CIRCUIT

⚠ P-BOARD TNP4G029AD
(For New Zealand)



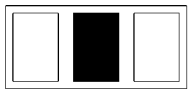
F

G

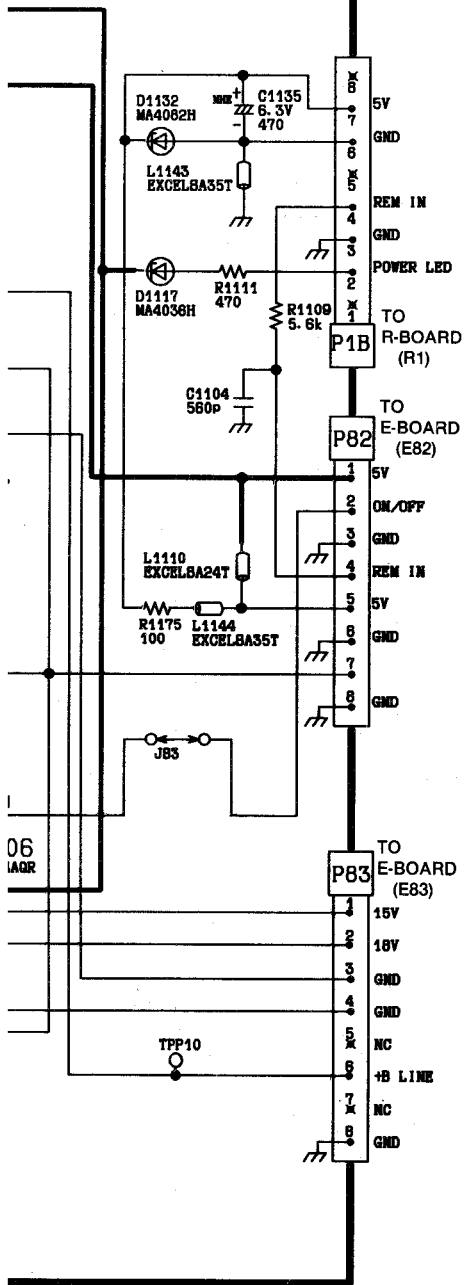
H

I

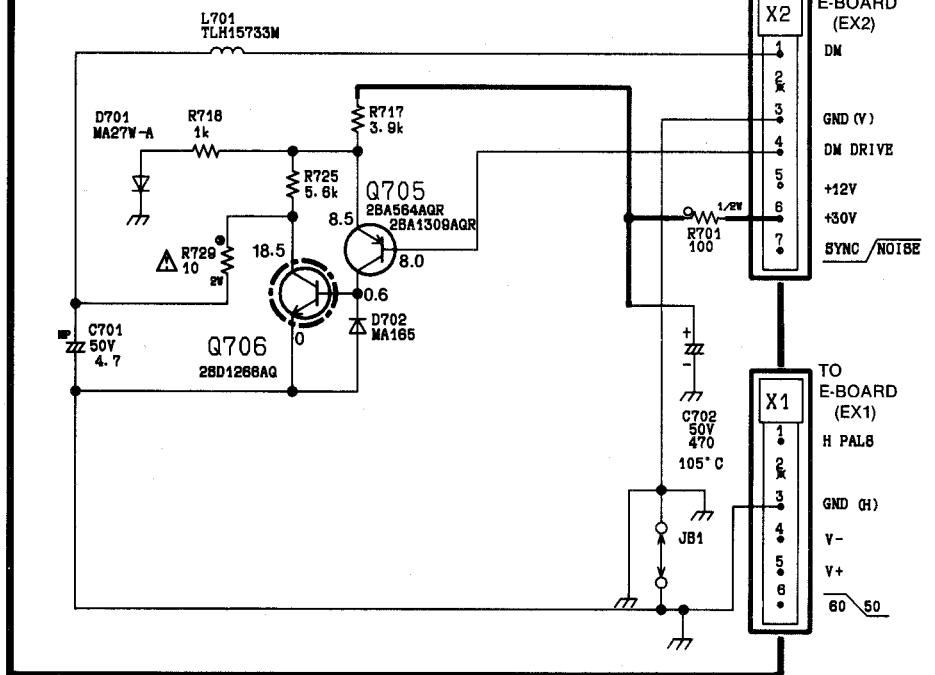
J



TNP4G029AD
(For New Zealand)

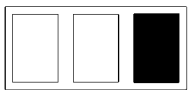


X-BOARD TNP4G030AG



06
IAQR

J K L M N



6

5

4

3

2

1

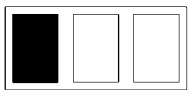
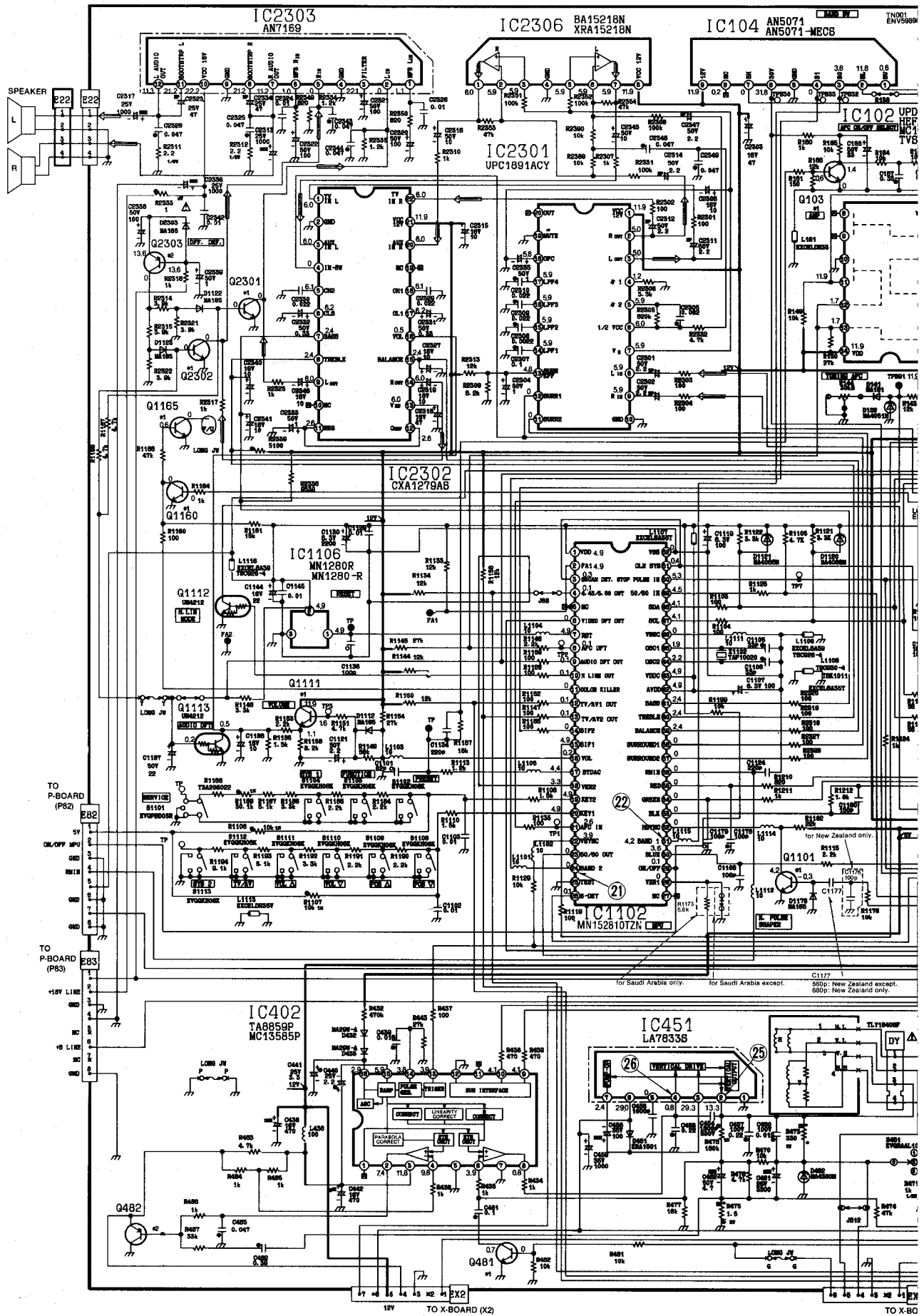
A

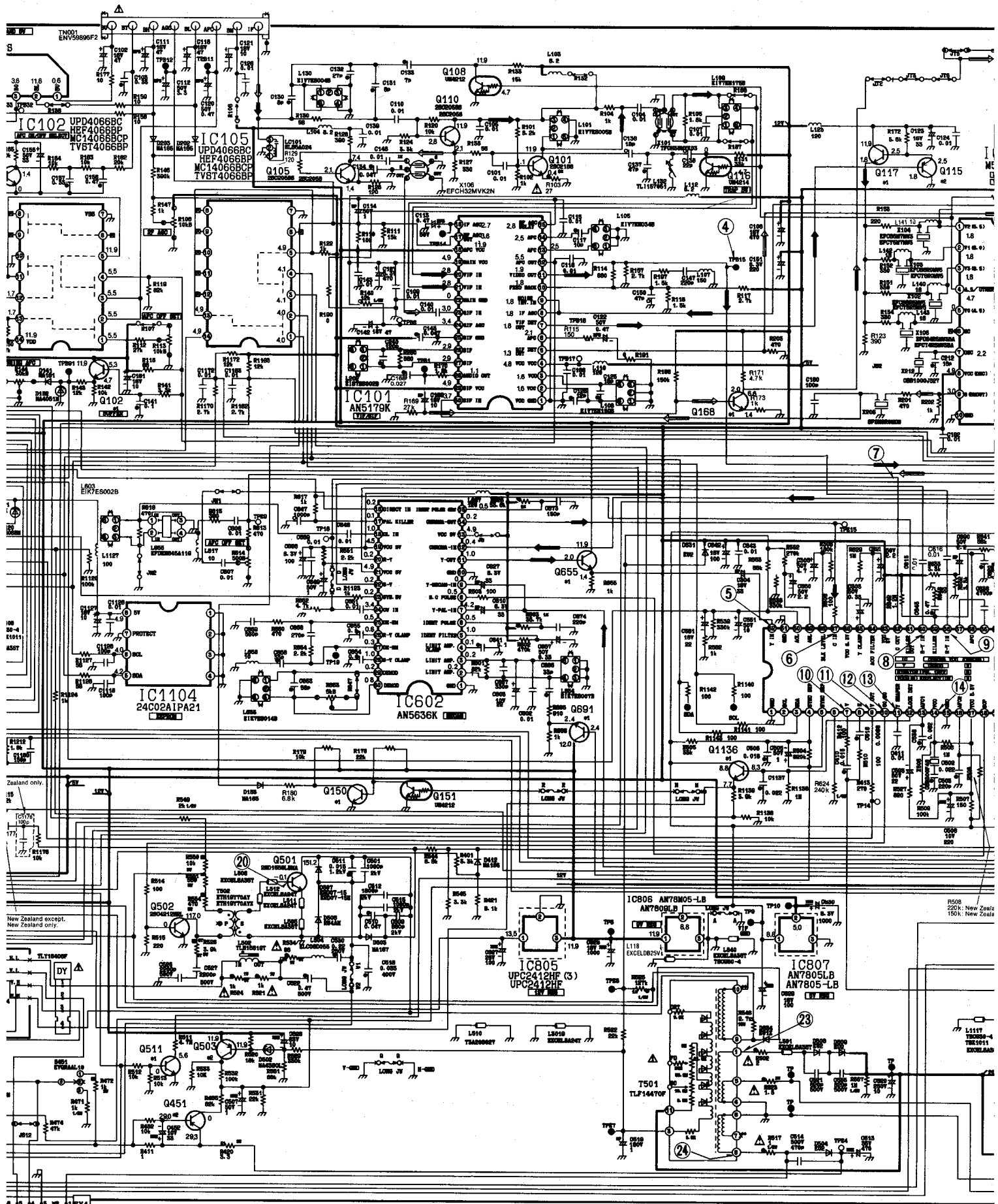
B

C

D

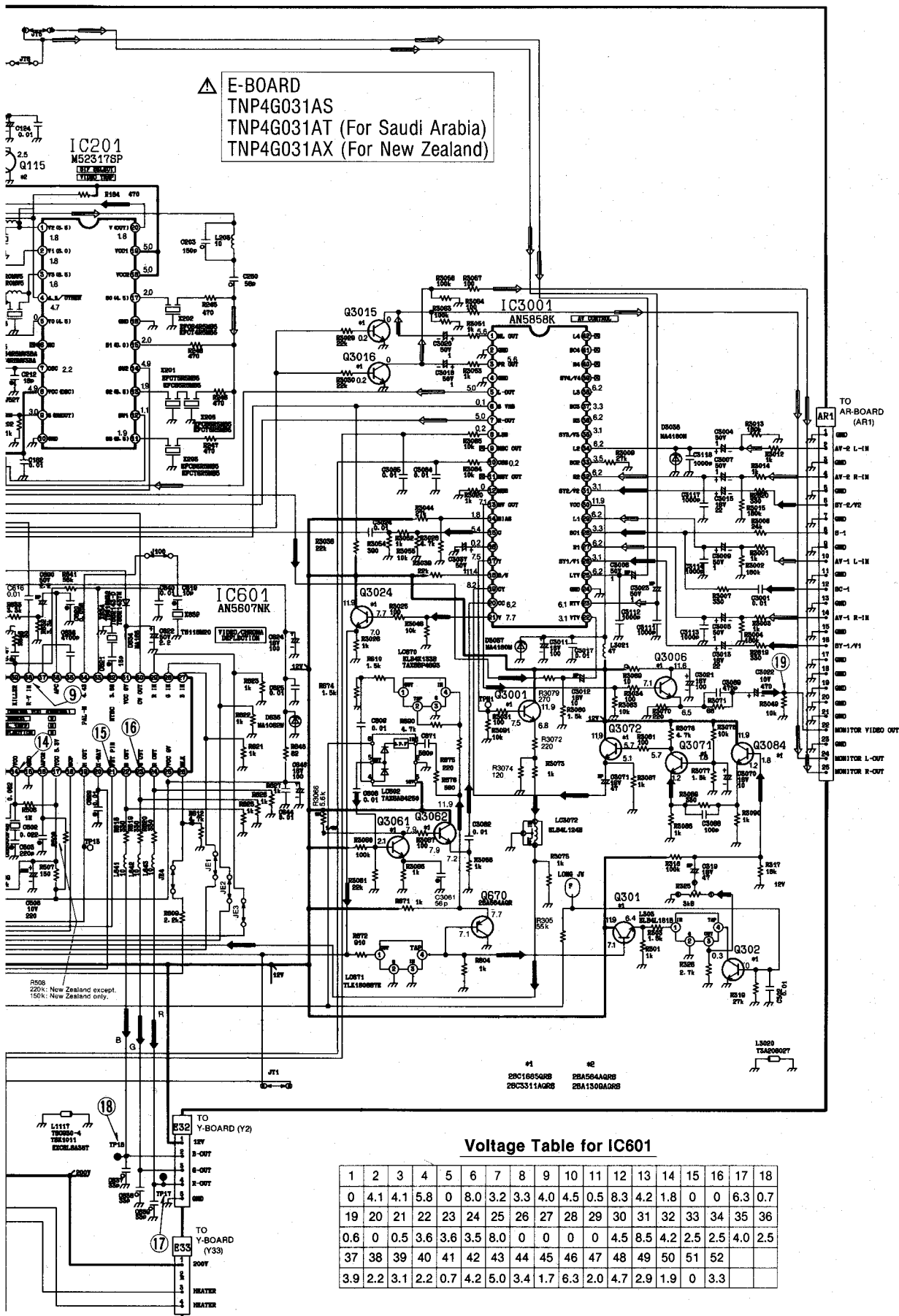
E





E F G H I J





⚠ E-BOARD
 TNP4G031AS
 TNP4G031AT (For Saudi Arabia)
 TNP4G031AX (For New Zealand)

Voltage Table for IC601

1	2	3	4	5	6	7	8	9	10	11	12	13	14	15	16	17	18
0	4.1	4.1	5.8	0	8.0	3.2	3.3	4.0	4.5	0.5	8.3	4.2	1.8	0	0	6.3	0.7
19	20	21	22	23	24	25	26	27	28	29	30	31	32	33	34	35	36
0.6	0	0.5	3.6	3.6	3.5	8.0	0	0	0	0	4.5	8.5	4.2	2.5	2.5	4.0	2.5
37	38	39	40	41	42	43	44	45	46	47	48	49	50	51	52		
3.9	2.2	3.1	2.2	0.7	4.2	5.0	3.4	1.7	6.3	2.0	4.7	2.9	1.9	0	3.3		

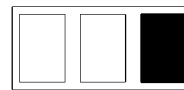
J

K

L

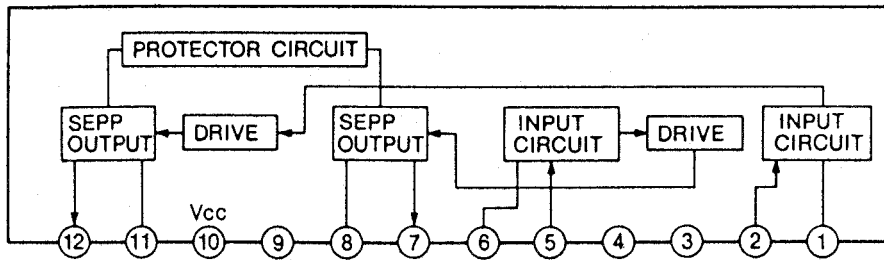
M

N

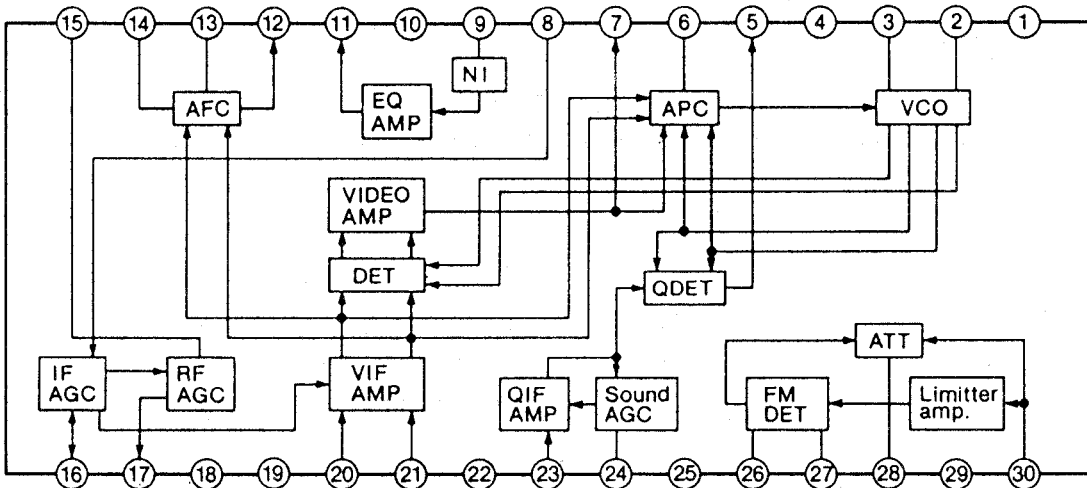


Block Diagram for Integrated Circuits

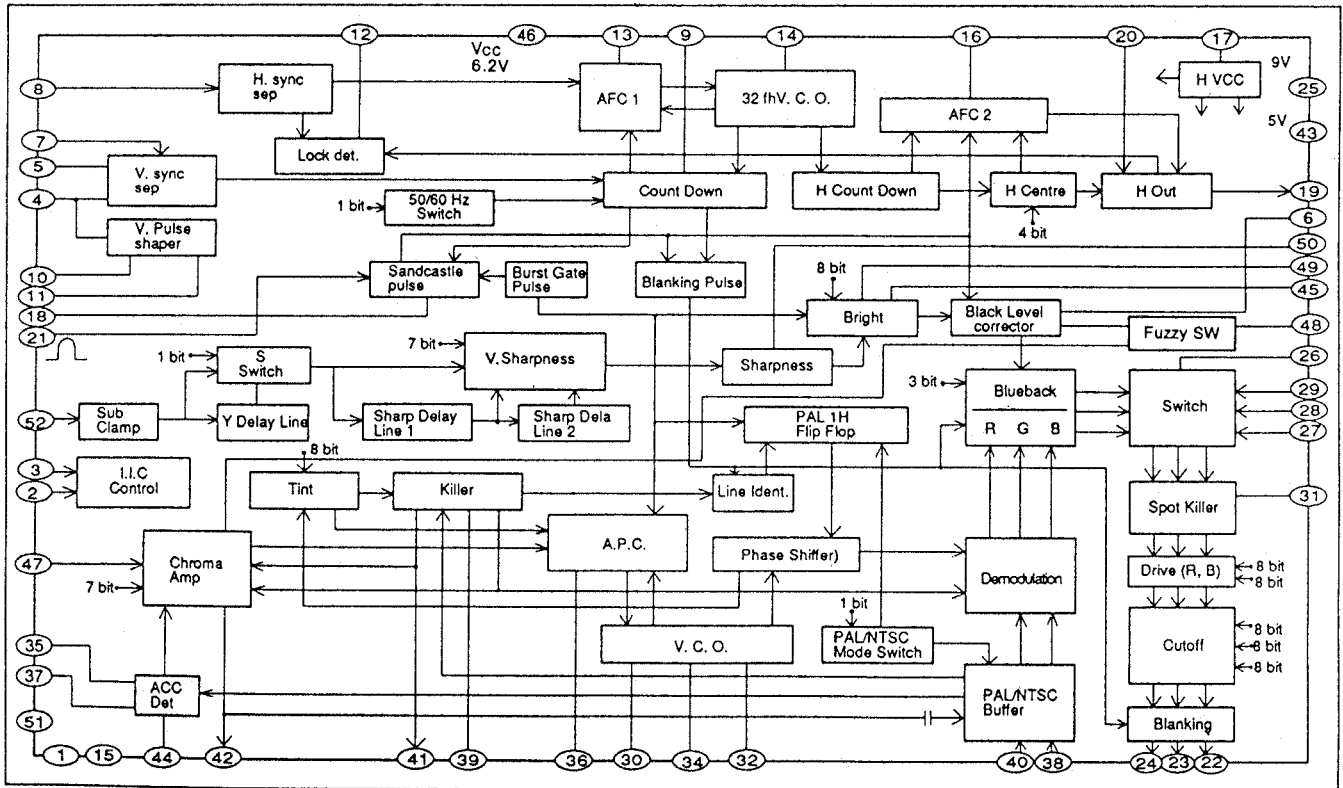
IC2303 (AN7169)



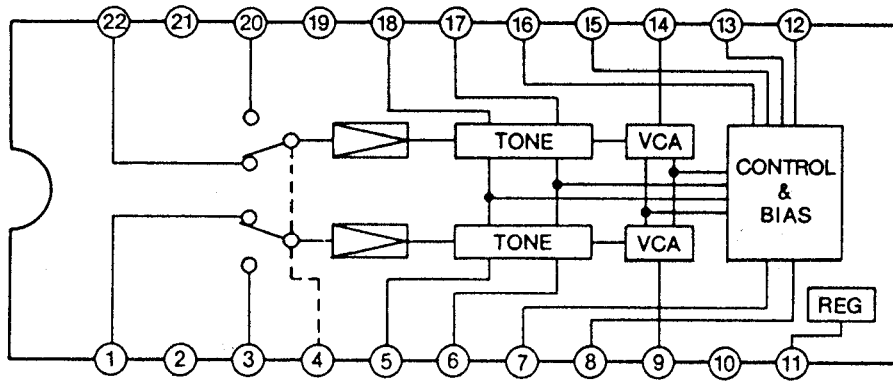
IC101 (AN5179NK)



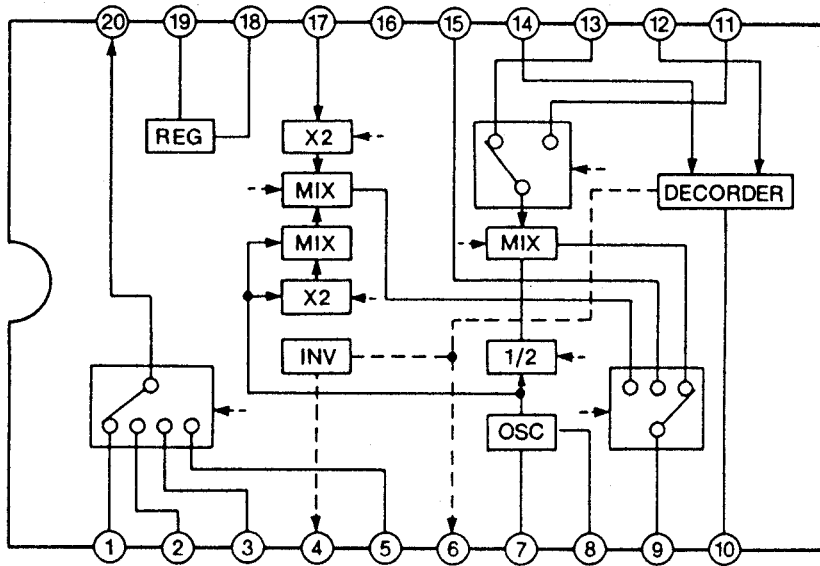
IC601 (AN5607NK)



IC2302 (CXA1279AS)

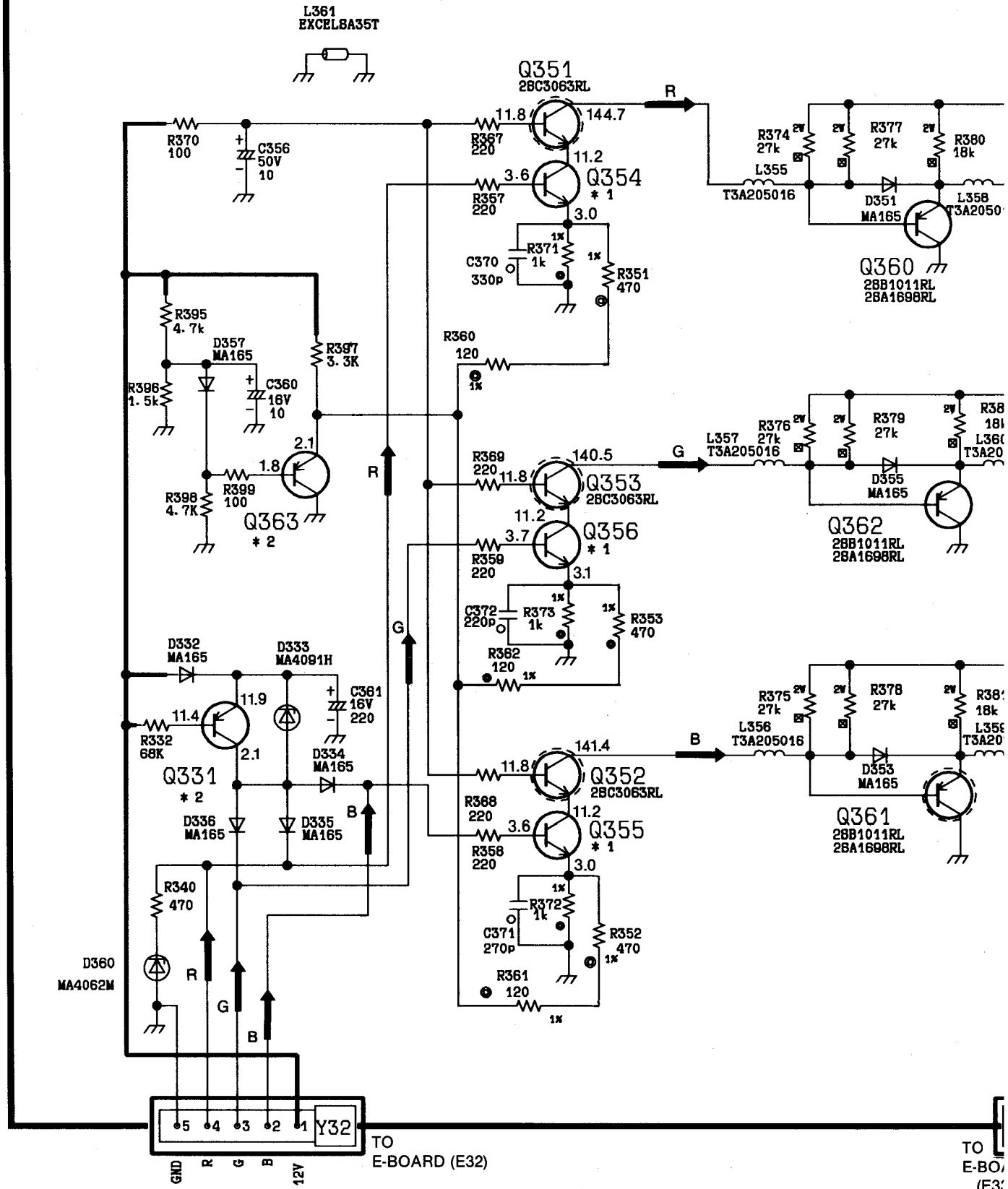


IC201 (M52317SP)



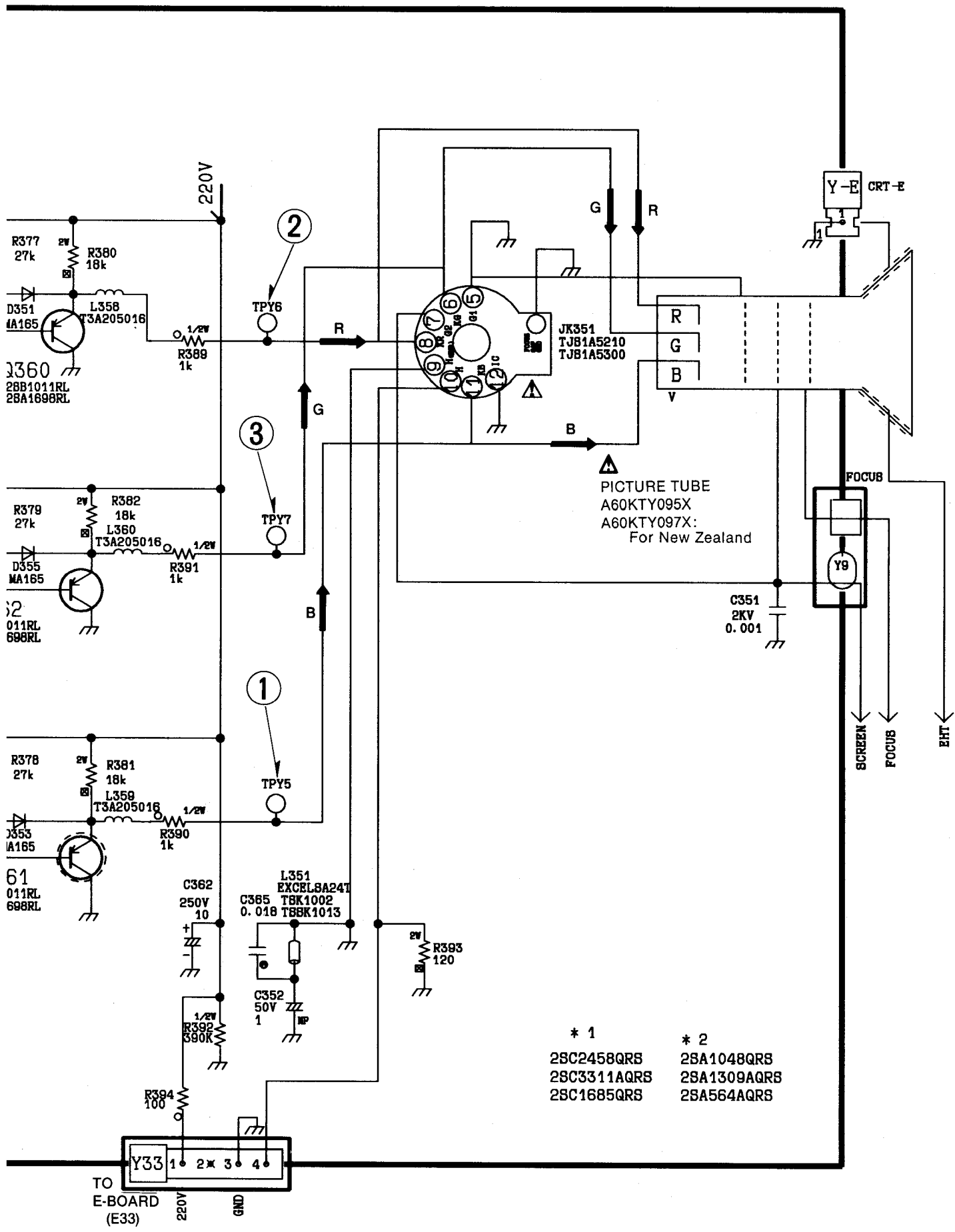
Y-BOARD TNP4G034AD

6
5
4
3
2
1



A | B | C | D | E





E | F | G | H | I | J

