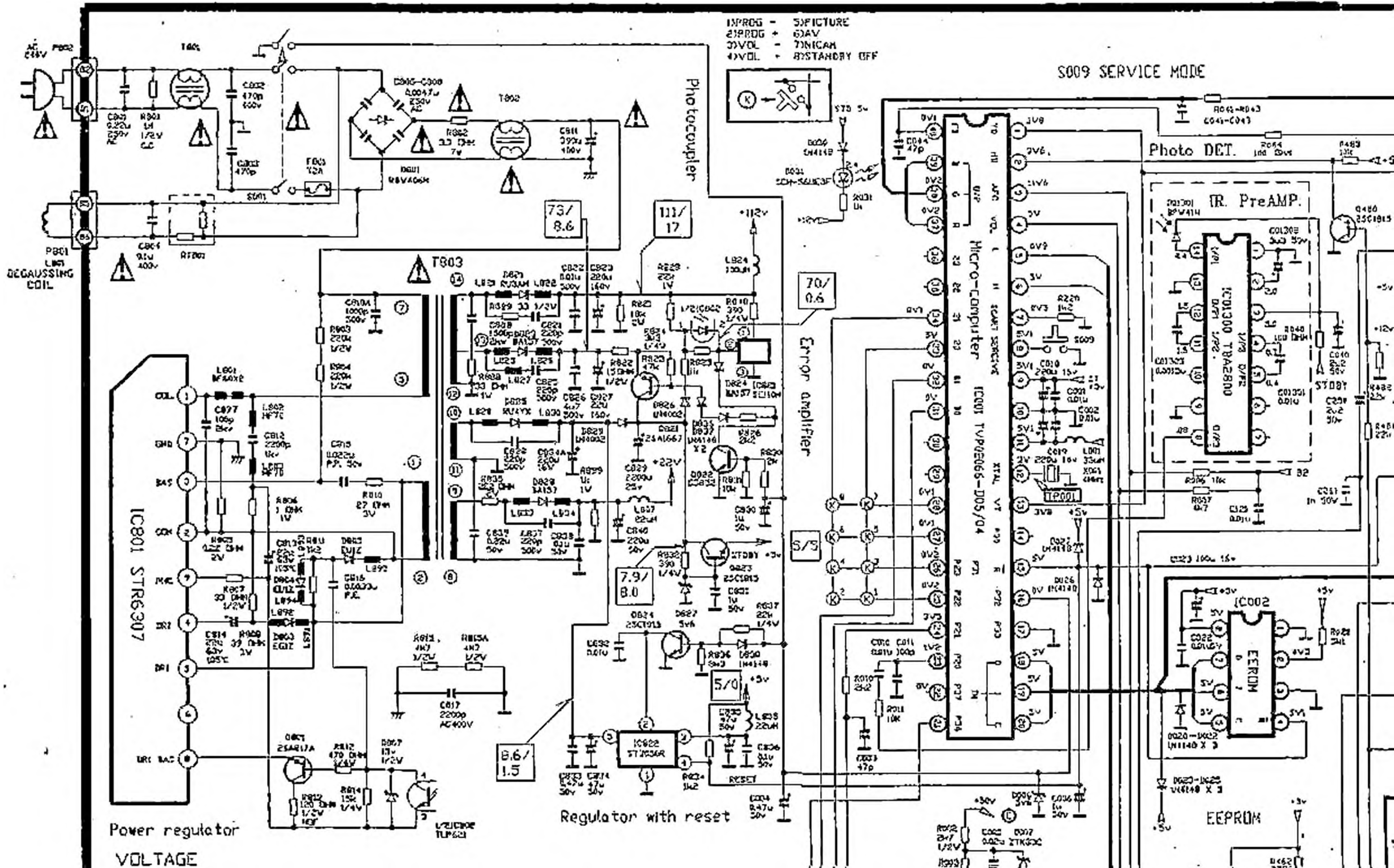
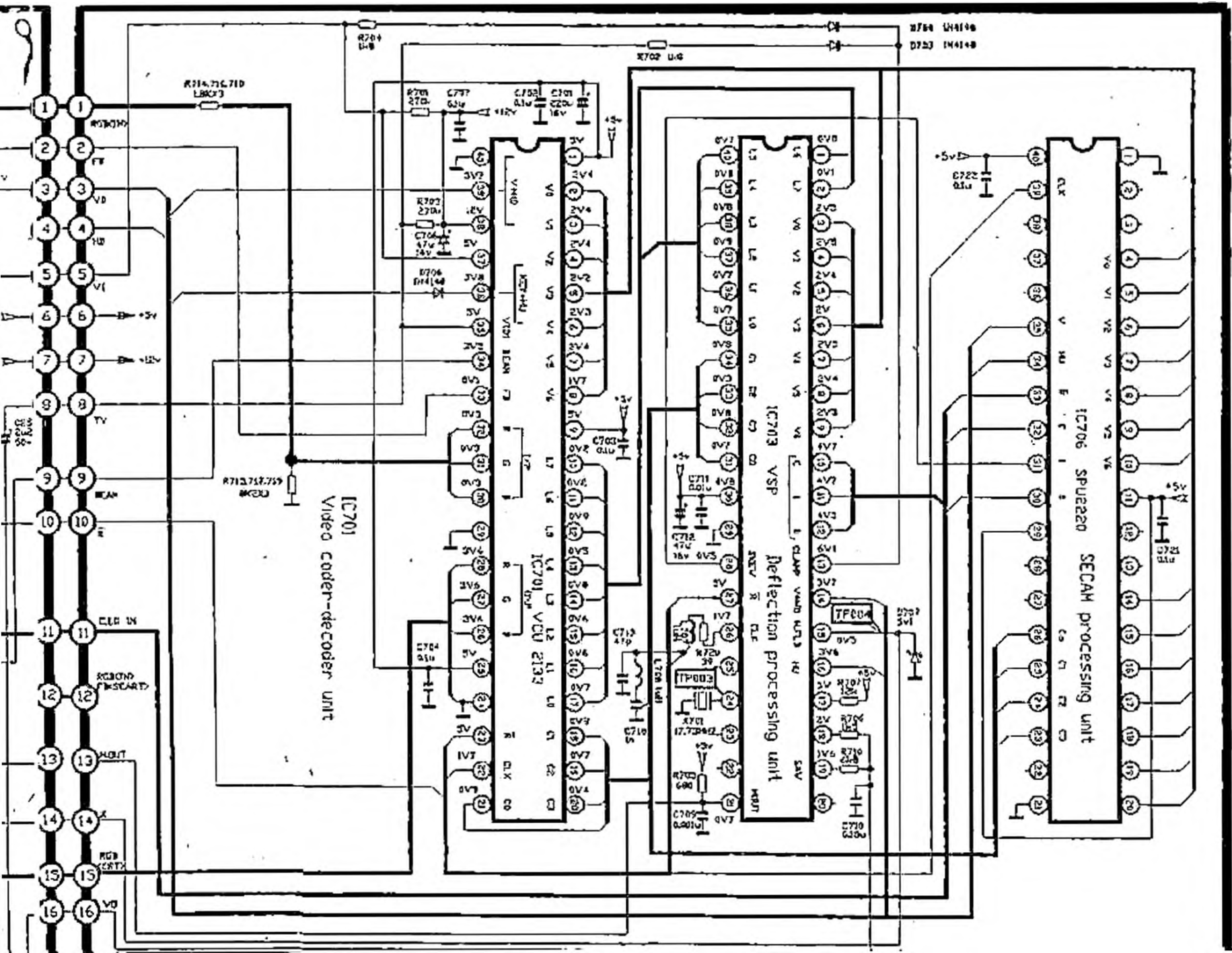
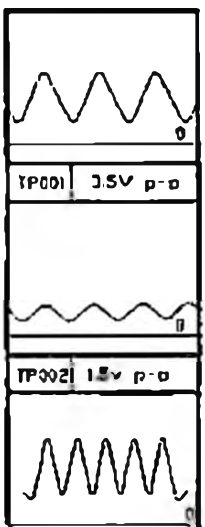


# SCHEMATIC DIAGRAM TV-2102, TV-2002, TV-1402 aiwa

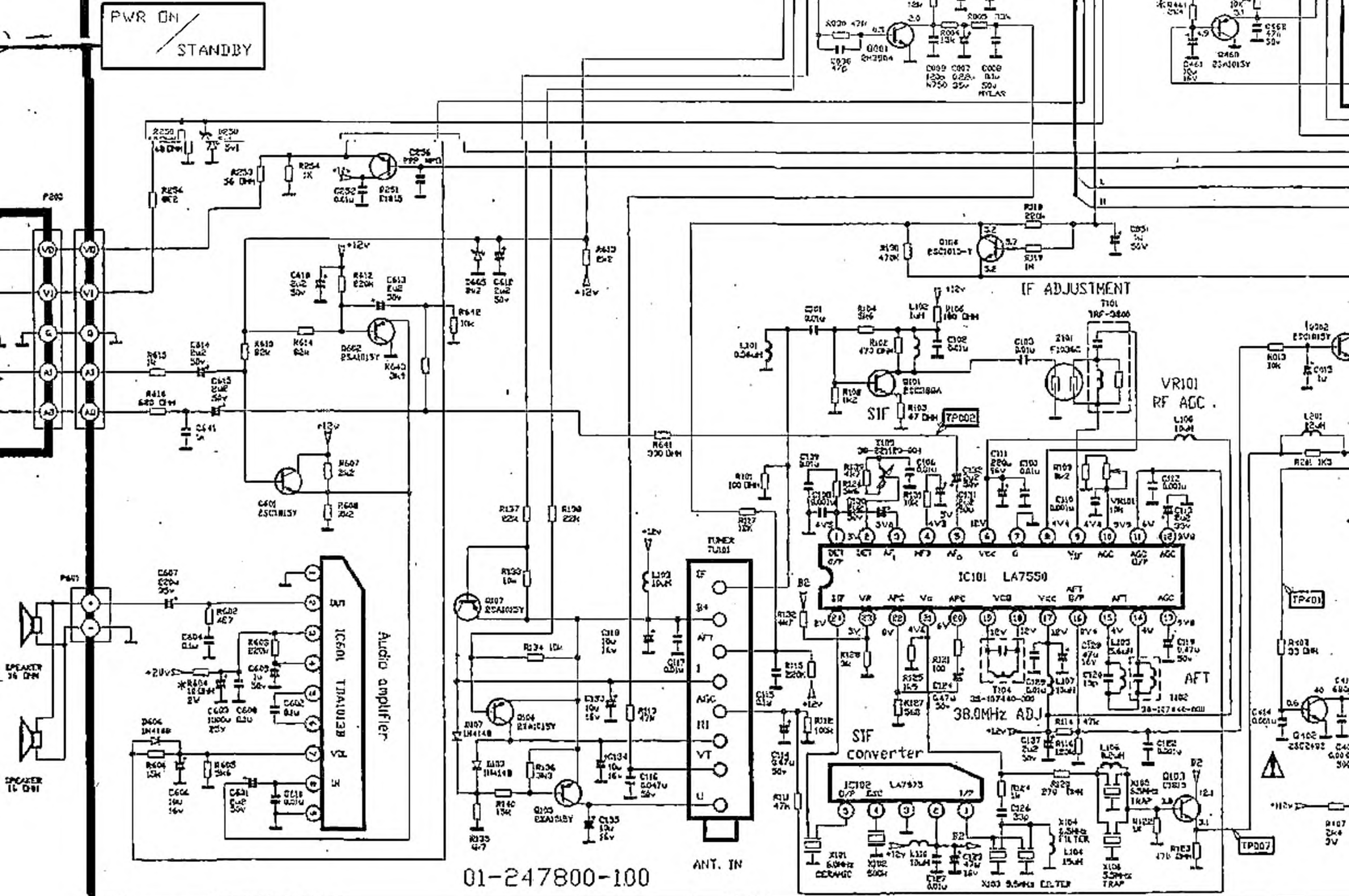




ITEM	TV-2002	TV-1402
*C401	39uH	50uH
*C401	0.3u	0.3u
*C402	0200p	6000p
*C404	350p	500p
*R412	0.68	0.68
*R451	2K4	2K7
*R504	10	18
*Q508	2SC1815Y	—
*D508	1N4148	—
*R520	220K	—
*C529	100u 16V	—



PWR ON / STANDBY



01-247800-100

Vertical deflection circuitry

