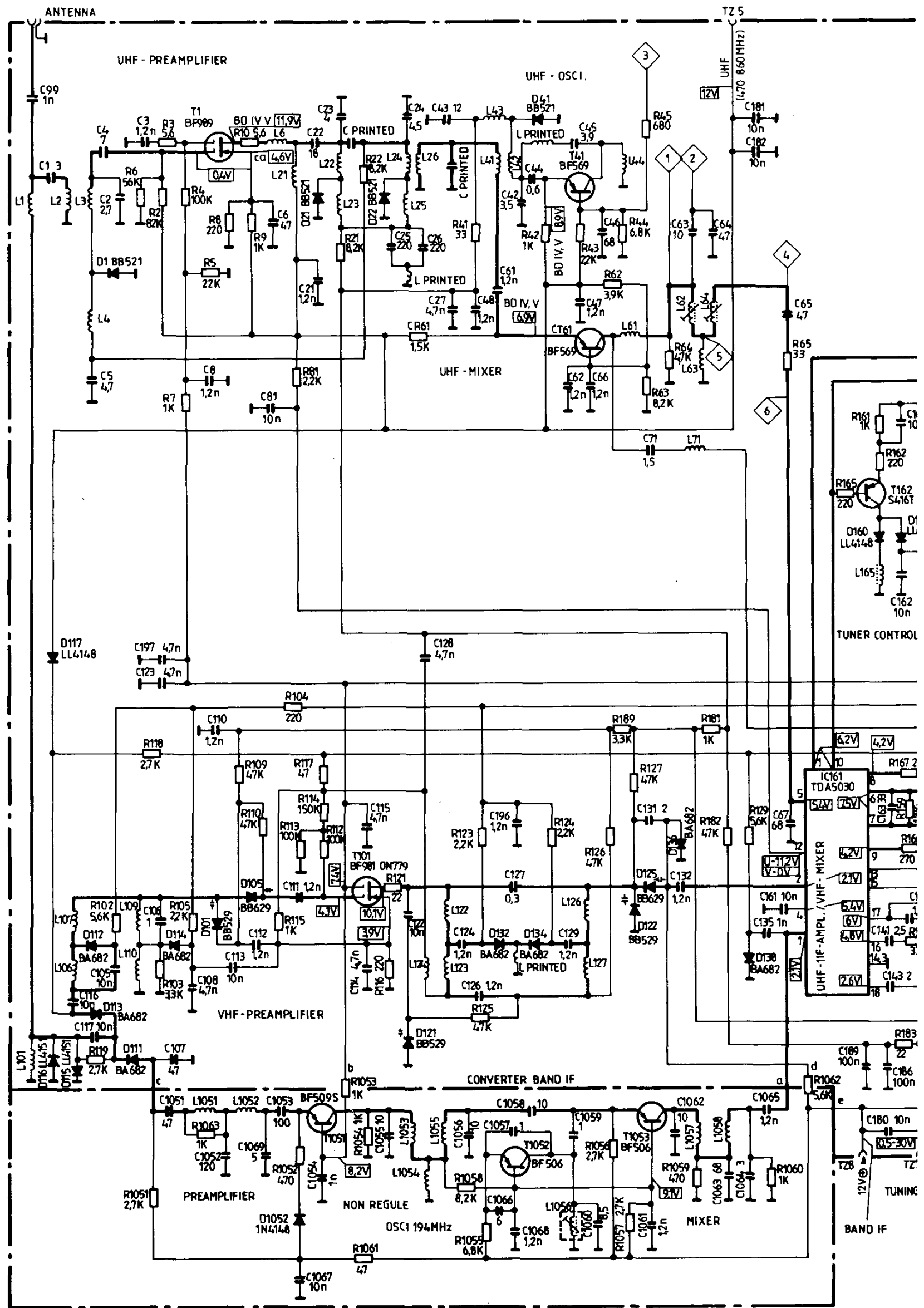
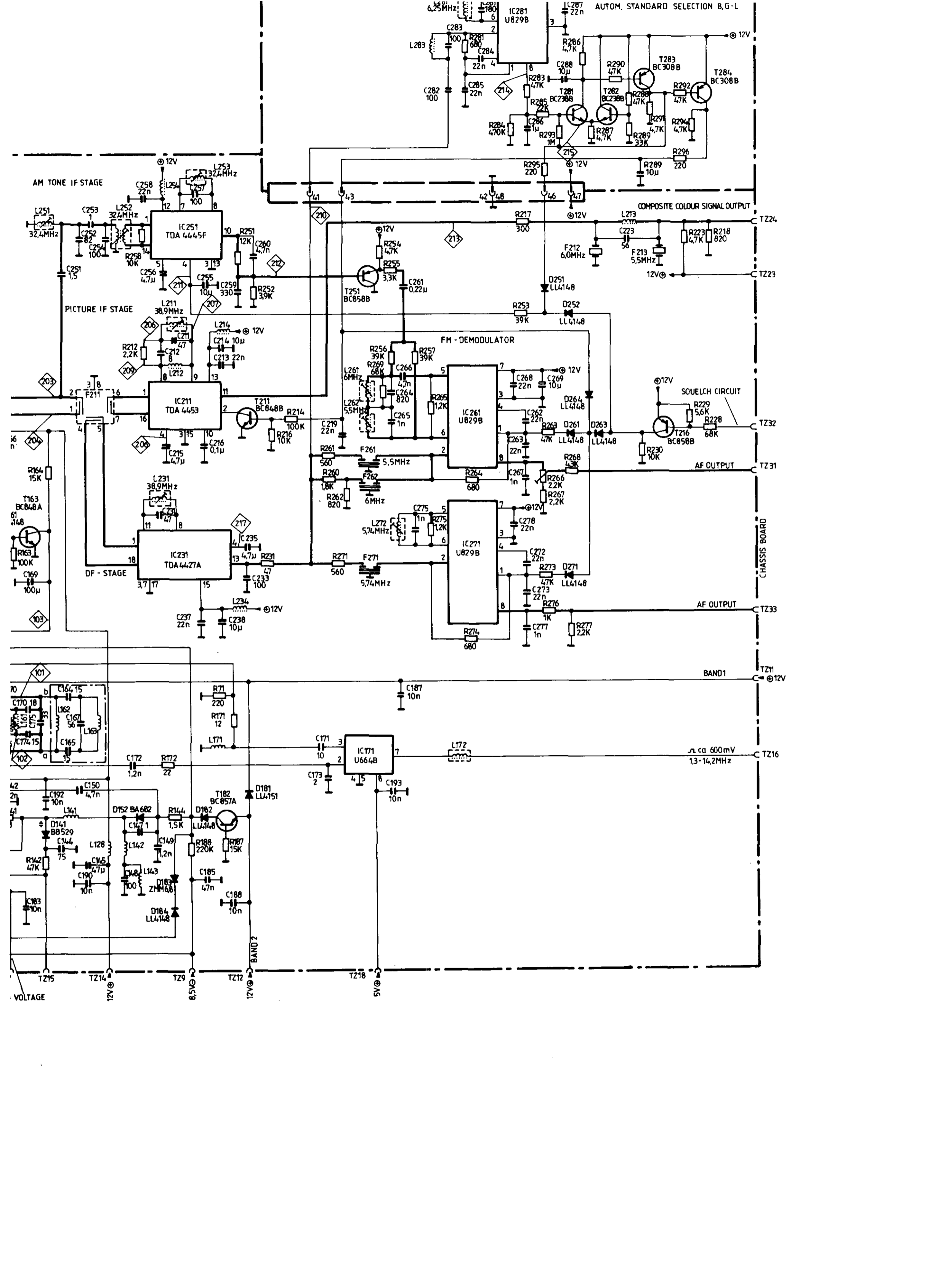


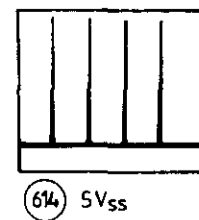
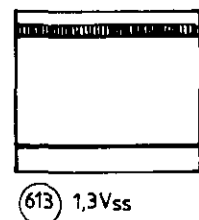
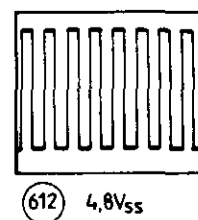
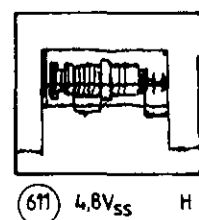
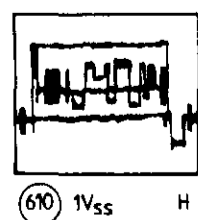
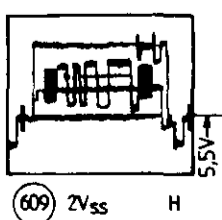
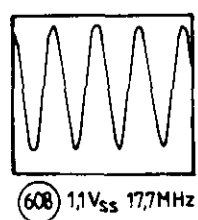
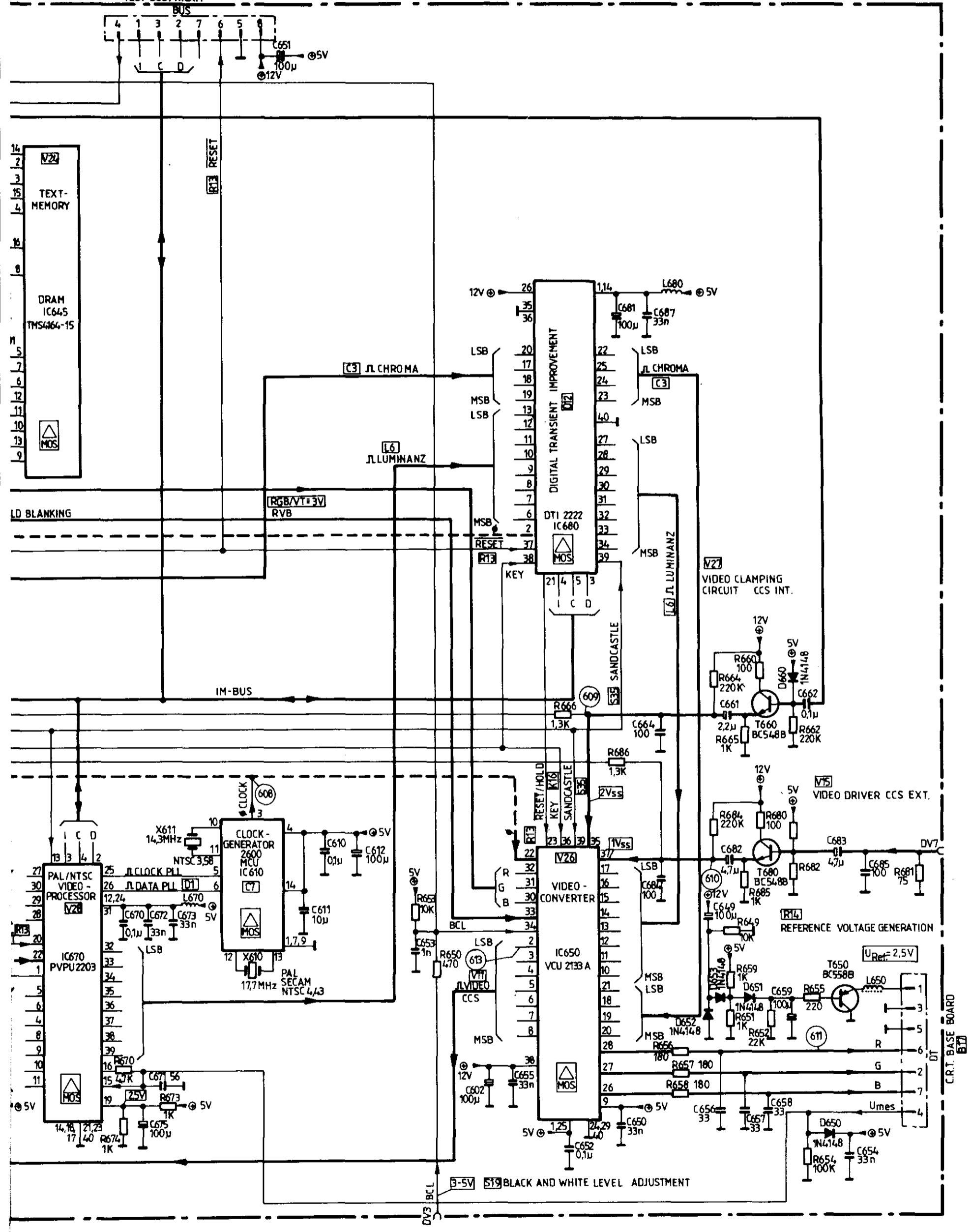
RF-IF module QPT/PT/BDI/FS/VS



AKAI
CT2570M
CT2870M

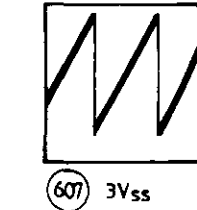
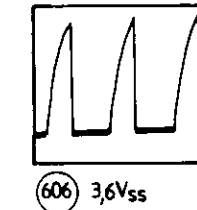
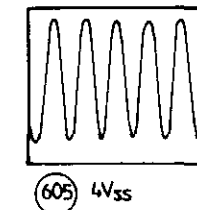
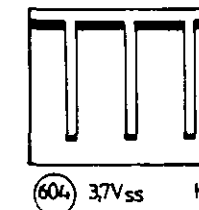
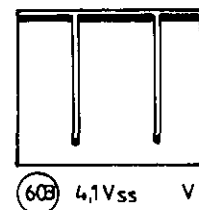
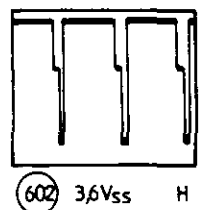
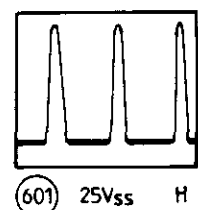
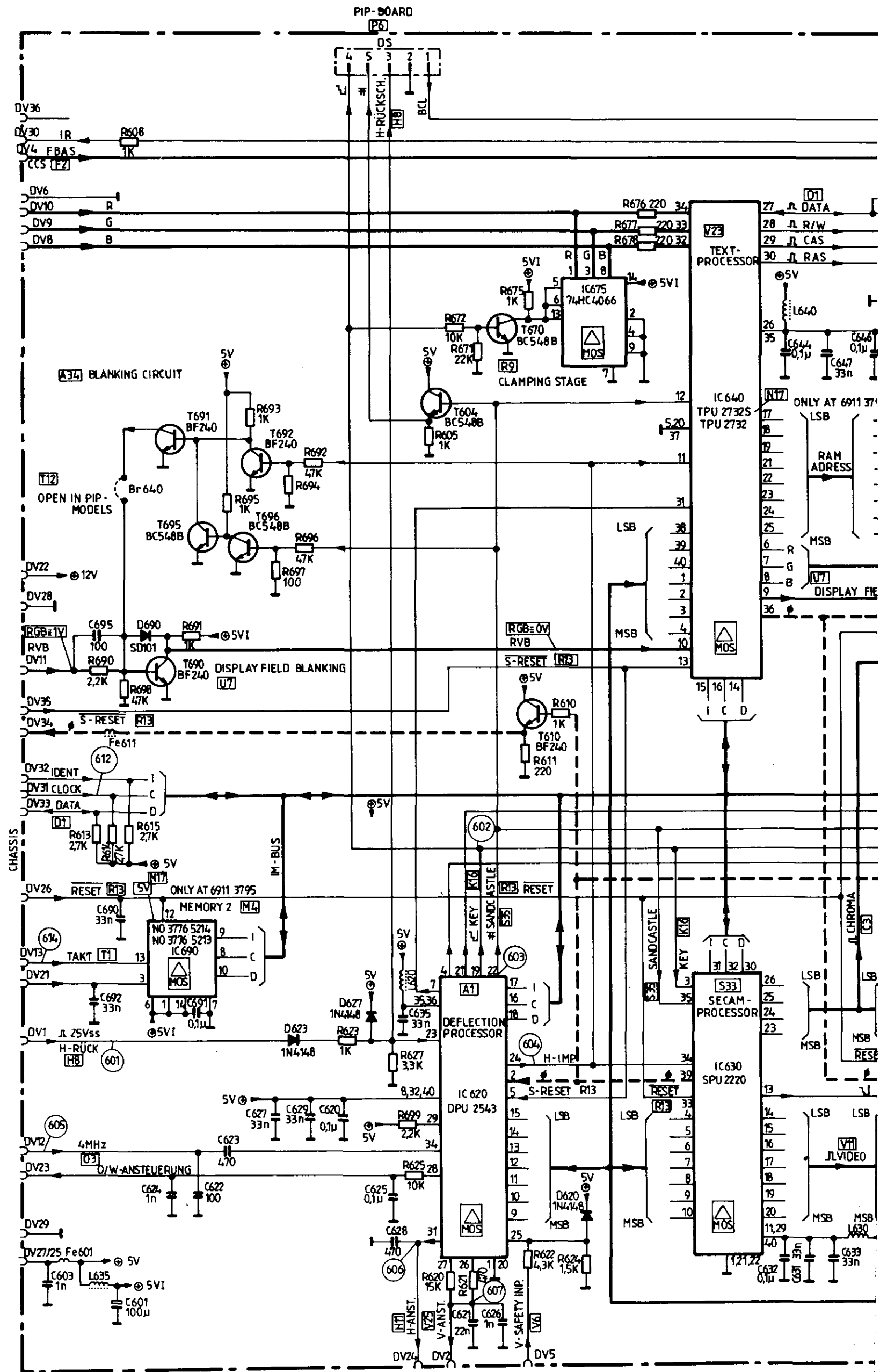


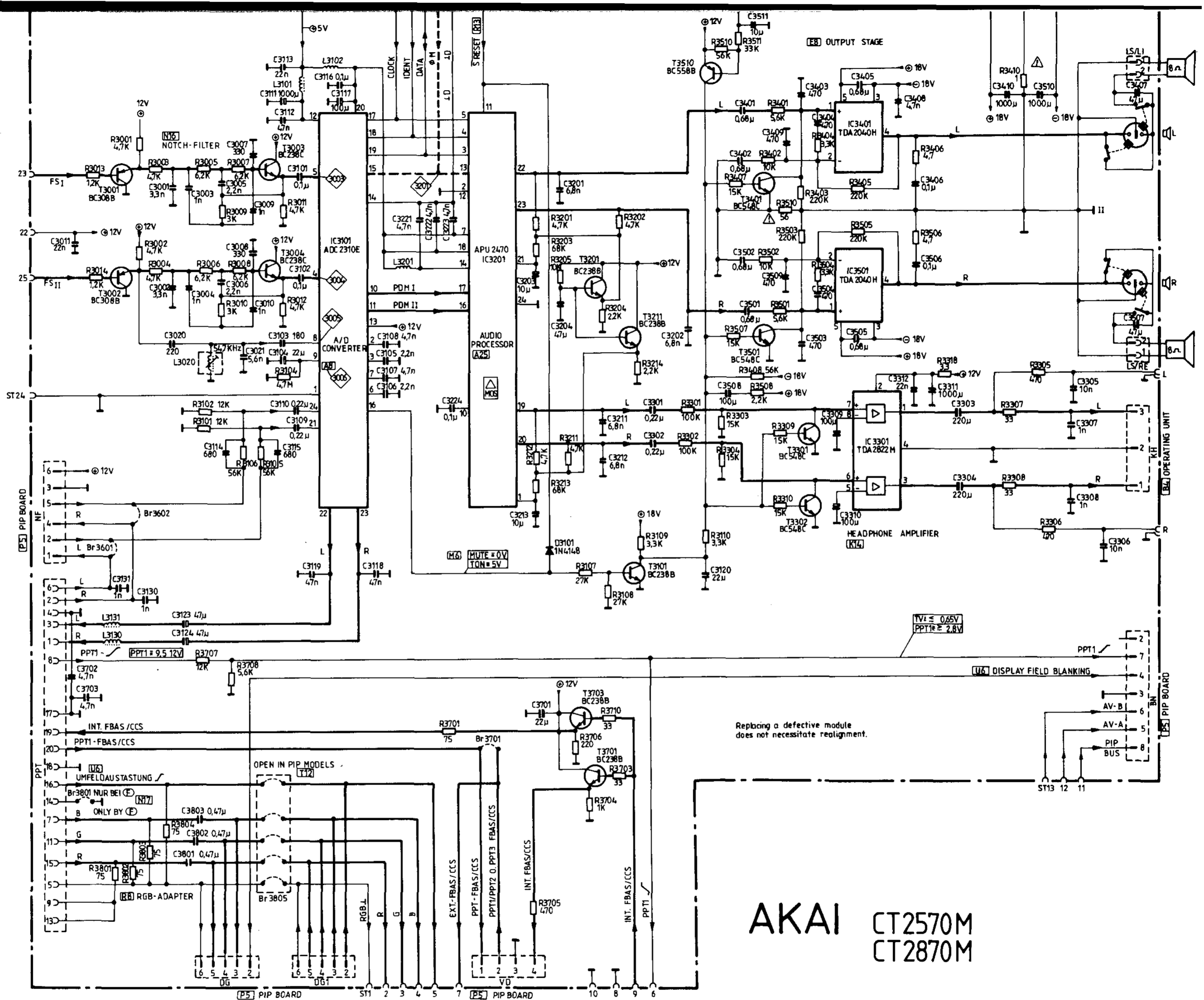
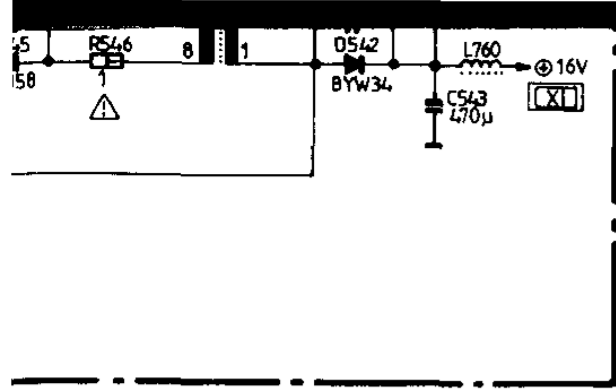
TEST BUS/NICAM
BUS



C.R.T. BASE BOARD
BT7

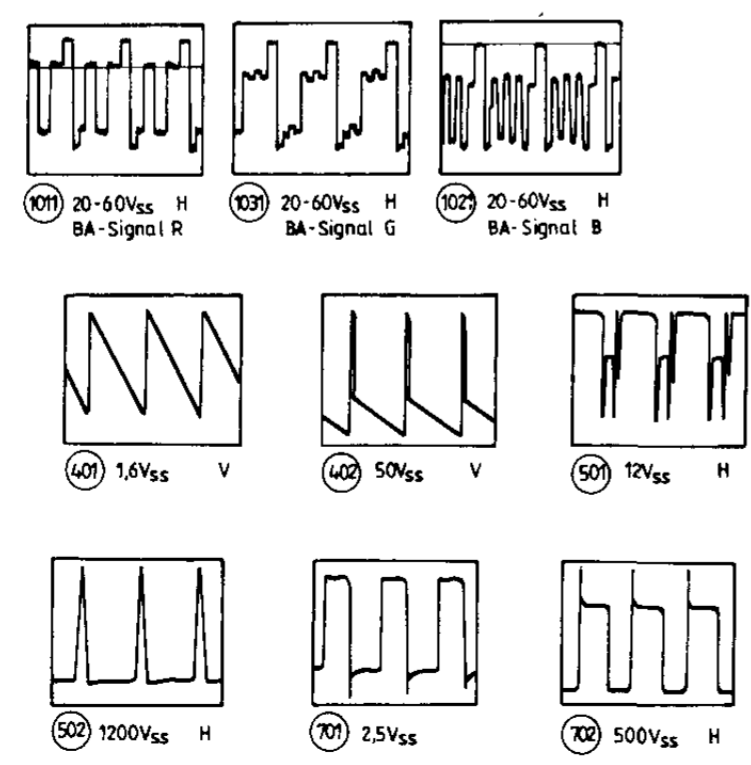
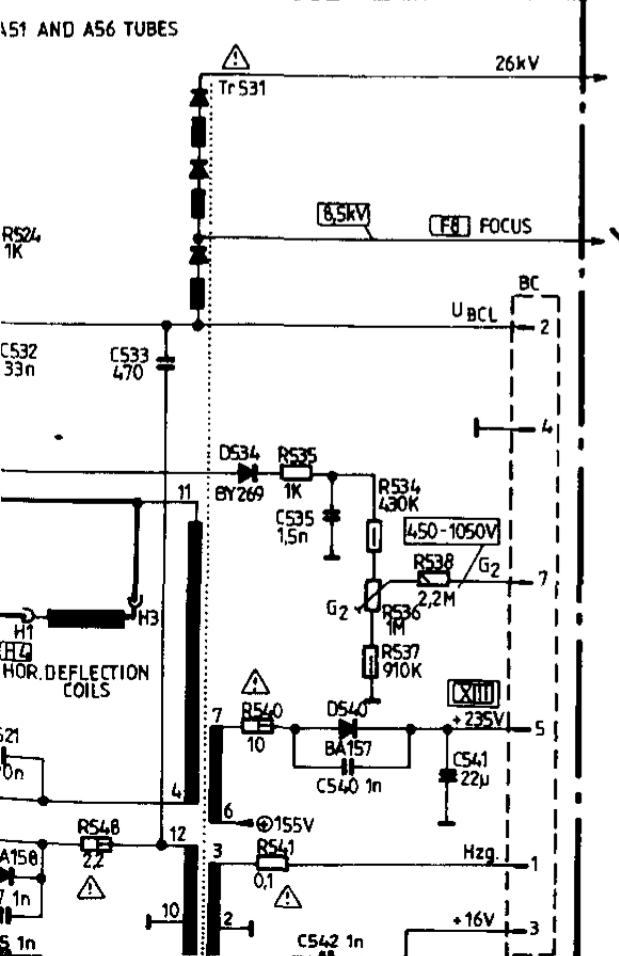
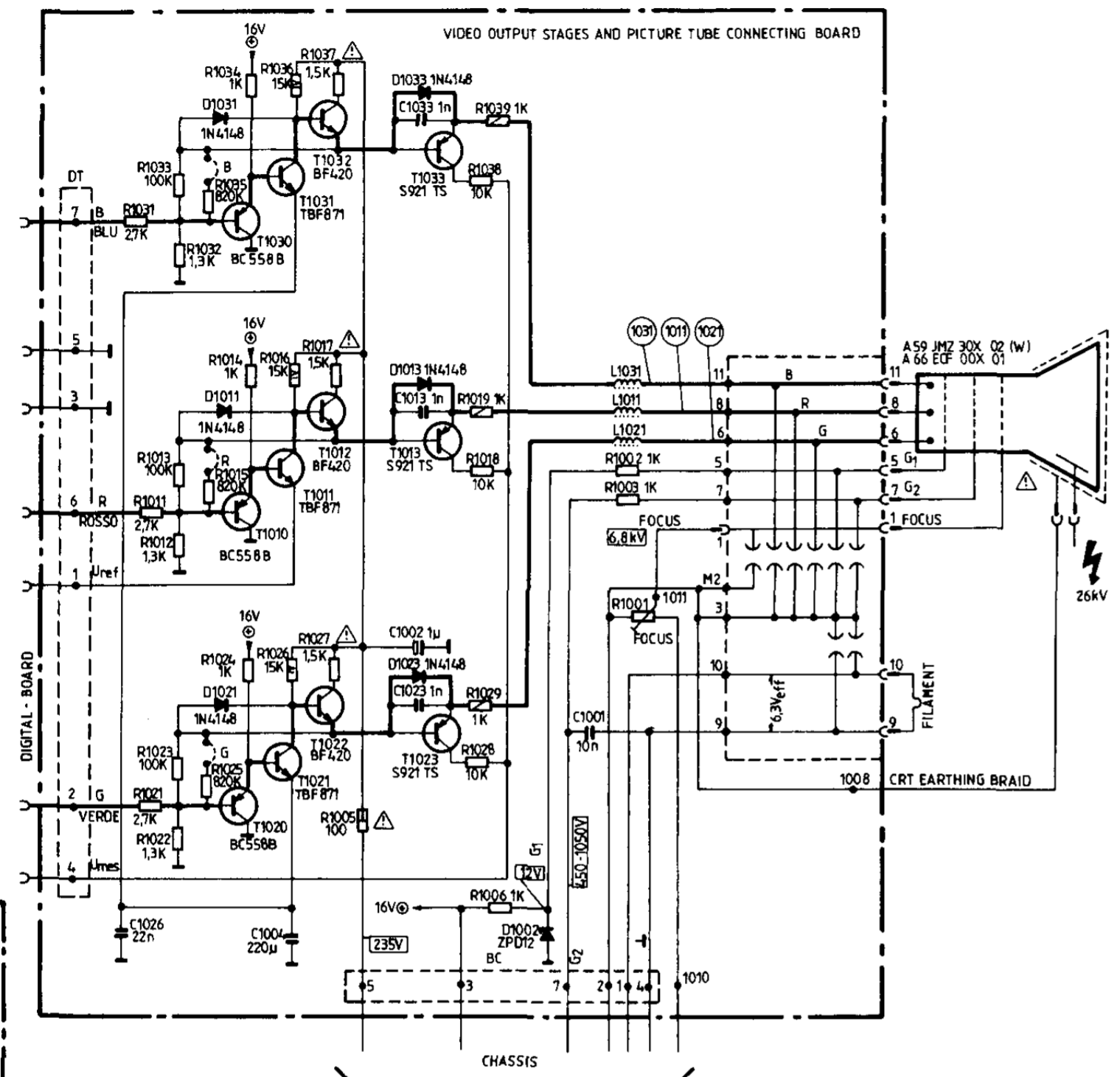
Digital board B/2, Multistandard





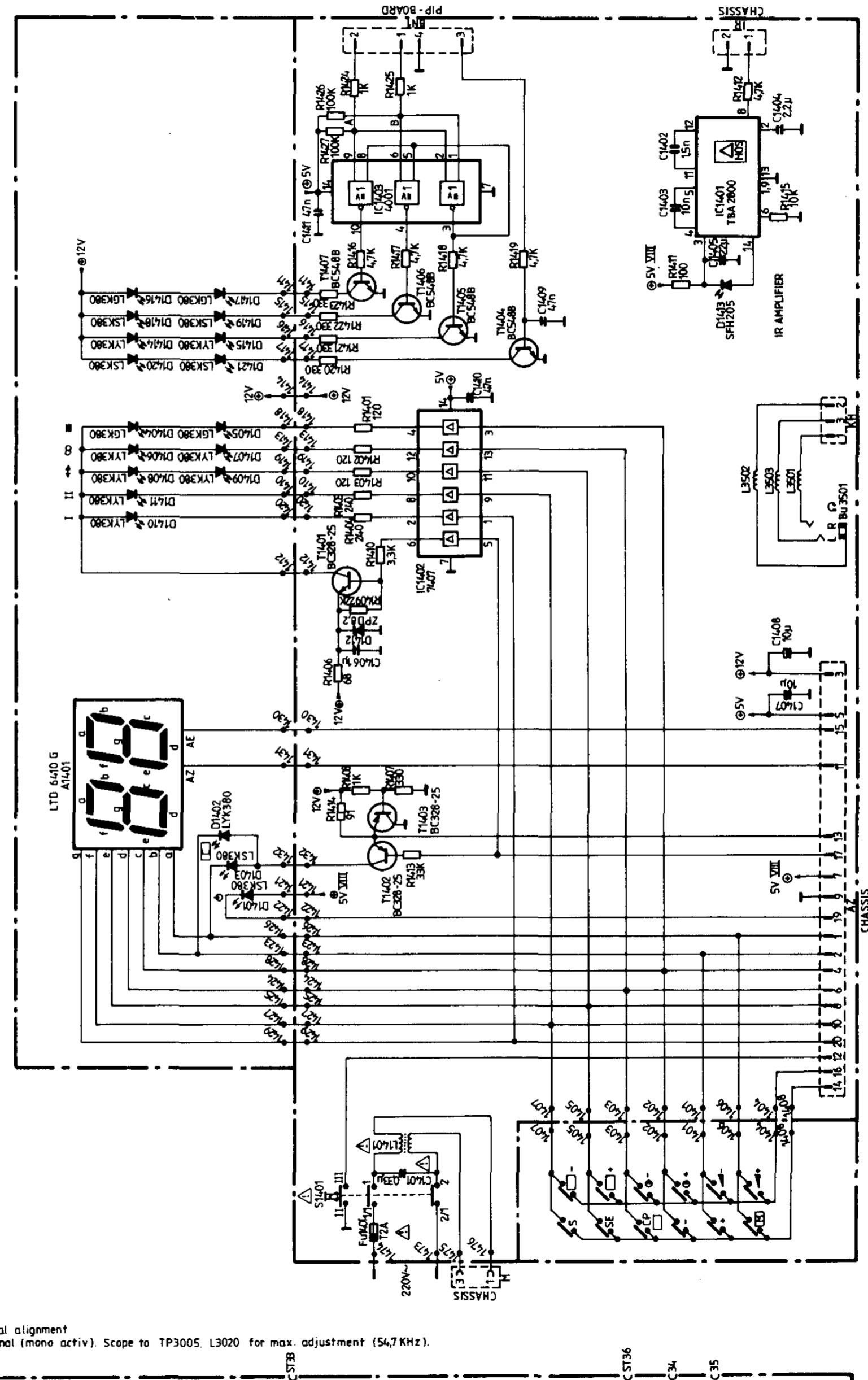
AKAI CT2570M
CT2870M

ard



Stereo - module B
ST-CHASSIS
ST26 ST27 28 29 31 30 32

Indicator board

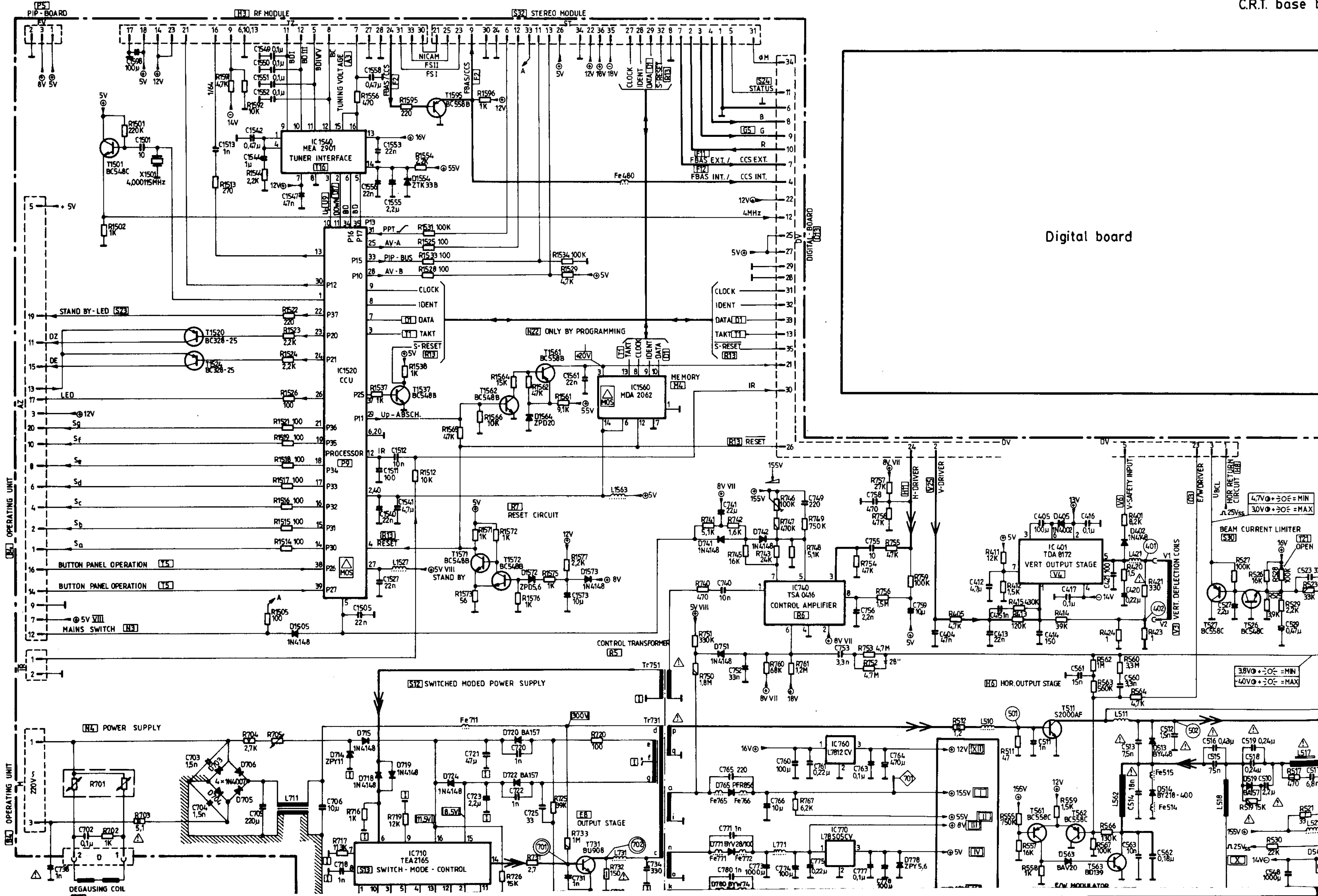


Pilot signal alignment
Stereo signal (mono activ). Scope to TP3005. L3020 for max. adjustment (54.7 KHz).

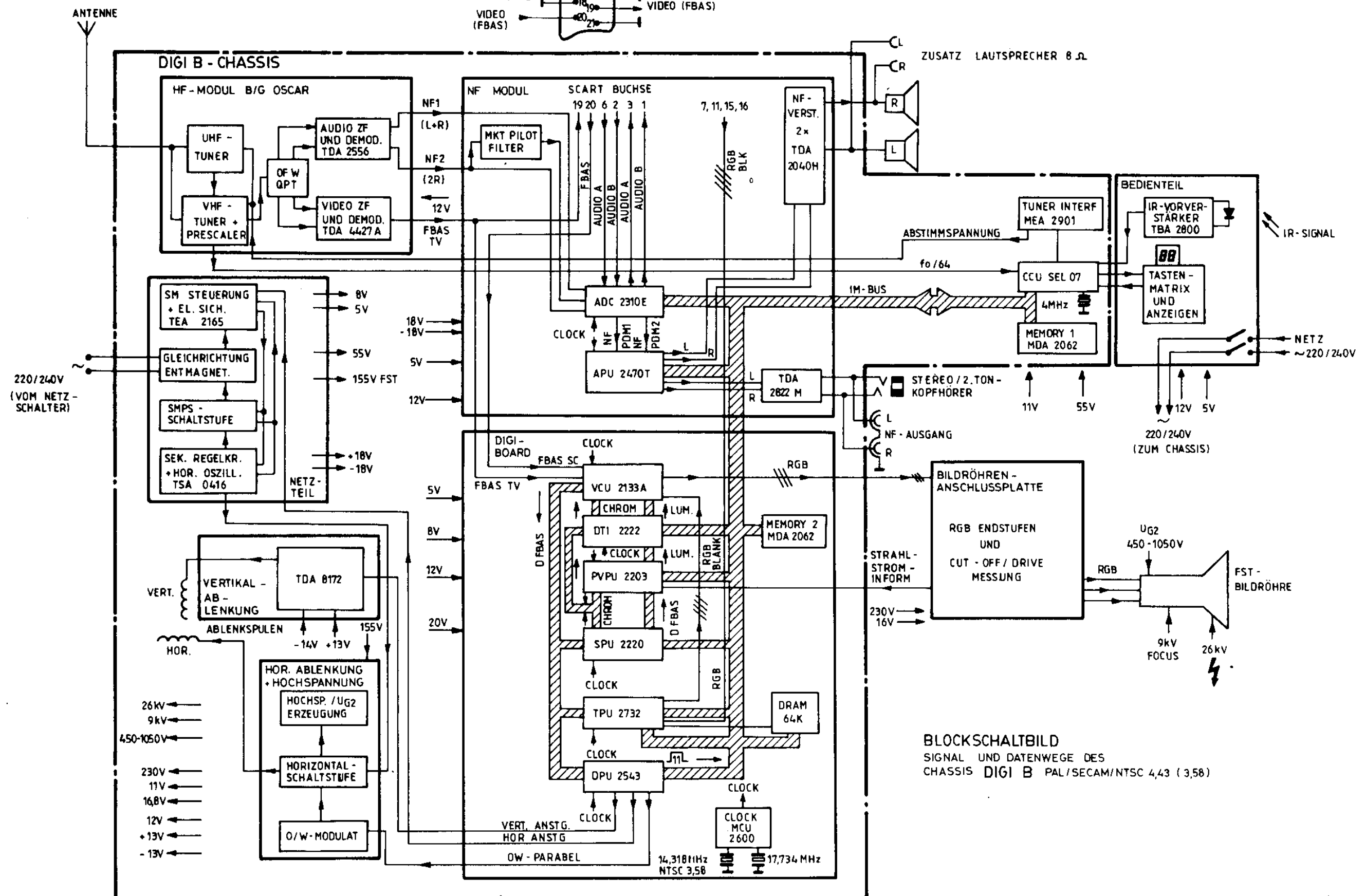
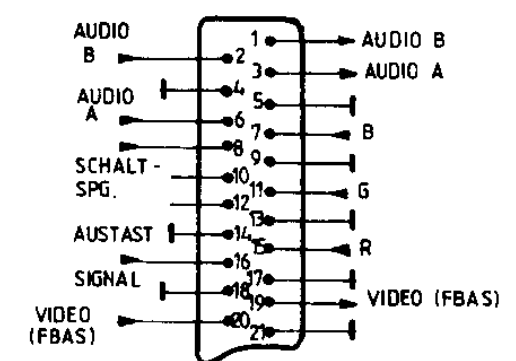
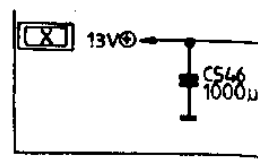
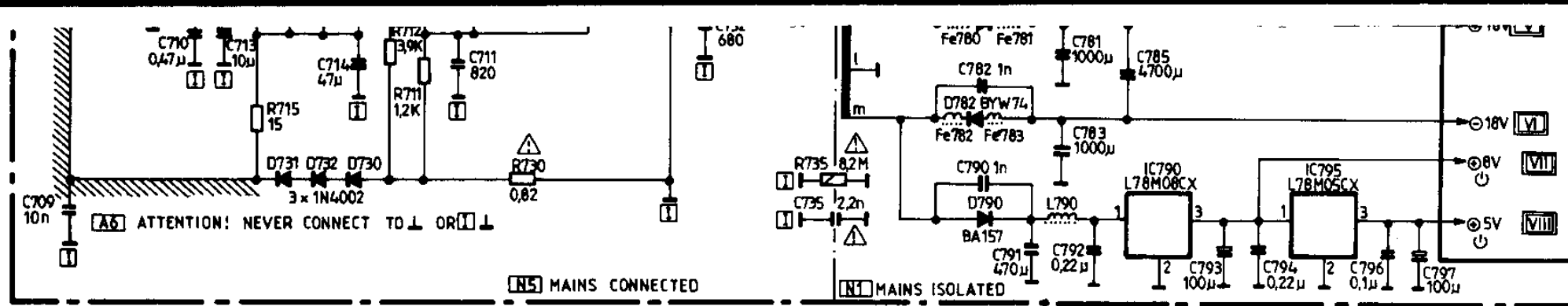
CHASSIS
C-ST36 C-34 C-35

Digital - Chassis B 110° FST

C.R.T. base



Please note:
When exchanging T731, IC710 must likewise
be exchanged.



BLOCKSCHALTBIID
SIGNAL UND DATENWEGE DES
CHASSIS DIGI B PAL/SECAM/NTSC 4,43 (3,58)