

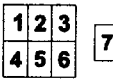
LOCATION COMMANDS FOR IC601

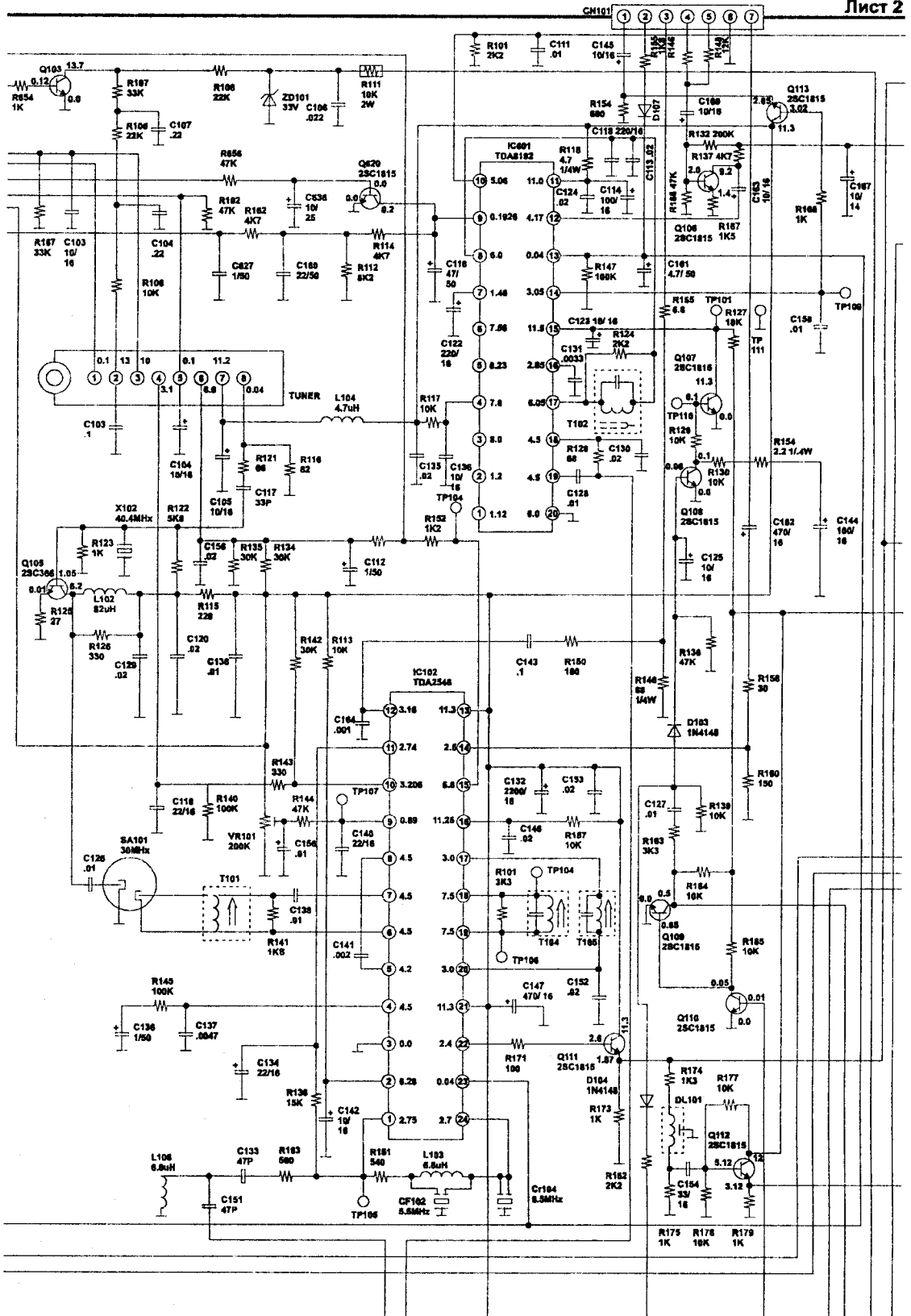
- S801 PROGRAM UP
- S802 PROGRAM DOWN
- S803 VOL UP
- S804 VOL DOWN
- S805 PICTURE
- S806 PICTURE UP
- S807 PICTURE DOWN
- S808 BAND
- S809 SAC UP
- S810 SAC DOWN
- S811 TV/AV
- S812 AUTO

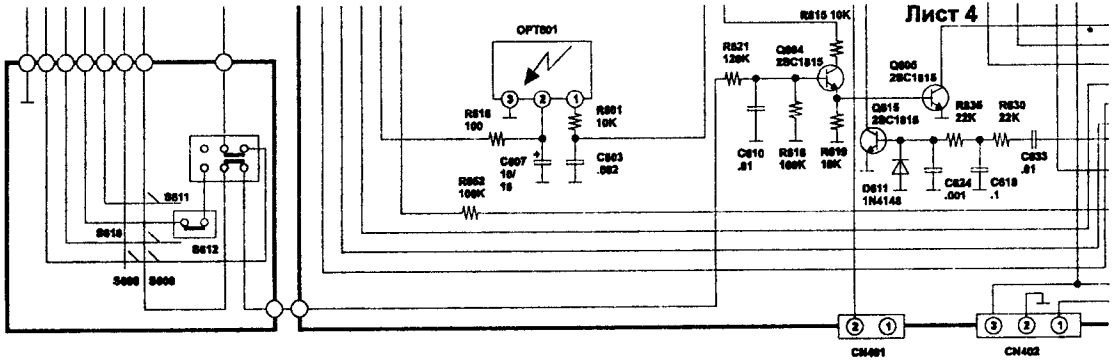
IC602 TC59101P

IC601 TMP47C434N

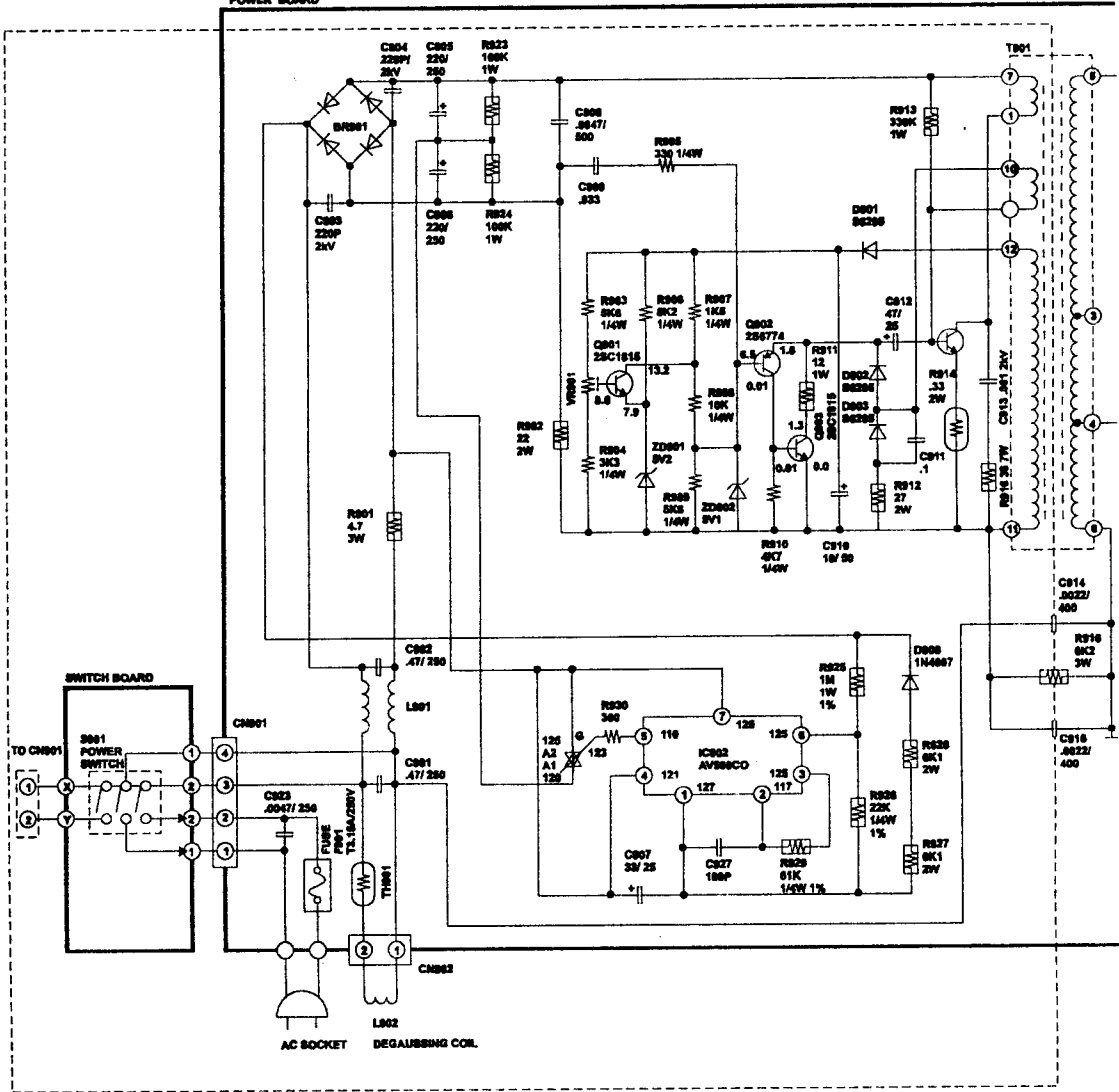
Размещение листов схемы:



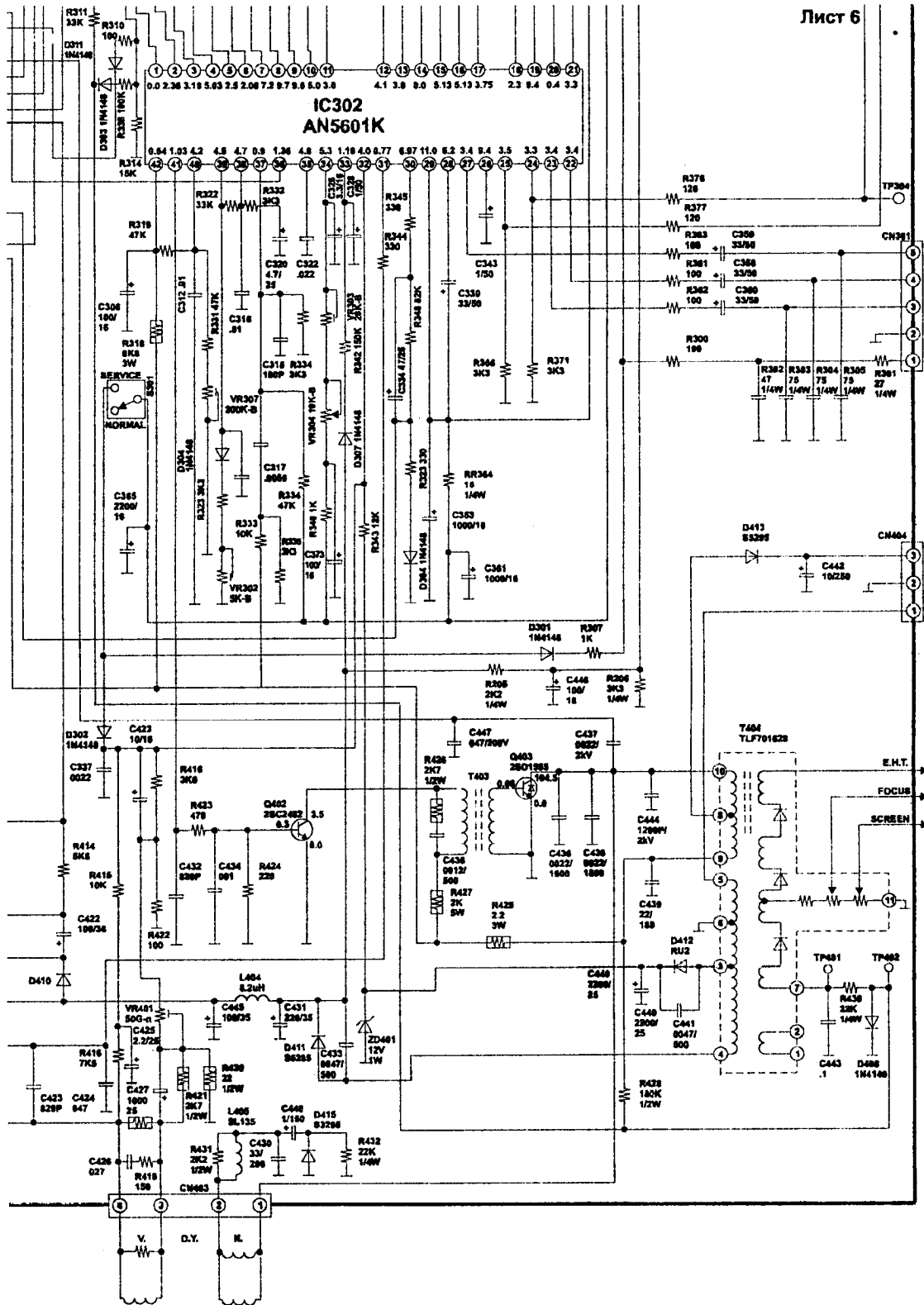




POWER BOARD



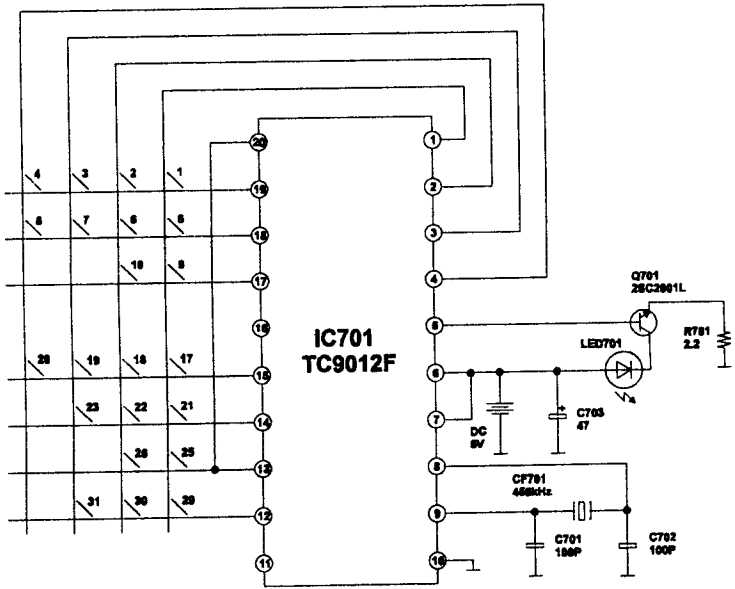
IC302
AN5601K



HANDSET BOARD

LOCATION COMMANDS

- 1.1
- 2.2
- 3.3
- 4.4
- 5.5
- 6.6
- 7.7
- 8.8
- 9.9
- 10.0
- 11.-
- 12.-
- 13.-
- 14.-
- 15.-
- 16.-
- 17. CHANNEL UP
- 18. CHANNEL DOWN
- 19. VOLUME UP
- 20. VOLUME DOWN
- 21. STAND BY
- 22. MUTE
- 23. TVIAY
- 24.-
- 25. SLEEP
- 26. RECALL
- 27.-
- 28.-
- 29. (+)
- 30. (-)
- 31. PIC TUBE



CRT BOARD

