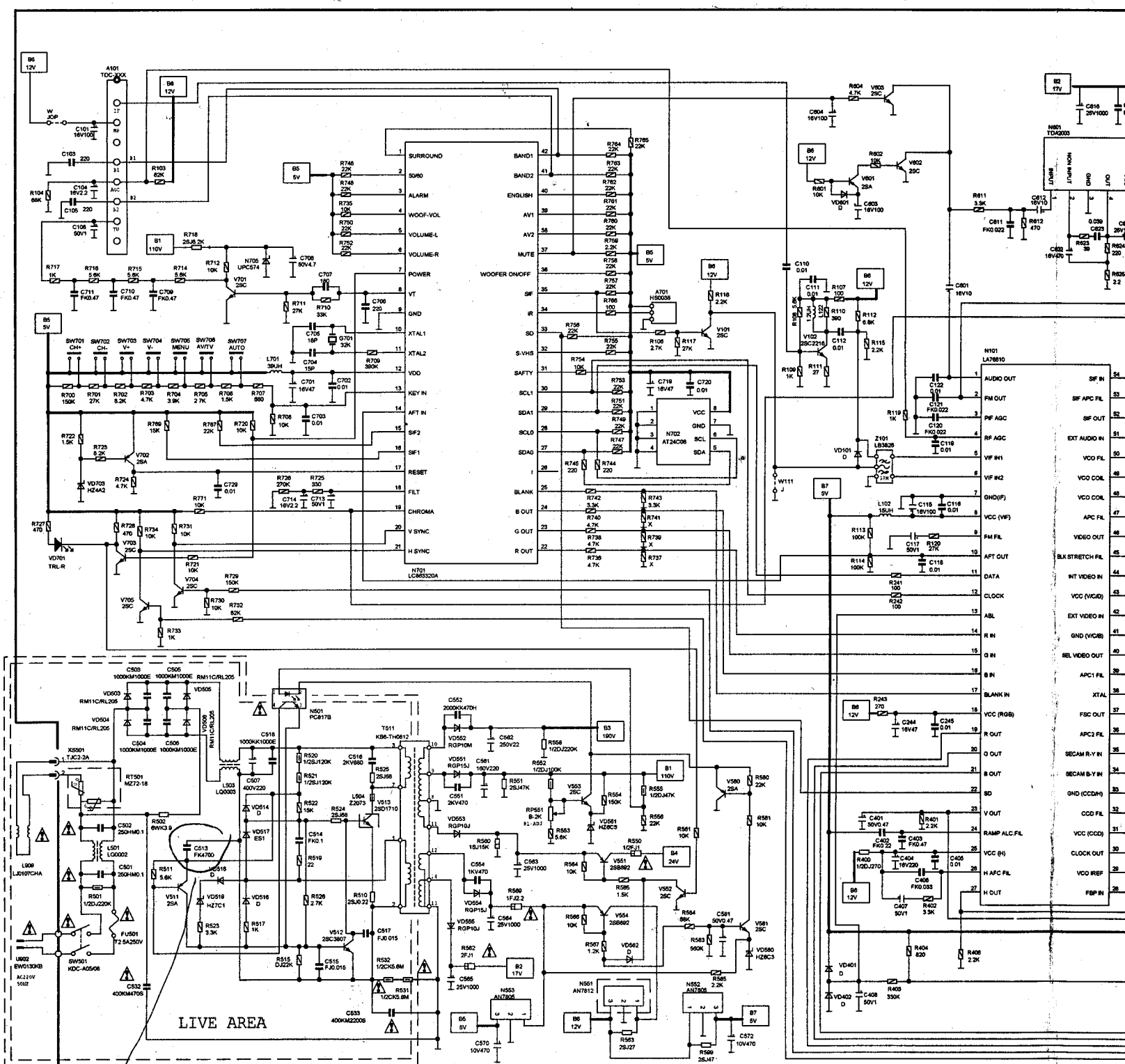
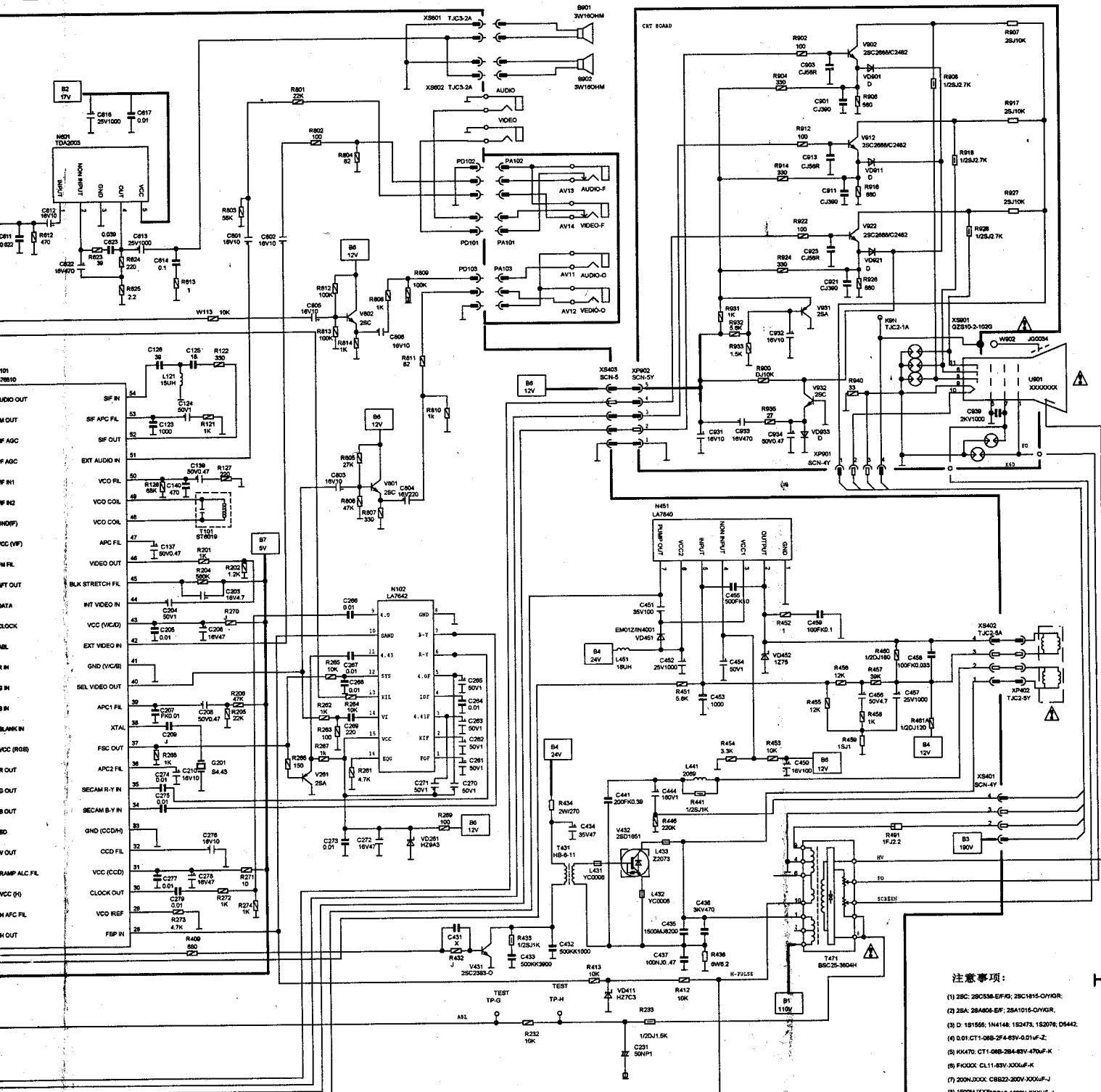


14" 21"彩色电视机电路原理图



been missed after BTR;
 resistor R6 0.015

电路电原理图 PAL/NTSC(SECAM)-D/K // B/G/M



HL13-M