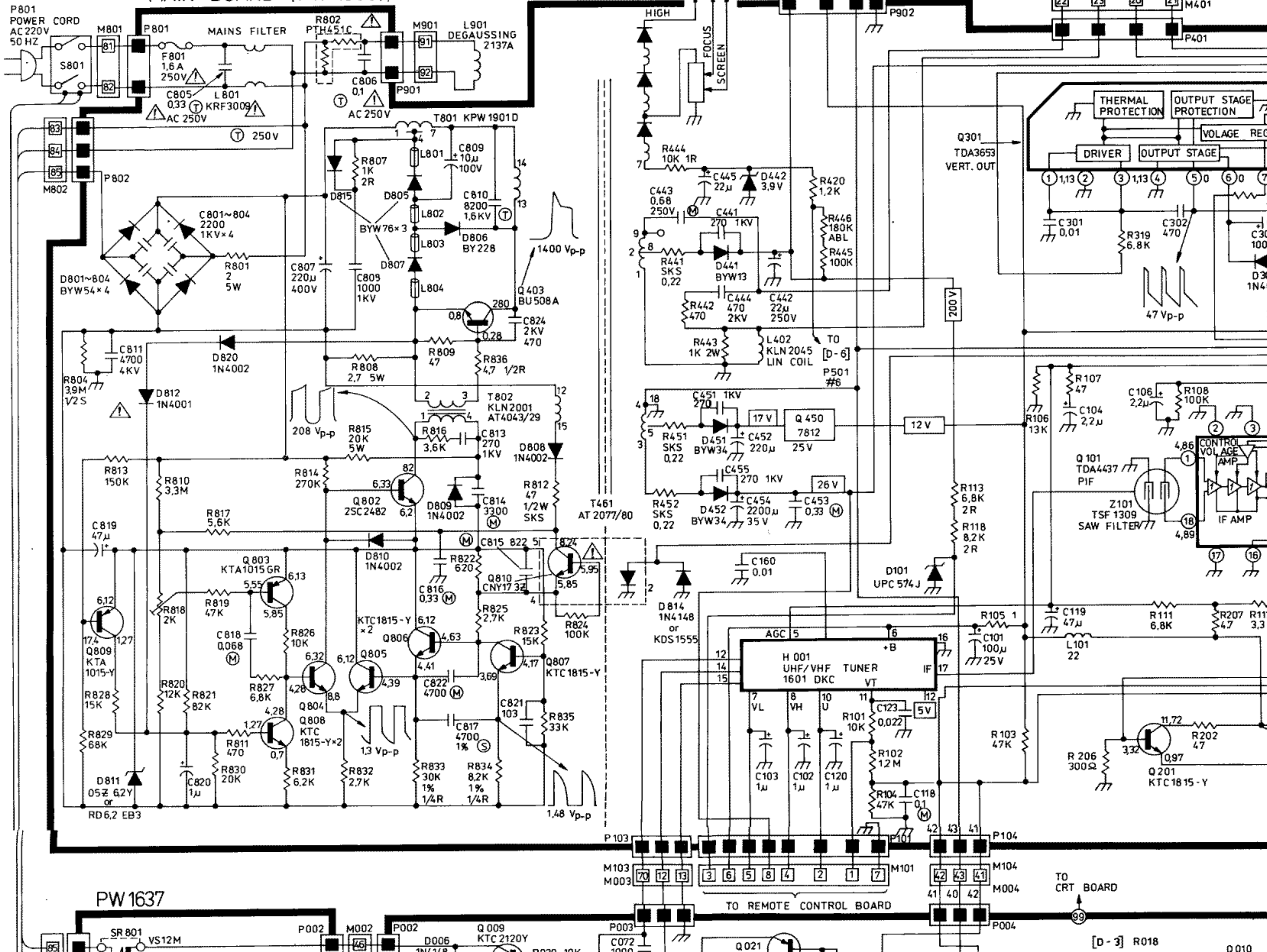


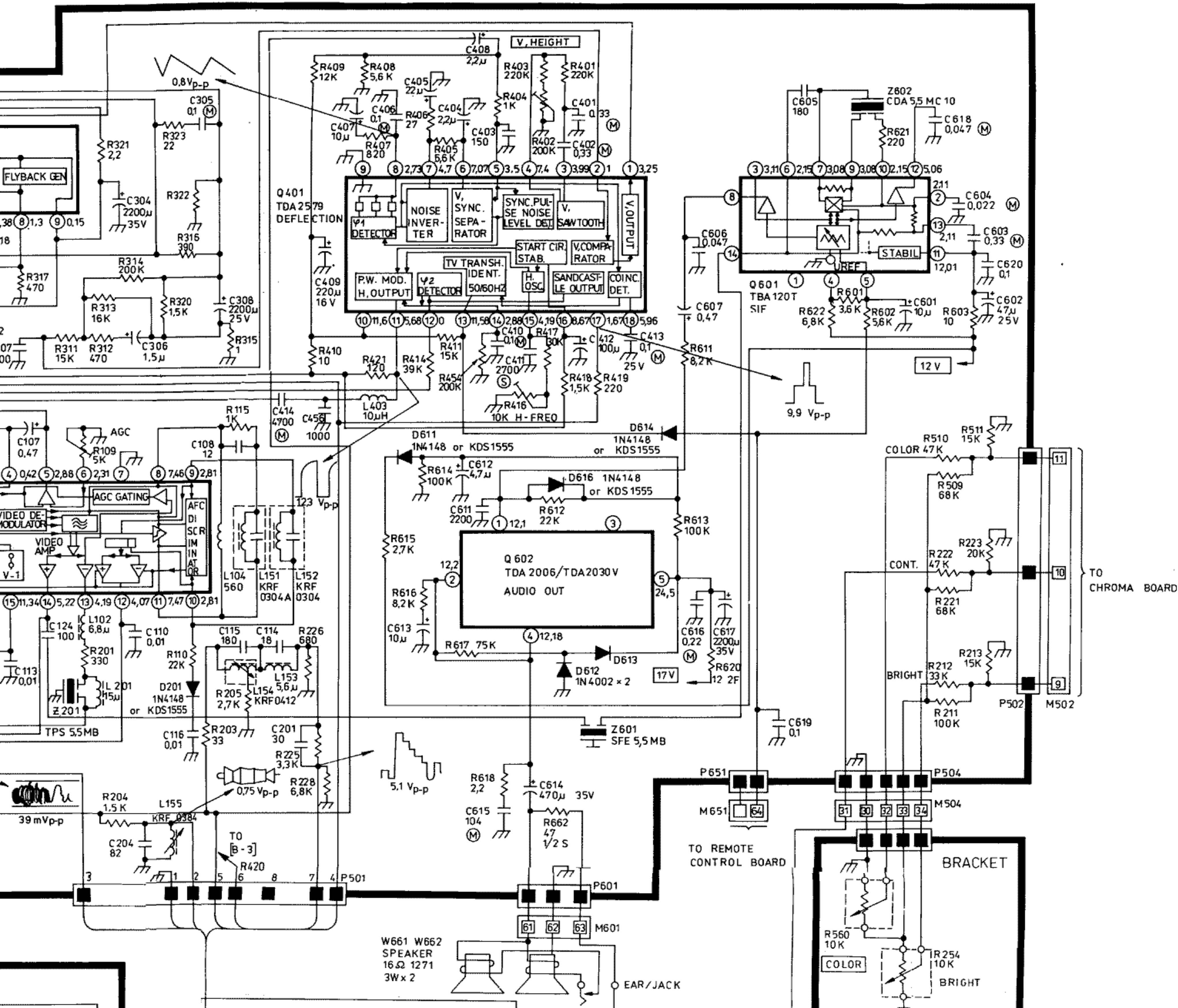
MAIN BOARD (PW-1608)

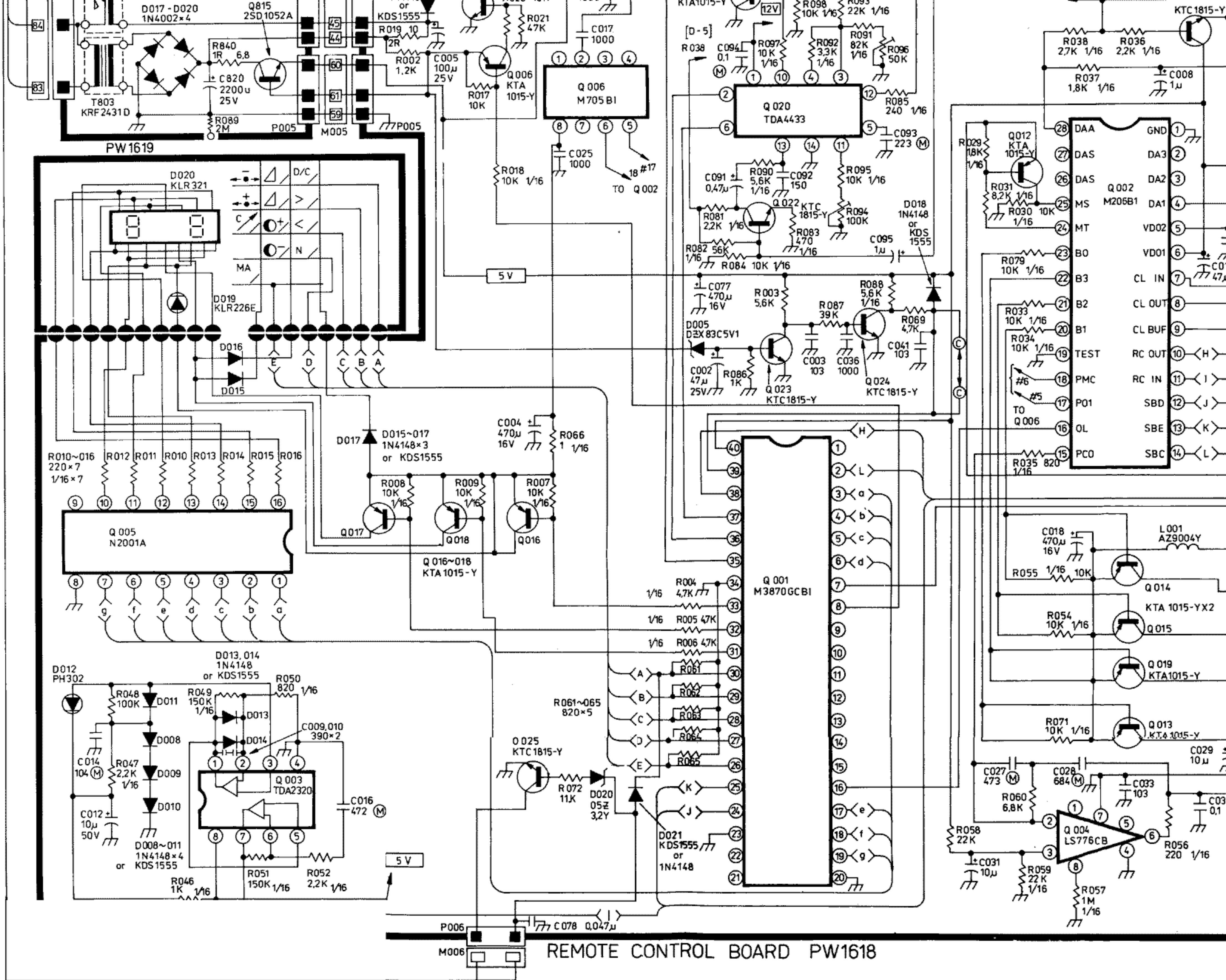


PW 1637

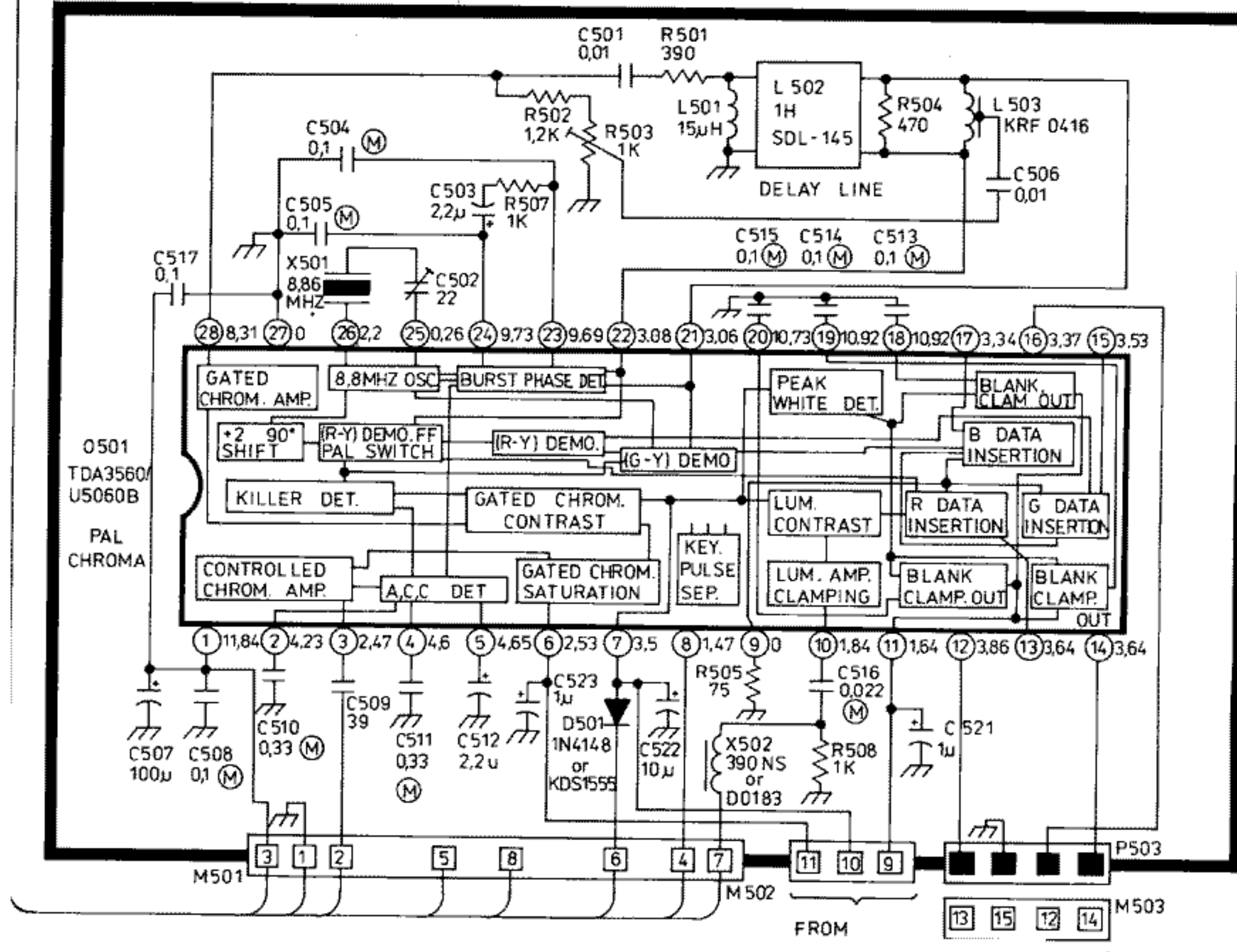
[D-3] R018

Q010



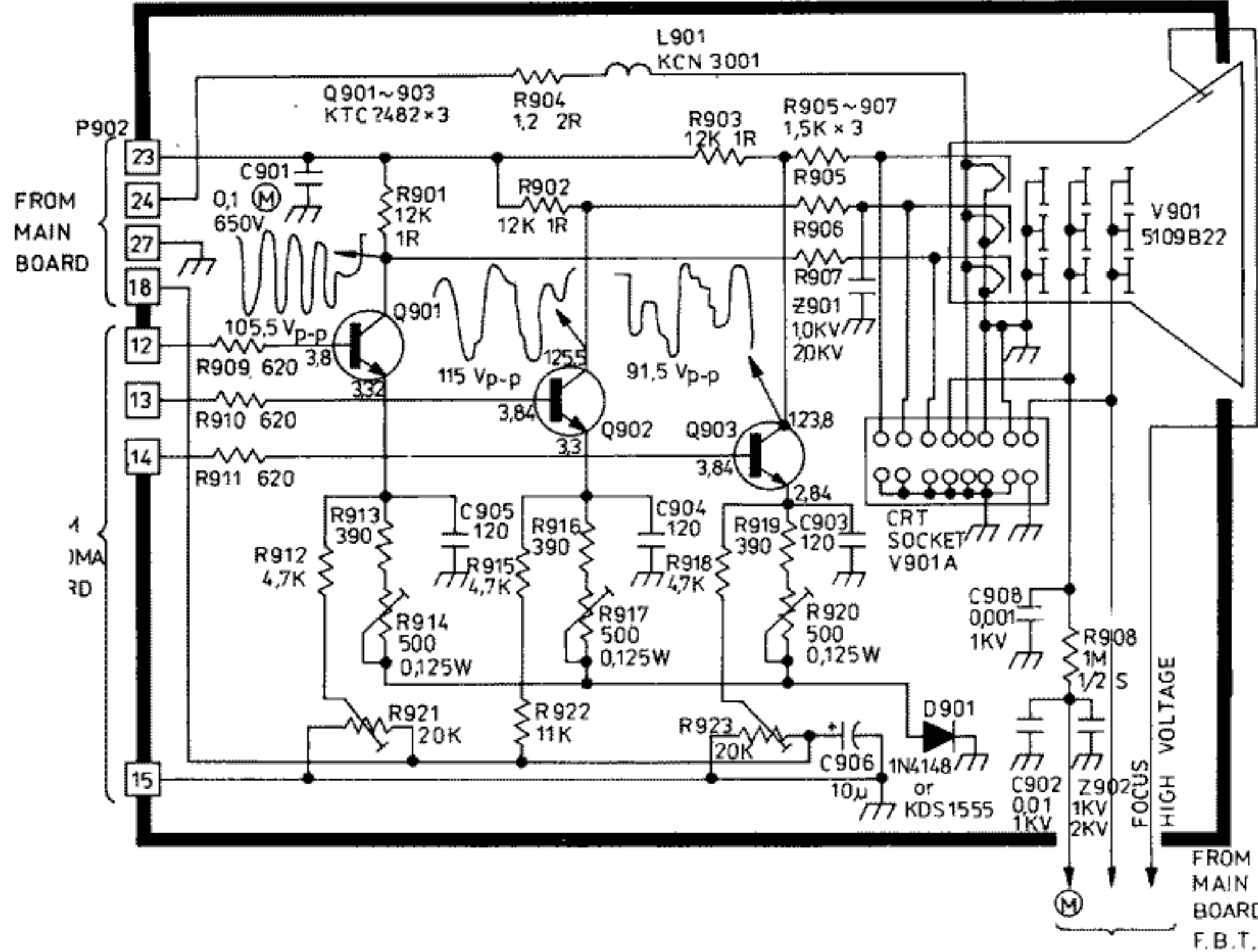


CHROMA BOARD PW 1609

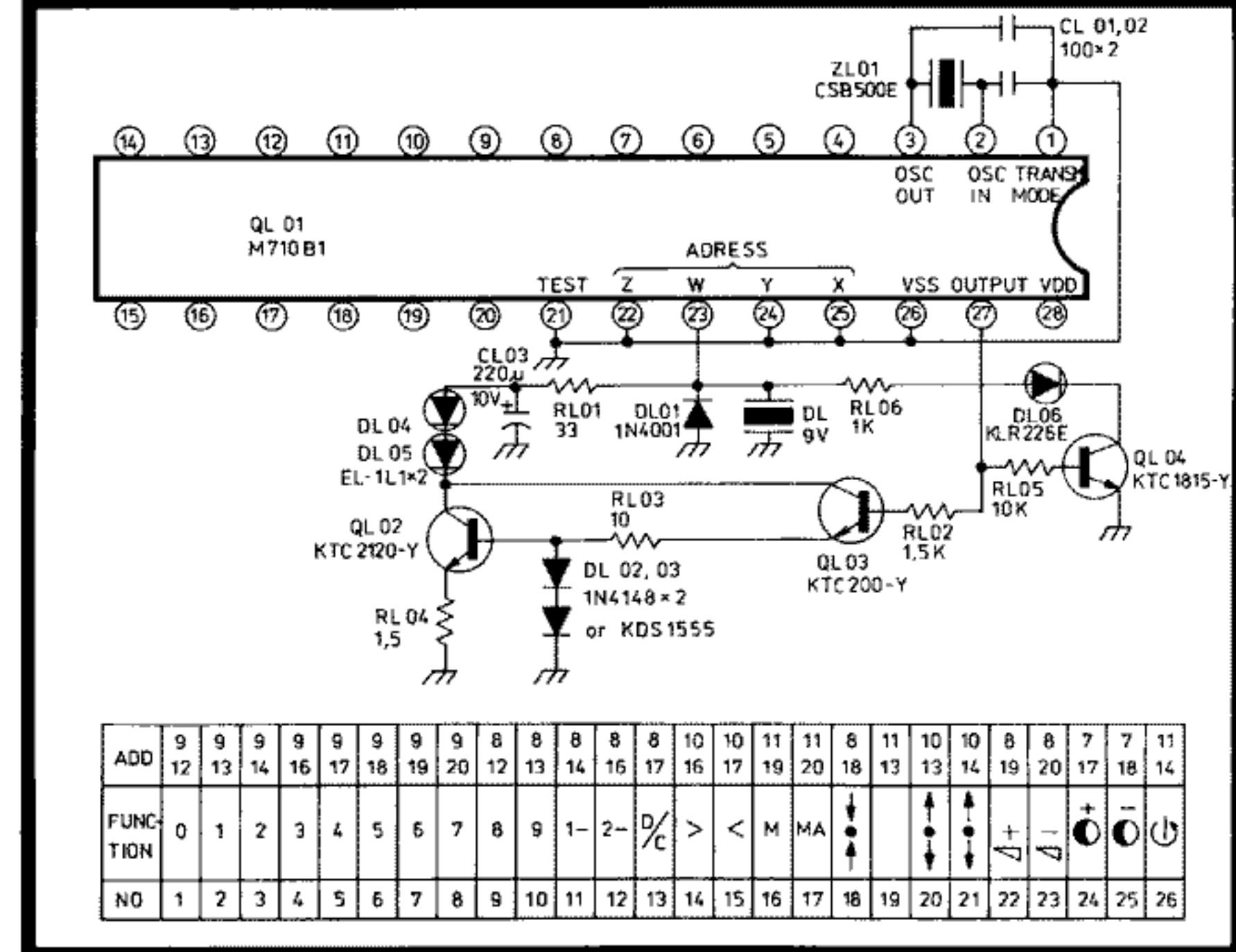


CLATRONIC CTV 150/148

CRT SOCKET BOARD PW 1617



TRANSMITTER BOARD PW 1620



ADD	9	9	9	9	9	9	9	9	8	8	8	8	8	8	10	10	11	11	8	11	10	10	8	8	7	7	11
FUNCTION	0	1	2	3	4	5	6	7	8	9	1-2	D/C	>	<	M	MA	↑	↓	↑	↓	↑	↓	+	-	⏻	⏻	
NO	1	2	3	4	5	6	7	8	9	10	11	12	13	14	15	16	17	18	19	20	21	22	23	24	25	26	