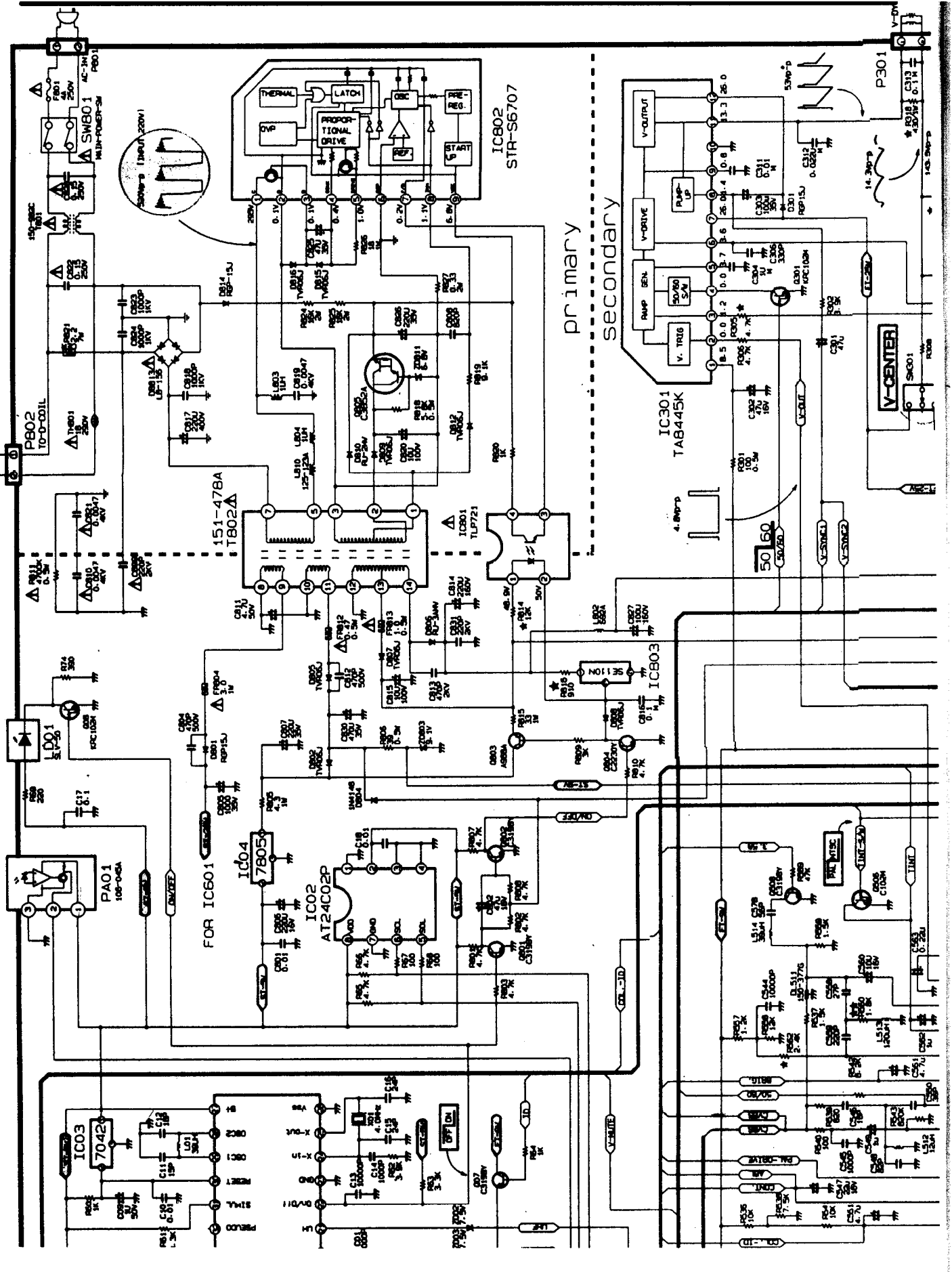


OPTION

15 ohm SPEAKERS
8 ohm SPEAKERS (optional)
15 ohm SPEAKERS (optional)



150-0001
P801
R001 200V



P802
TO-D-COIL

R002 200V
R003 200V
R004 200V

C001 10V
C002 10V
C003 10V

C004 10V
C005 10V
C006 10V

C007 200V
C008 200V
C009 200V

C010 200V
C011 200V
C012 200V

C013 200V
C014 200V
C015 200V

C016 200V
C017 200V
C018 200V

C019 200V
C020 200V
C021 200V

C022 200V
C023 200V
C024 200V

C025 200V
C026 200V
C027 200V

C028 200V
C029 200V
C030 200V

C031 200V
C032 200V
C033 200V

C034 200V
C035 200V
C036 200V

C037 200V
C038 200V
C039 200V

C040 200V
C041 200V
C042 200V

C043 200V
C044 200V
C045 200V

C046 200V
C047 200V
C048 200V

C049 200V
C050 200V
C051 200V

C052 200V
C053 200V
C054 200V

C055 200V
C056 200V
C057 200V

C058 200V
C059 200V
C060 200V

C061 200V
C062 200V
C063 200V

C064 200V
C065 200V
C066 200V

C067 200V
C068 200V
C069 200V

C070 200V
C071 200V
C072 200V

C073 200V
C074 200V
C075 200V

151-478A
T802

R010 200V
R011 200V
R012 200V

R013 200V
R014 200V
R015 200V

R016 200V
R017 200V
R018 200V

R019 200V
R020 200V
R021 200V

R022 200V
R023 200V
R024 200V

R025 200V
R026 200V
R027 200V

R028 200V
R029 200V
R030 200V

R031 200V
R032 200V
R033 200V

R034 200V
R035 200V
R036 200V

R037 200V
R038 200V
R039 200V

R040 200V
R041 200V
R042 200V

R043 200V
R044 200V
R045 200V

R046 200V
R047 200V
R048 200V

R049 200V
R050 200V
R051 200V

R052 200V
R053 200V
R054 200V

R055 200V
R056 200V
R057 200V

R058 200V
R059 200V
R060 200V

R061 200V
R062 200V
R063 200V

R064 200V
R065 200V
R066 200V

R067 200V
R068 200V
R069 200V

R070 200V
R071 200V
R072 200V

R073 200V
R074 200V
R075 200V

R076 200V
R077 200V
R078 200V

R079 200V
R080 200V
R081 200V

R082 200V
R083 200V
R084 200V

R085 200V
R086 200V
R087 200V

R088 200V
R089 200V
R090 200V

R091 200V
R092 200V
R093 200V

IC301
TAB445K

IC302
STR-S6707

IC801
TLP721

IC802
STR-S6707

IC803
IC803

IC804
7805

IC805
AT24C02P

IC806
7042

IC807
IC807

IC808
IC808

IC809
IC809

IC810
IC810

IC811
IC811

IC812
IC812

IC813
IC813

IC814
IC814

IC815
IC815

IC816
IC816

IC817
IC817

IC818
IC818

IC819
IC819

IC820
IC820

IC821
IC821

IC822
IC822

IC823
IC823

IC824
IC824

IC825
IC825

IC826
IC826

primary
secondary

V-OUTPUT
RAMP UP

V-DRIVE
50/60 S/W

V-TRIG
4.7K

V-CENTER
5000

V-CENTER
5000

V-CENTER
5000

V-CENTER
5000

V-CENTER
5000

V-CENTER
5000

V-CENTER
5000

V-CENTER
5000

V-CENTER
5000

V-CENTER
5000

V-CENTER
5000

V-CENTER
5000

V-CENTER
5000

V-CENTER
5000

V-CENTER
5000

V-CENTER
5000

V-CENTER
5000

V-CENTER
5000

V-CENTER
5000

V-CENTER
5000

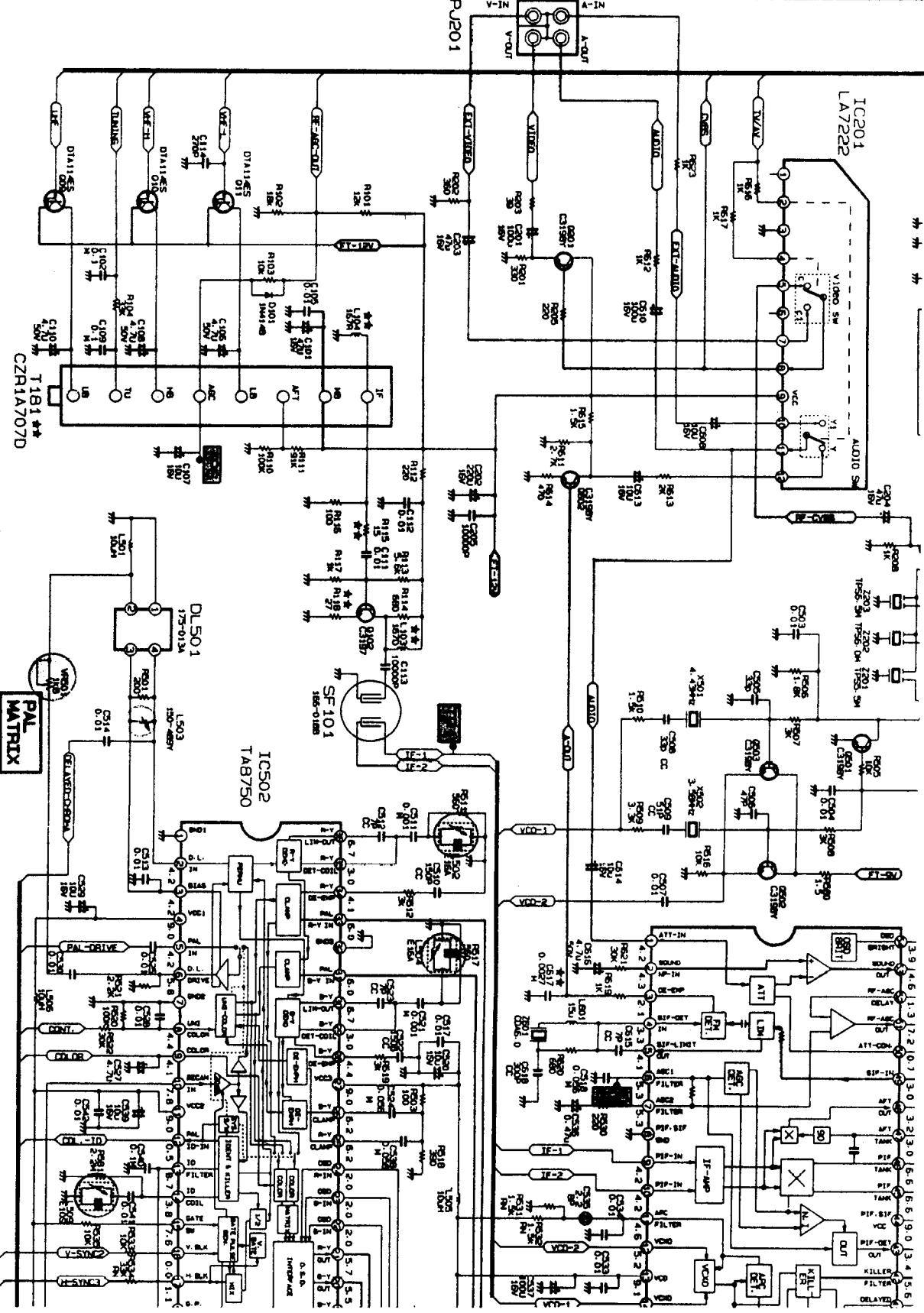
V-CENTER
5000

V-CENTER
5000

V-CENTER
5000

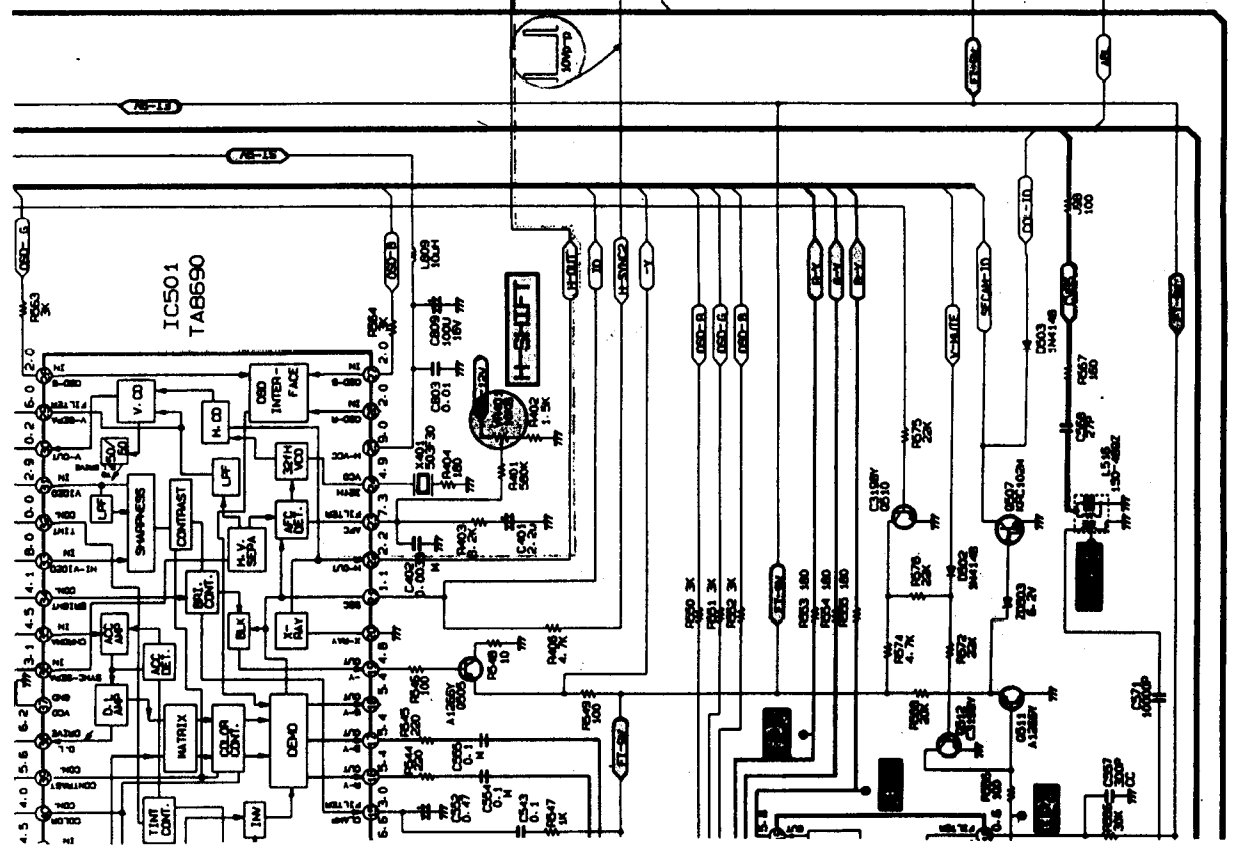
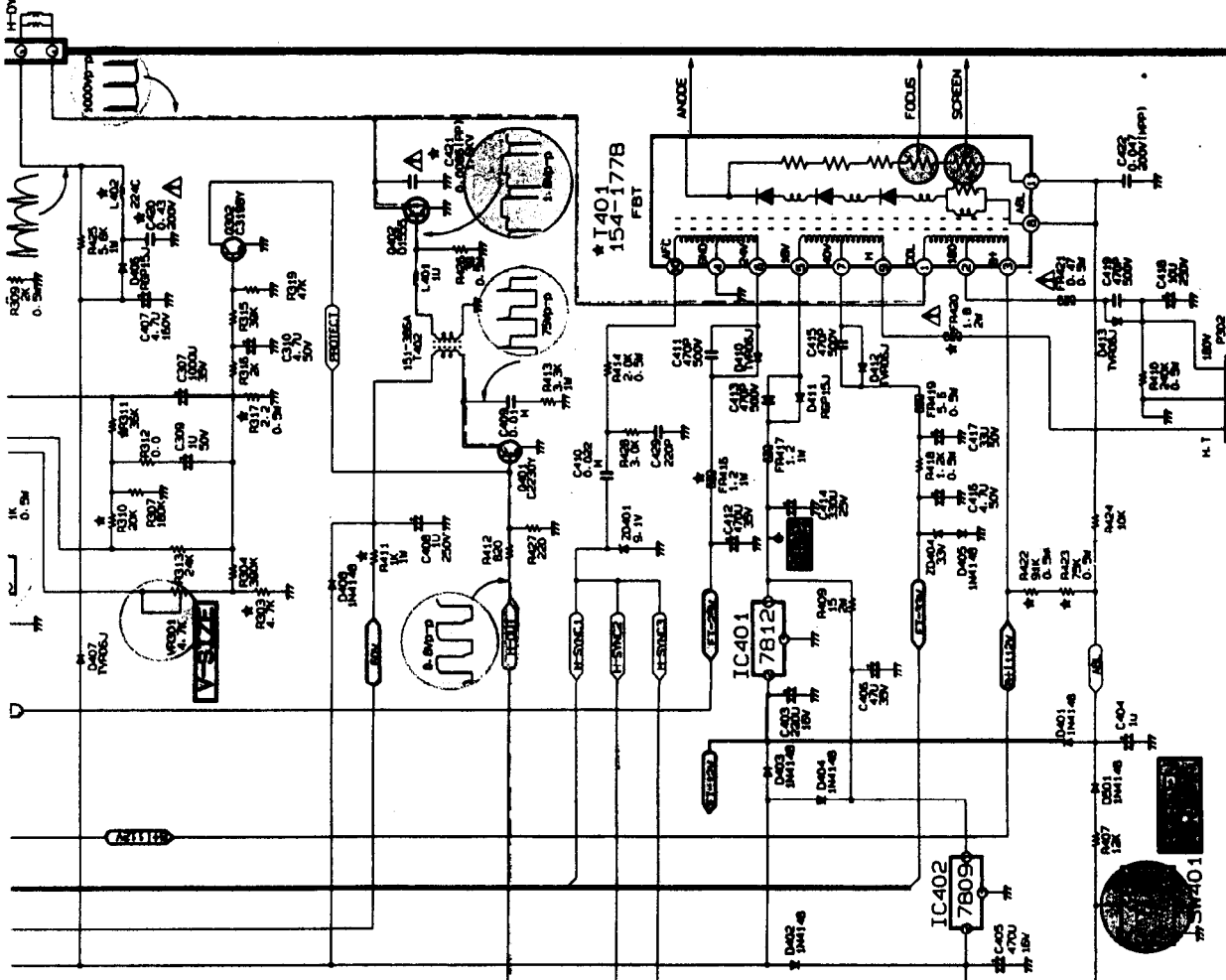
V-CENTER
5000

V-CENTER
5000

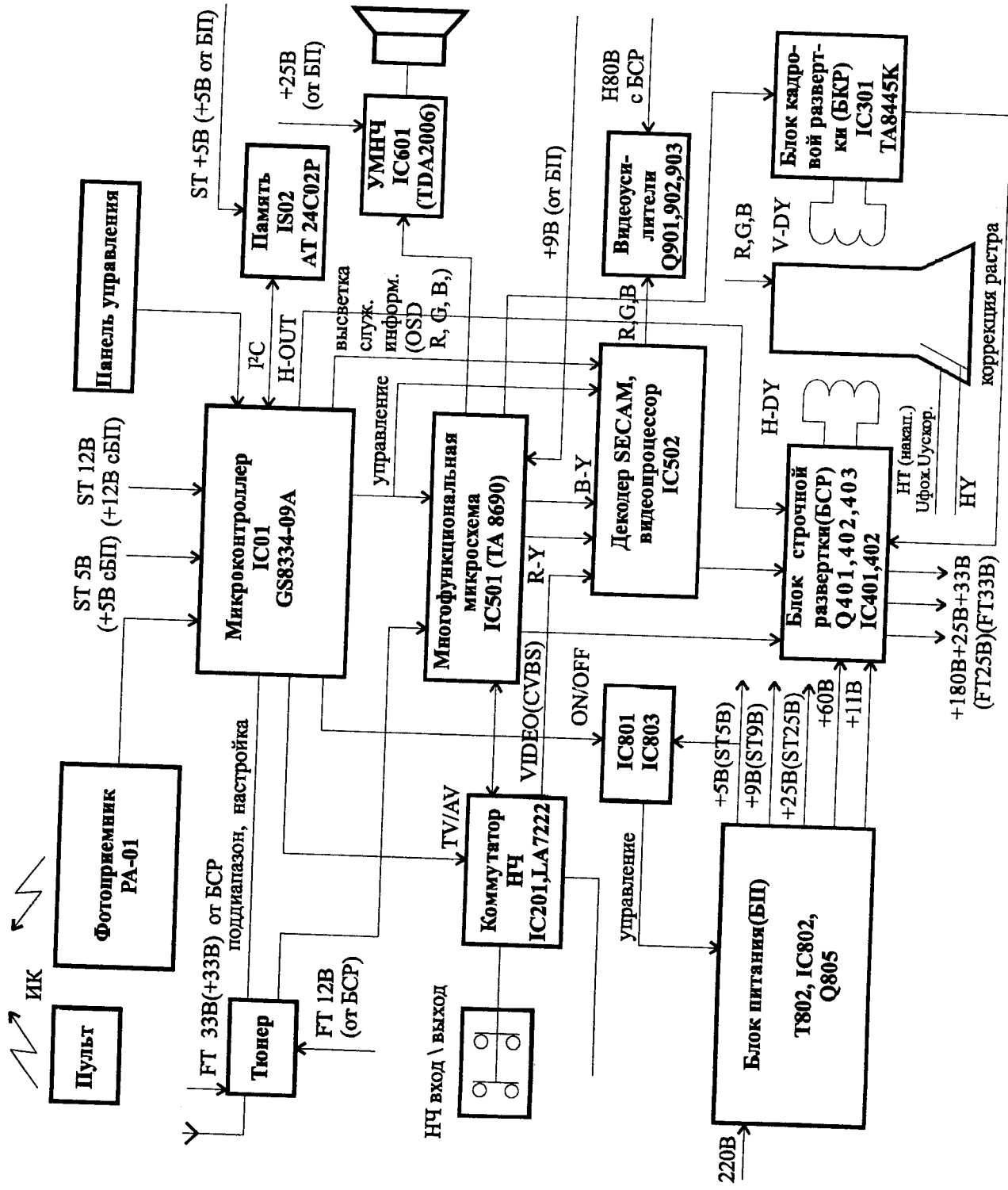


T181

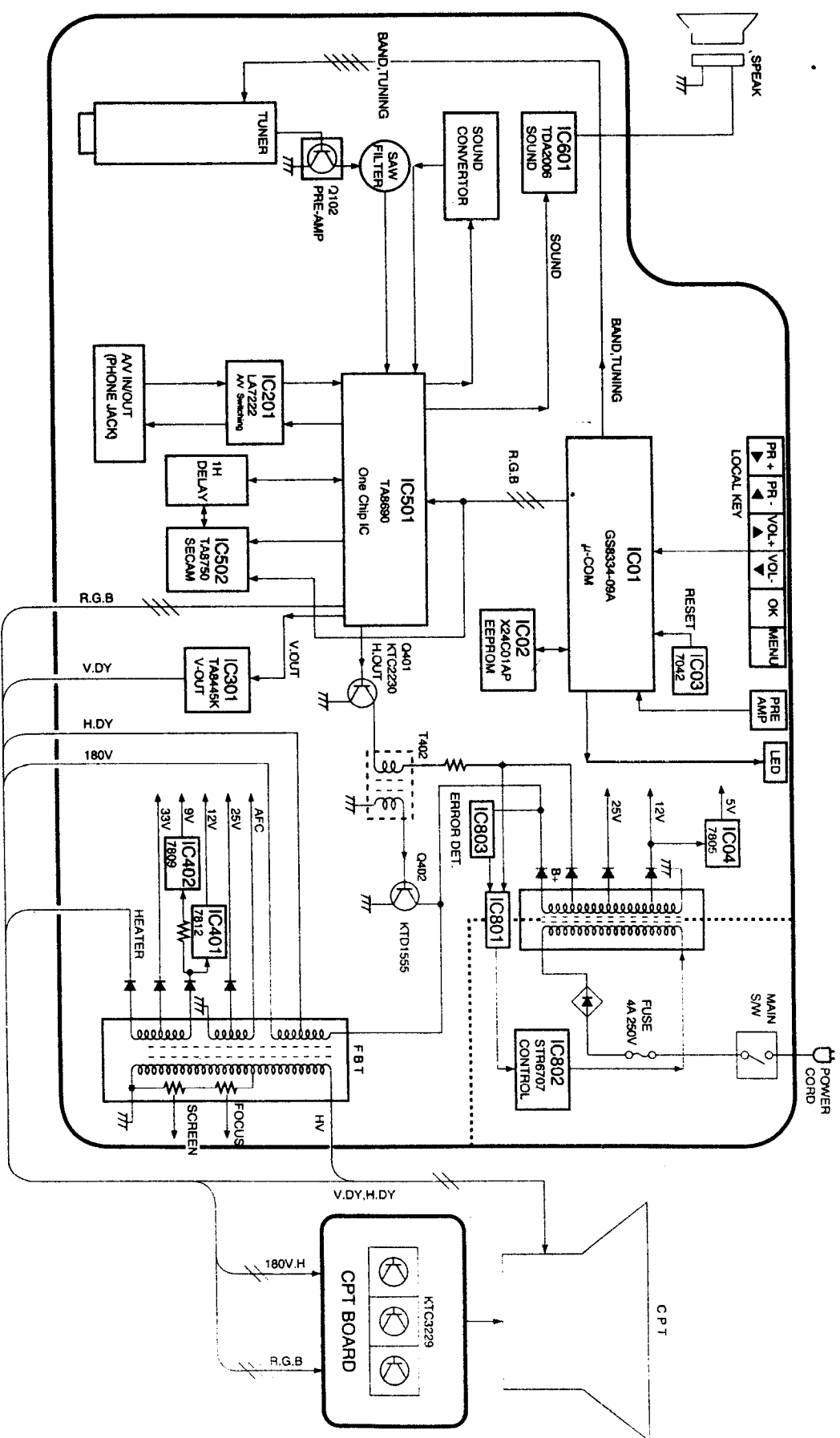
CZR1A707D



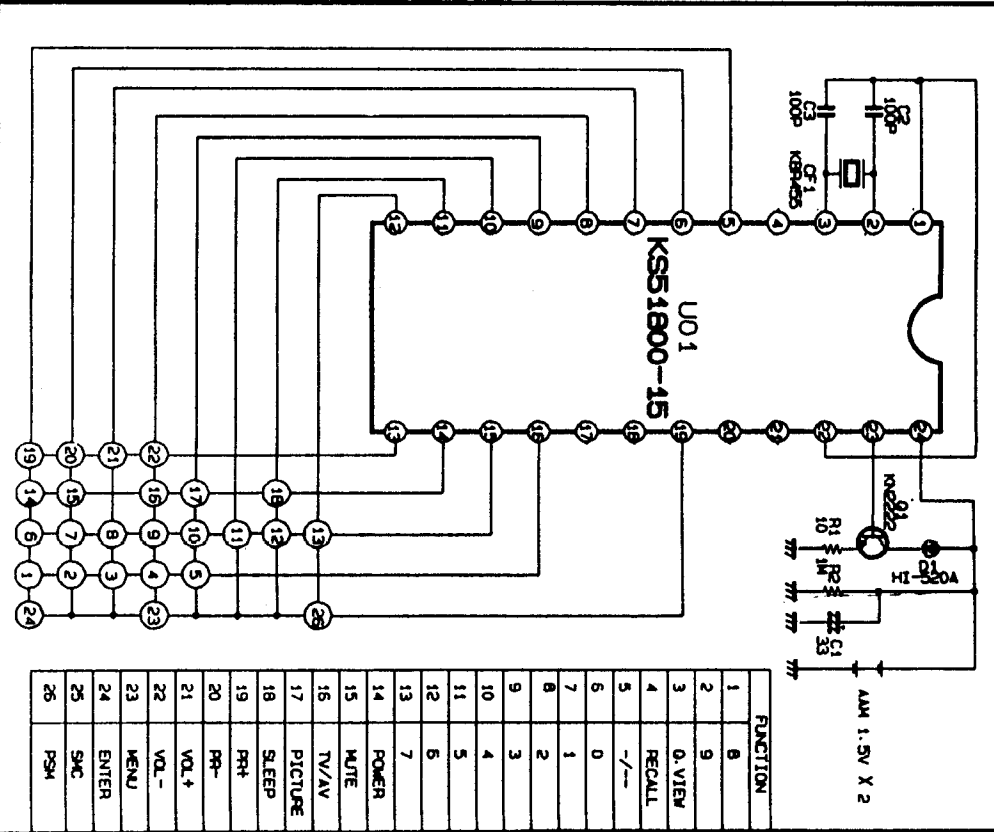
Структурная схема.



BLOCK DIAGRAM



SCHEMATIC DIAGRAM OF REMOTE CONTROL



EXPLODED VIEW PARTS LIST

SUB ASSY

100	CHASSIS ASSY MAIN	309-A62H	309-A62U
200	CABINET ASSY	300-B798B	300-B268B
300	TRANSMITTER ASSY	300-0092B AL.VOLUSE, ABABN	300-0092B AL.VOLUSE, ABABN
400	CABINET UNIT	306-0106B	306-0106B

No	DESCRIPTION	PART NO(1*)	PART NO(2*)
1	CPT	2056-V0744(R)+0.10(Gumal)	2056-V0633B(+0.3(Gumal)
2	SEAT RUBBER	2056-V0744(R)+0.3(Gumal)	2056-V0633B(+0.3(Gumal)
3	HOLDER, D-COIL	341-721A	NOT IN USE
4	SCREW ASSY HEXAGON HEAD	332-067B	341-721A
5	COIL DEGAUSSING	630-270F	630-438J
6	LEAD SET ASSY CPT EARTH	170-981A	170-981B
7	HOLDER, D-COIL	341-721B	NOT IN USE
8	SOCKET, CPT	381-100C	381-228D
9	SCREW, TRUSS HEAD	PPF04037B	PPF04037B
10	COVER ASSY BACK	303-H28E	303-H38E
11	PBT	64-064P	64-177B
12	JACK, AV	380-394A	380-394A
13	TUNER	113-118B	113-118B
14	COVER, TUNER	303-F82A	303-F82A
15	PCB ASSY MAIN	109-208A	109-208B
16	SWITCH, TACT	140-376A	140-376A
17	PRE-AMP	106-054B	106-054B
18	DIODE, LED	00D0000008A	00D0000008A
19	SWITCH	140-289A	140-289A
20	HOLDER, LED	341-783A	341-783A
21	PLATE, HEAT SINK	407-008J	407-008J
22	K.C. SANKEN	08SK670700B	08SK670700B
23	WASHER, OLV3	334-036A	334-036A
24	SCREW	89F030287B	89F030287B
25	PLATE, HEAT SINK	407-E80C	407-E80C
26	TRANSISTOR, KT07555	01TR5555000AA	01TR5555000AA
27	WASHER, OLV3	334-036A	334-036A
28	SCREW	89F030287B	89F030287B
29	PLATE, HEAT SINK	408-007B	408-007B
30	K.C. TOSHIBA TA8445K	01TD844500A	01TD844500A
31	SCREW	89F030241B	89F030241B
32	PLATE, HEAT SINK	408-005E	408-005E
33	K.C. KIA7812P1	01KE787200C	01KE787200C
34	K.C. KIA7809P1	01KE780900E	01KE780900E
35	SCREW	89F030241B	89F030241B
36	PLATE, HEAT SINK	407-E80H	407-E80H
37	K.C. SGS-THOMSON TDA2006	01SG200600A	01SG200600A
38	SCREW	89F030287B	89F030287B
39	CORD ASSY POWER	174-17F	NOT IN USE
40	HOLDER PCB RAIL	341-745A	NOT IN USE
41	SPEAKER ASSY	120-D94C	120-C93F
42	GRILL, SPEAKER	314-322A	314-320A
43	BUTTON, CONTROL	441-377A	441-364A
44	PANEL ASSY CONTROL	313-280B	313-286B
45	WINDOW, DISPLAY	316-428B	316-426B
46	BUTTON, POWER	441-376B	441-365B
47	SPRING, KNOB	320-062H	320-062F
48	BRACKET, CHA. RAIL	NOT IN USE	340-369A
49	SCREW	89F030287B	89F030287B
50	SCREW	PTT040287B	PTT040287B