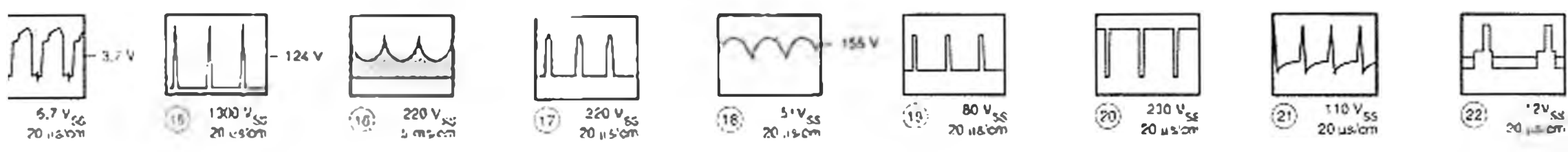


GRUNDIG
CUC 4410
CUC 4411 183-260V1

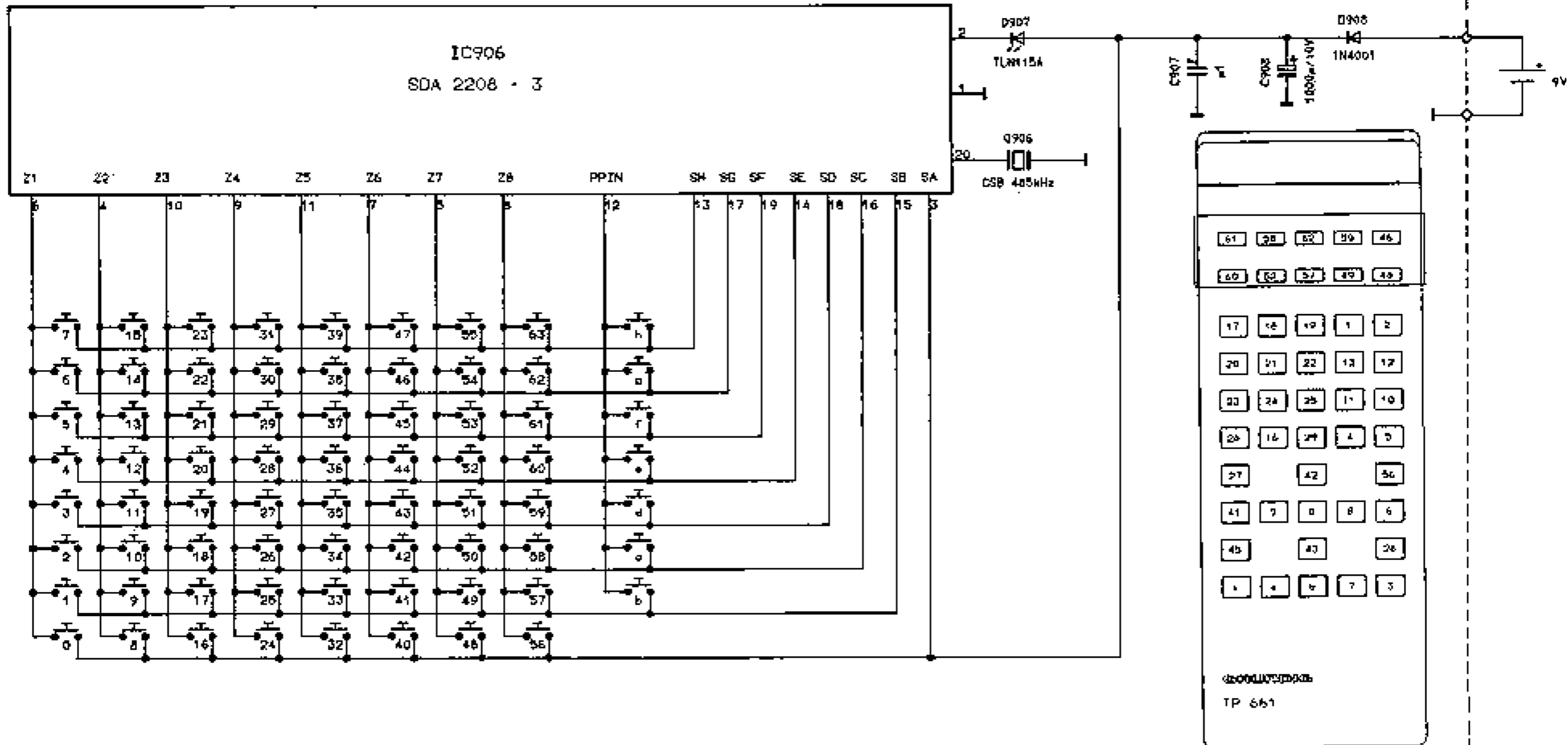
| | 0432 | 0438 | 0467 | 0468 | 0503 | 0522 | 0511 | 0526 | 1CA11 |
|----------------|------|------|------|------|------|------|------|------|-------|
| 21 | 70 | 30 | 168 | 130 | 100 | 100 | 100 | 100 | 100 |
| 20 | 20 | 30 | 168 | 130 | 100 | 100 | 100 | 100 | 100 |
| 20 | 20 | 30 | 168 | 130 | 100 | 100 | 100 | 100 | 100 |
| 20 VIDEO COLON | 20 | 30 | 168 | 130 | 100 | 100 | 100 | 100 | 100 |

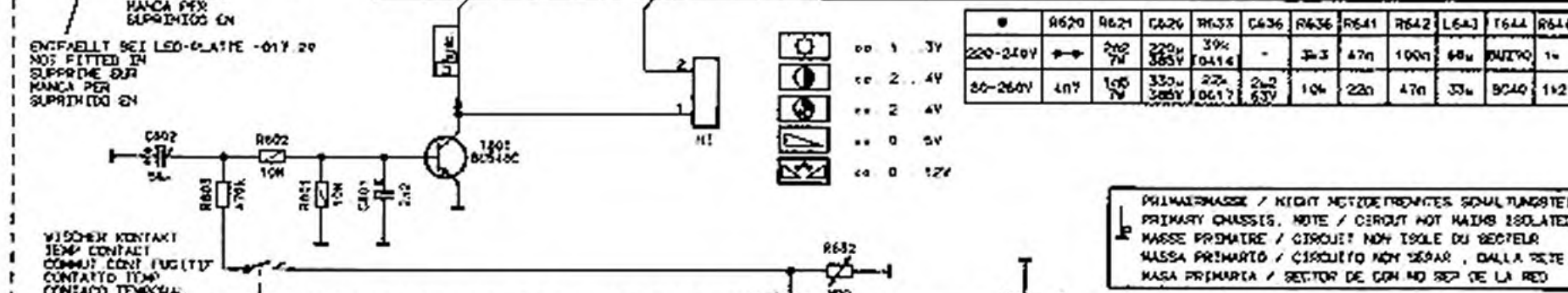
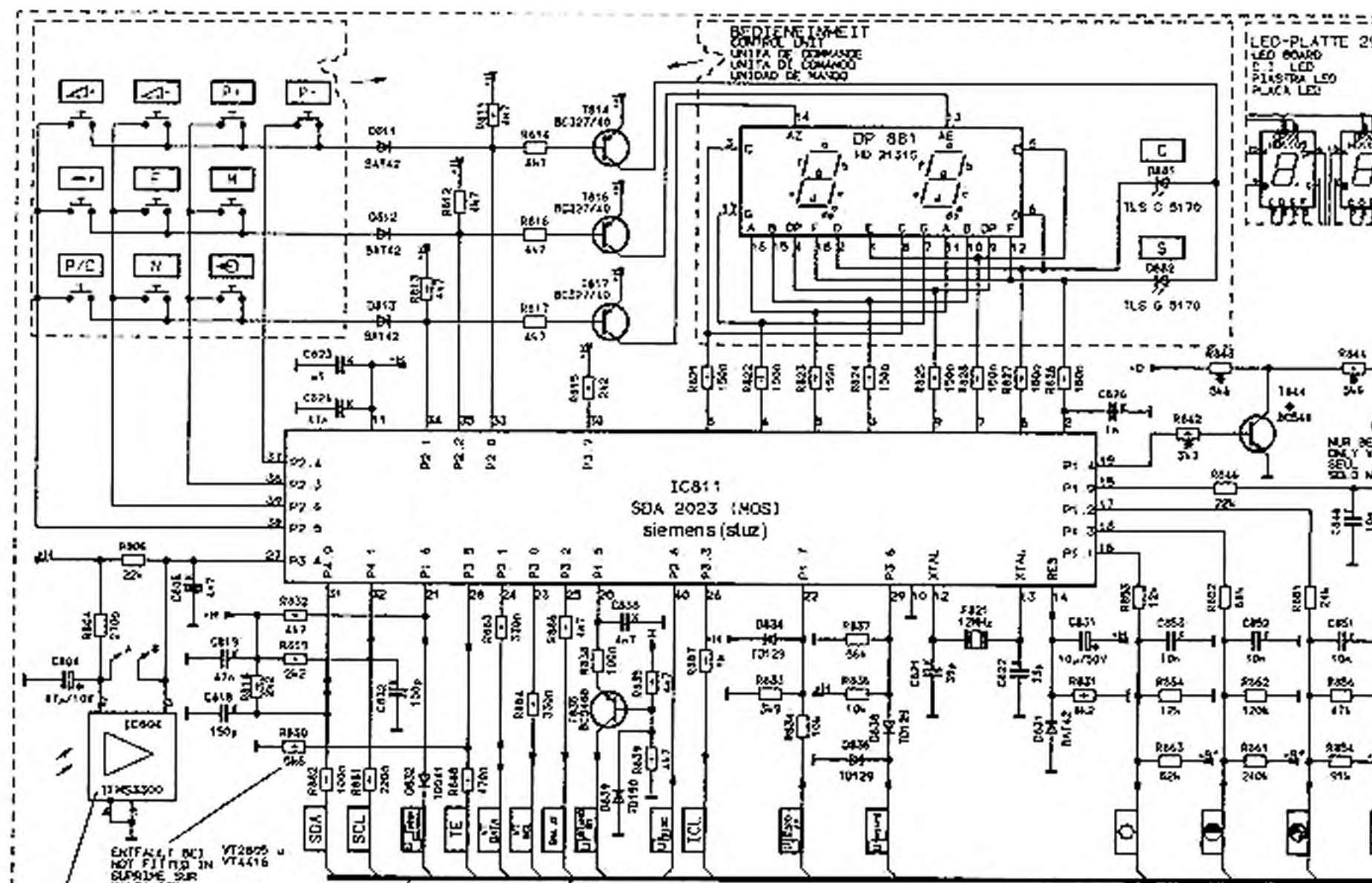
ALLEN UNTER VORBEHALT
SUBJECT TO ALTERATION
SOLUS RESERVE DE MODIFIC
CON RISERVA DE MODIFICA
RESERVAZI EL DERECHO DE MODIFICAC



TP 661
 TP 661 FASTTEXT
 TP 661 TDP

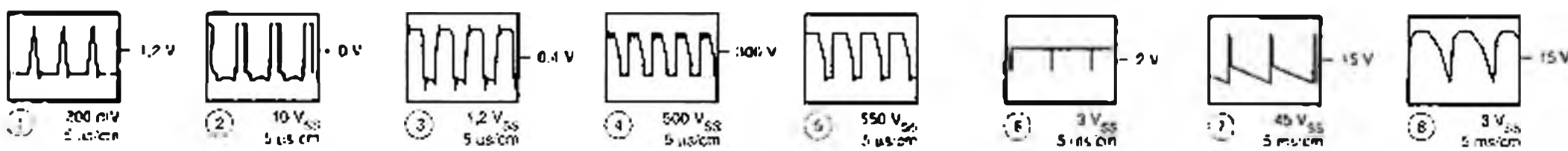
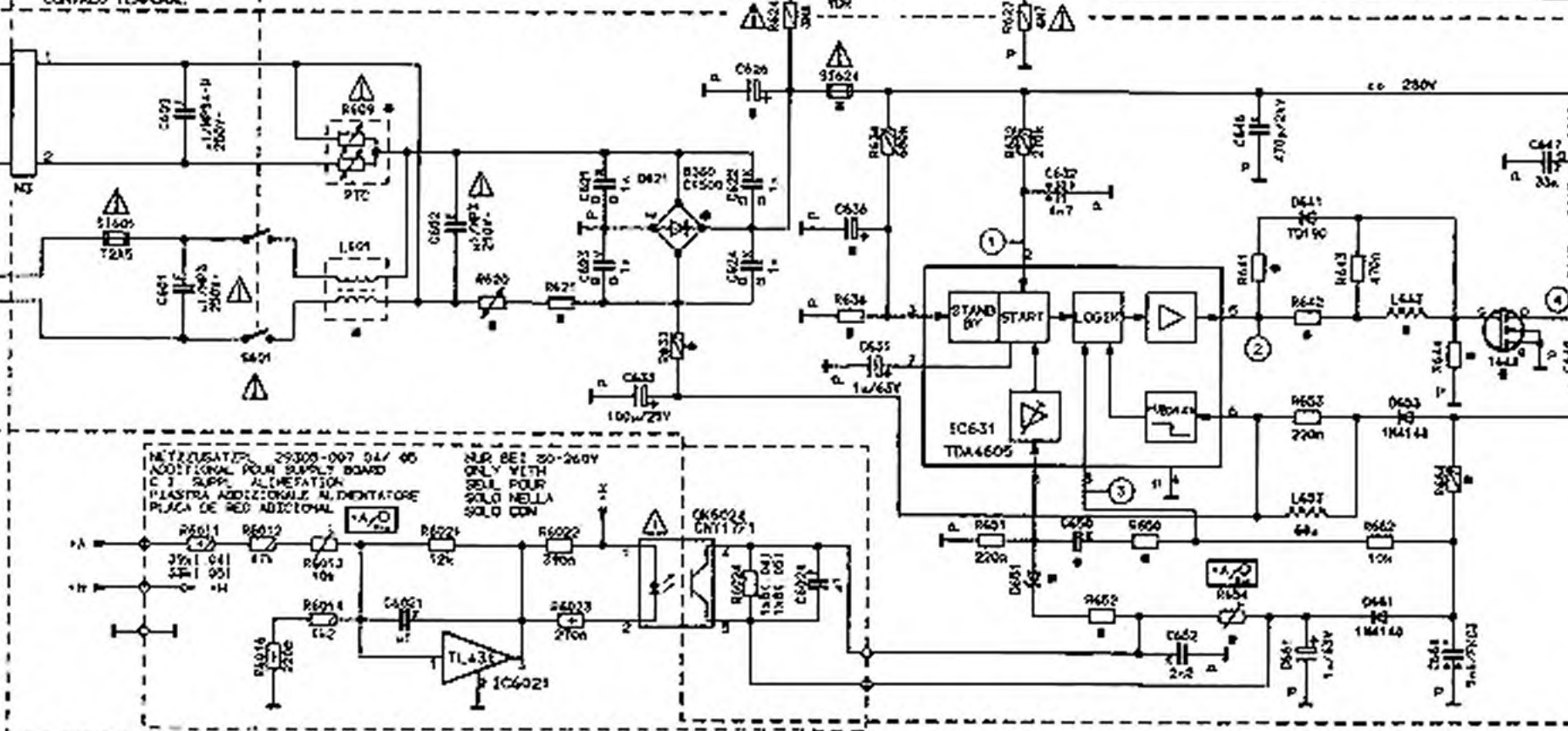
FERNBEDIENUNG 29627-053.01
 REMOTE CONTROL -053.12 FASTTEXT
 TELECOMMAND -053.13 TOPTEXT
 TELE HANDS

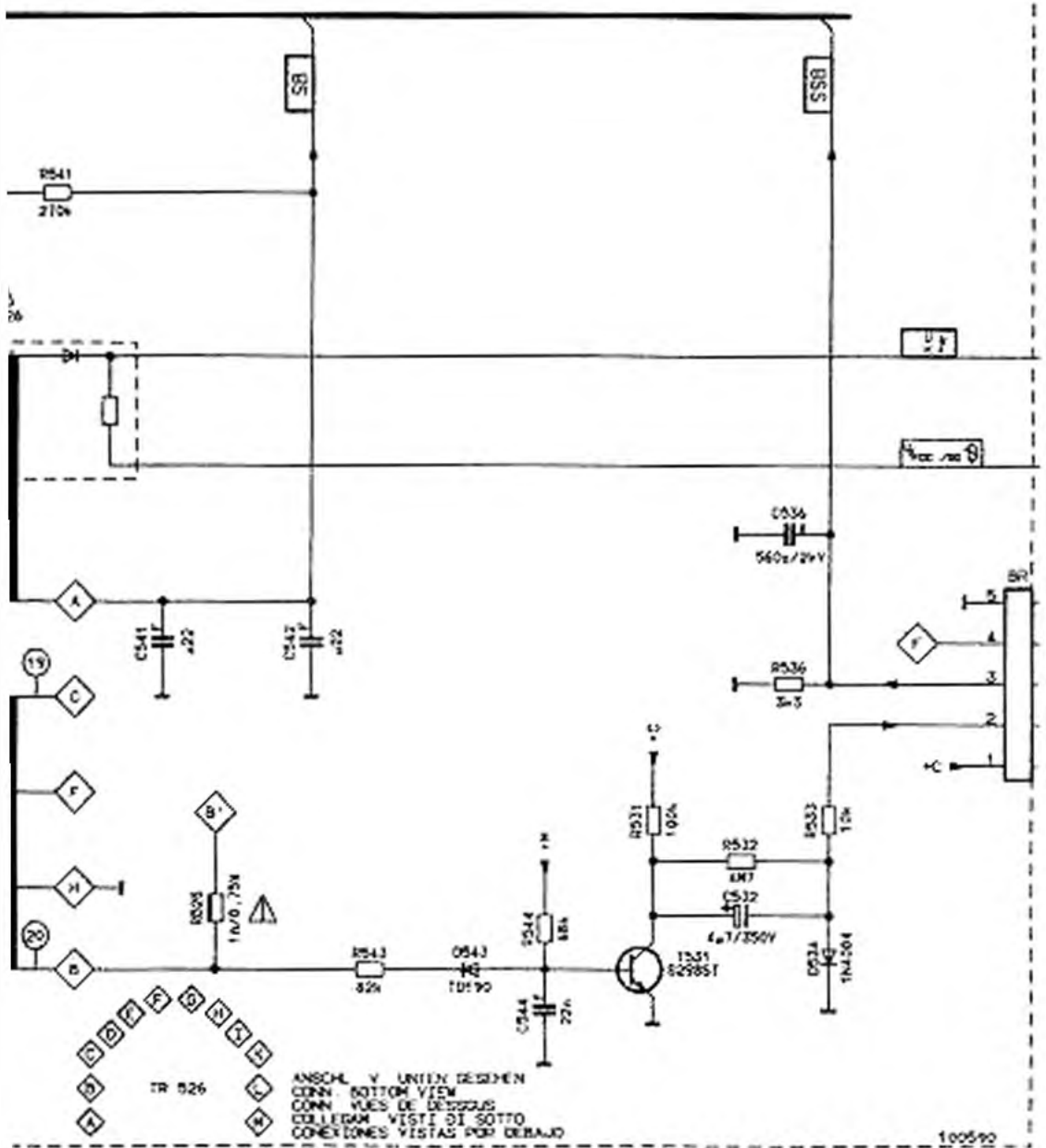
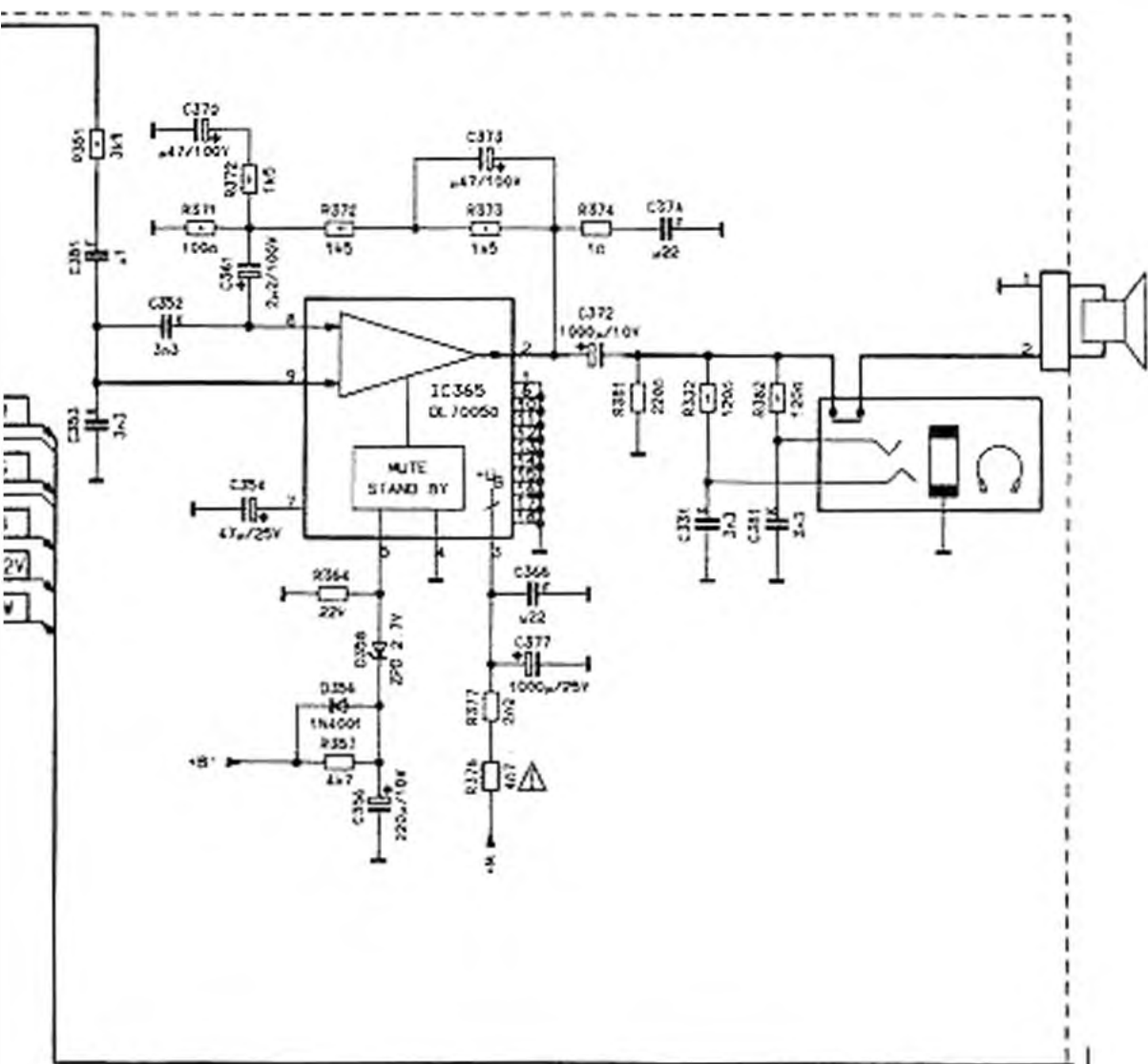




| | R620 | R621 | C626 | R633 | C636 | R636 | R641 | R642 | L643 | T644 | R644 |
|---|----------|------|------|-------|------|------|------|------|------|-------|------|
| • | 220-240V | 250 | 220 | 39k | - | 3-3 | 47n | 100n | 68u | BUZY0 | 1k |
| ◀ | 20-260V | 4n7 | 150 | 330k | 22k | 2k5 | 10k | 22n | 47n | 33u | 9040 |
| | | | | 10k29 | 100n | 100n | 10k | 10k | 10k | 10k | 10k |

PRIMAERMASSE / NECHY NECHY FRENCHES SODAL TUNGSTEN
 PRIMARY MASSIS. NOTE / CIRCUIT NOT MAINS ISOLATED
 MASSE PRIMARIO / CIRCUIT NOT ISOLE DU RESEAU
 MASSA PRIMARIA / CIRCUITO NON SEPAR. DALLA RETE
 MASA PRIMARIA / SECTOR DE GDN NO SEP. DE LA RED

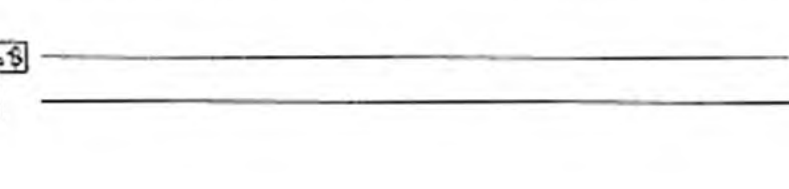
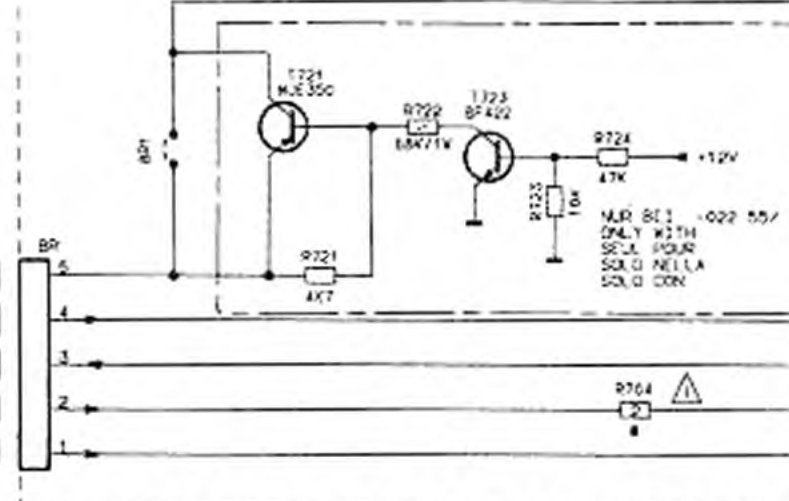
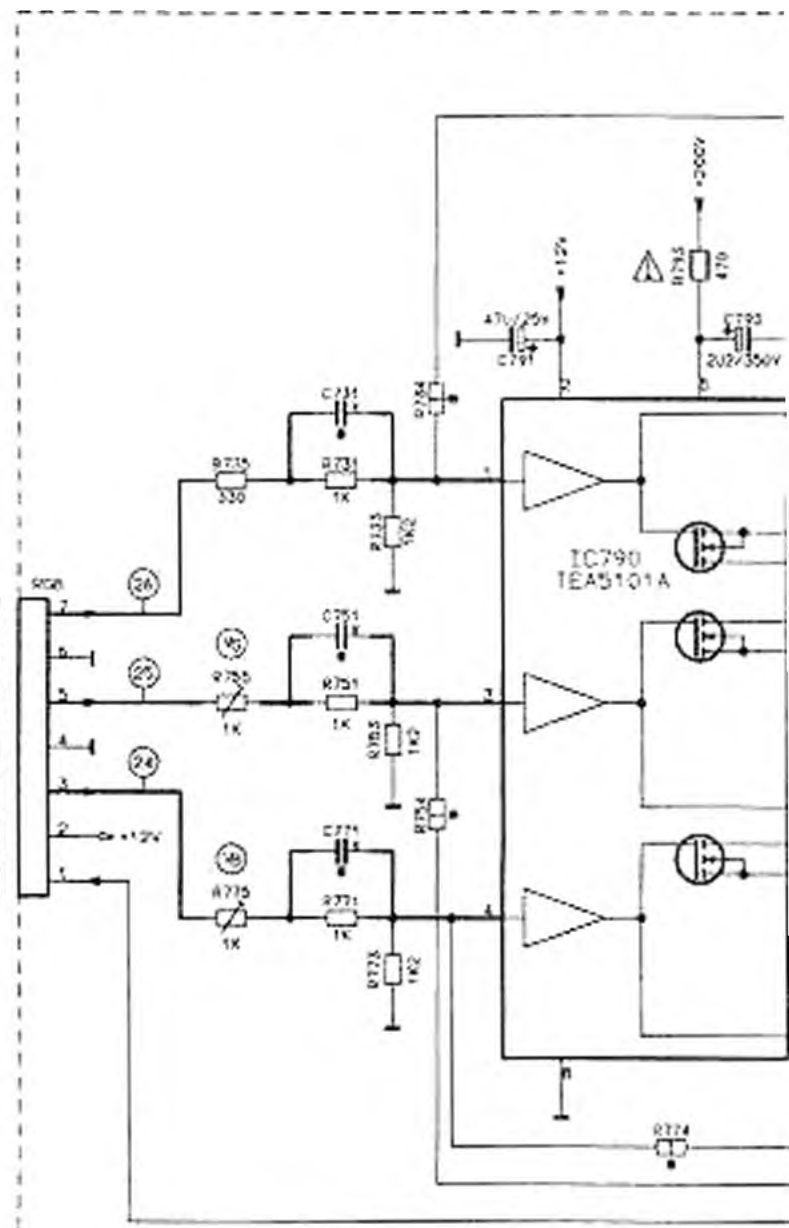




SSB - PLATTE
C.I. TUBE CATHOD
PIASTRA CINESCO

ZUM FARR-ROH
TO COLLAR ROH
VERS MOD. DECODER RWB
A. MOD. COLLAR RWB
A. CROWN/ROH

ZUM ZEILENTRAG
TO LINE TRANSFORMER
VERS TRANSFORMER
ALLO TRANSFORMER
AL TRANSFORMER DE LINES



ANSCHL. V. UNITEN ZEICHEN
CIRCUIT BOTTOM VIEW
CONN. VUES DE DESSOUS
COLLEGAM. VISTI DI SOTTO
CONEXIONES VISTAS POR DEBAJO

100592

