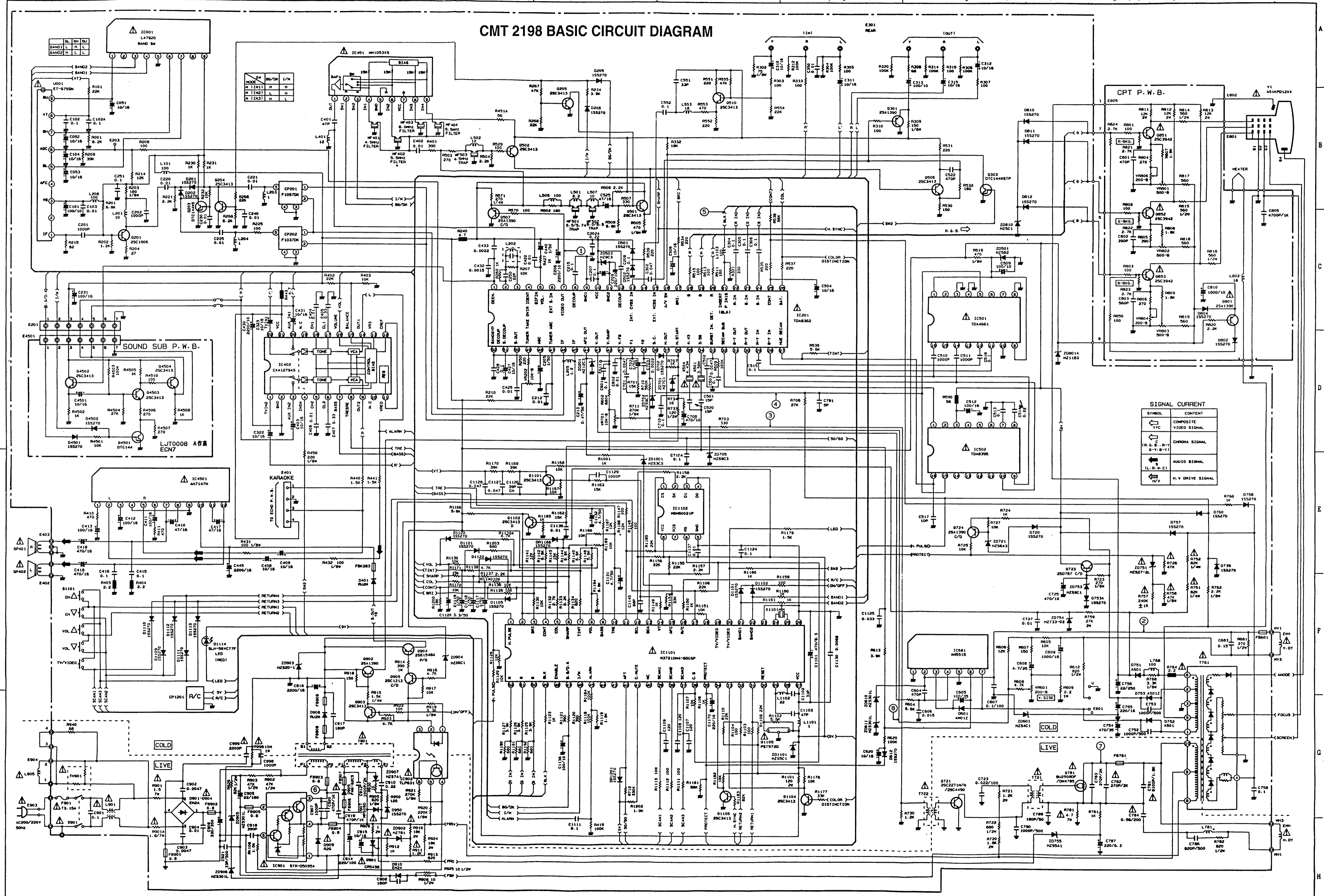


CMT 2198 BASIC CIRCUIT DIAGRAM



SIGNAL CURRENT

SYMBOL	CONTENT
\leftarrow Y/C	COMPOSITE VIDEO SIGNAL
\leftarrow R-G-B-Y	CHROMA SIGNAL
\leftarrow L-R-W-C	AUDIO SIGNAL
\leftarrow H/V	H-V DRIVE SIGNAL

ABCDEFGHIJKLMNPQRSTUVWXYZ

abcdefghijklmapqrstuvwxyz

100

18

αβγδεζηθικλμνξοπ

Since this is a basic circuit diagram, the value of the parts is subject to be altered for improvement.