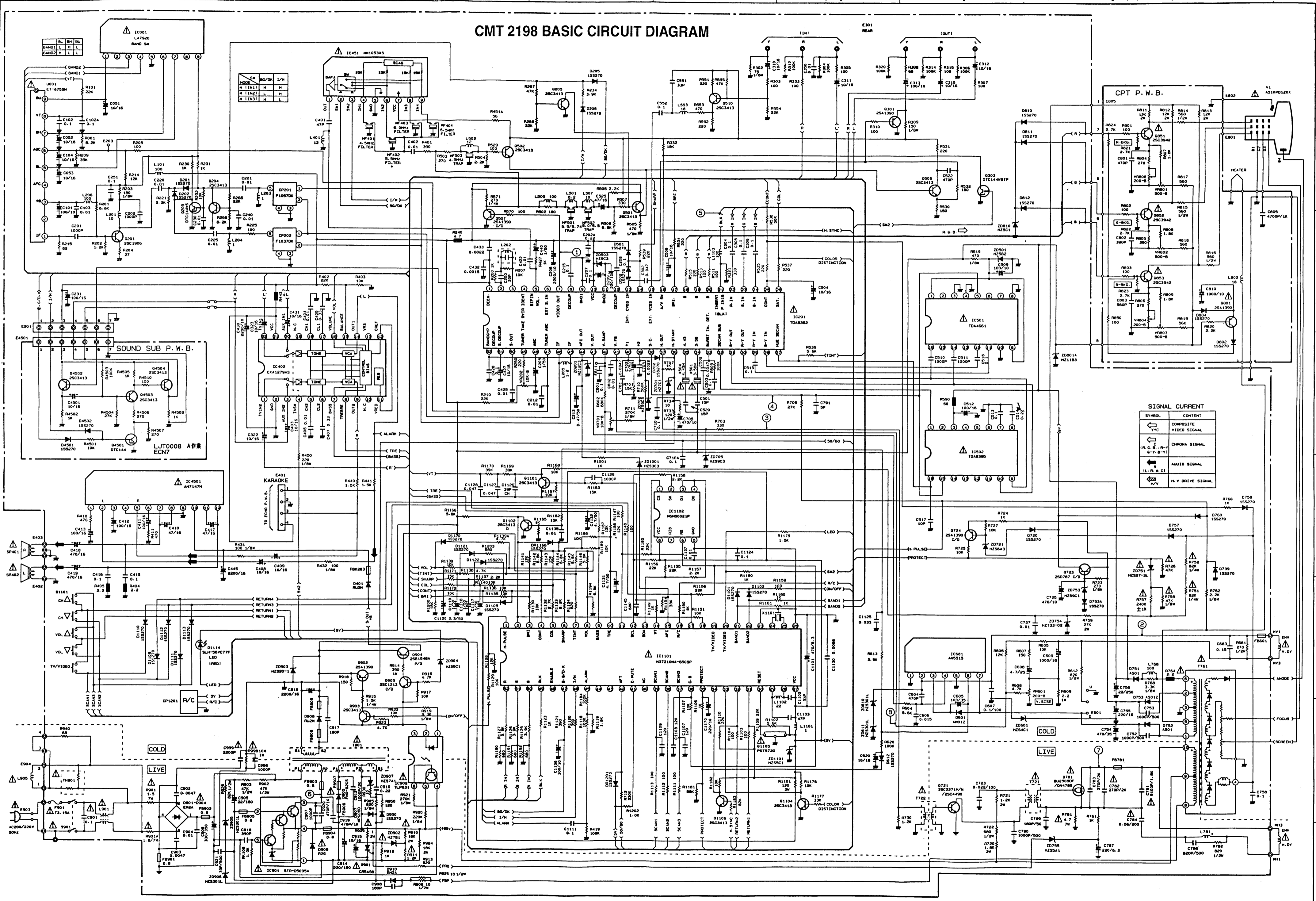


PRODUCT SAFETY NOTE : Components marked with a Δ have special characteristics important to safety. Before replacing any of these components, read carefully the PRODUCT SAFETY NOTICE of this Service Manual. Don't degrade the safety of the receiver through improper servicing.

CMT 2198 BASIC CIRCUIT DIAGRAM



SIGNAL CURRENT

SYMBOL	CONTENT
\leftarrow Y/C	COMPOSITE VIDEO SIGNAL
\leftarrow R-G-B-Y	CHROMA SIGNAL
\leftarrow L-R-W-C	AUDIO SIGNAL
\leftarrow H/V	H-V DRIVE SIGNAL

ABCDEFGHIJKLMNPQRSTUVWXYZ

abcdefghijklmnpqrstuvwxy

100 18

αβγδεζηθικλμνξοπ

Since this is a basic circuit diagram, the value of the parts is subject to be altered for improvement.