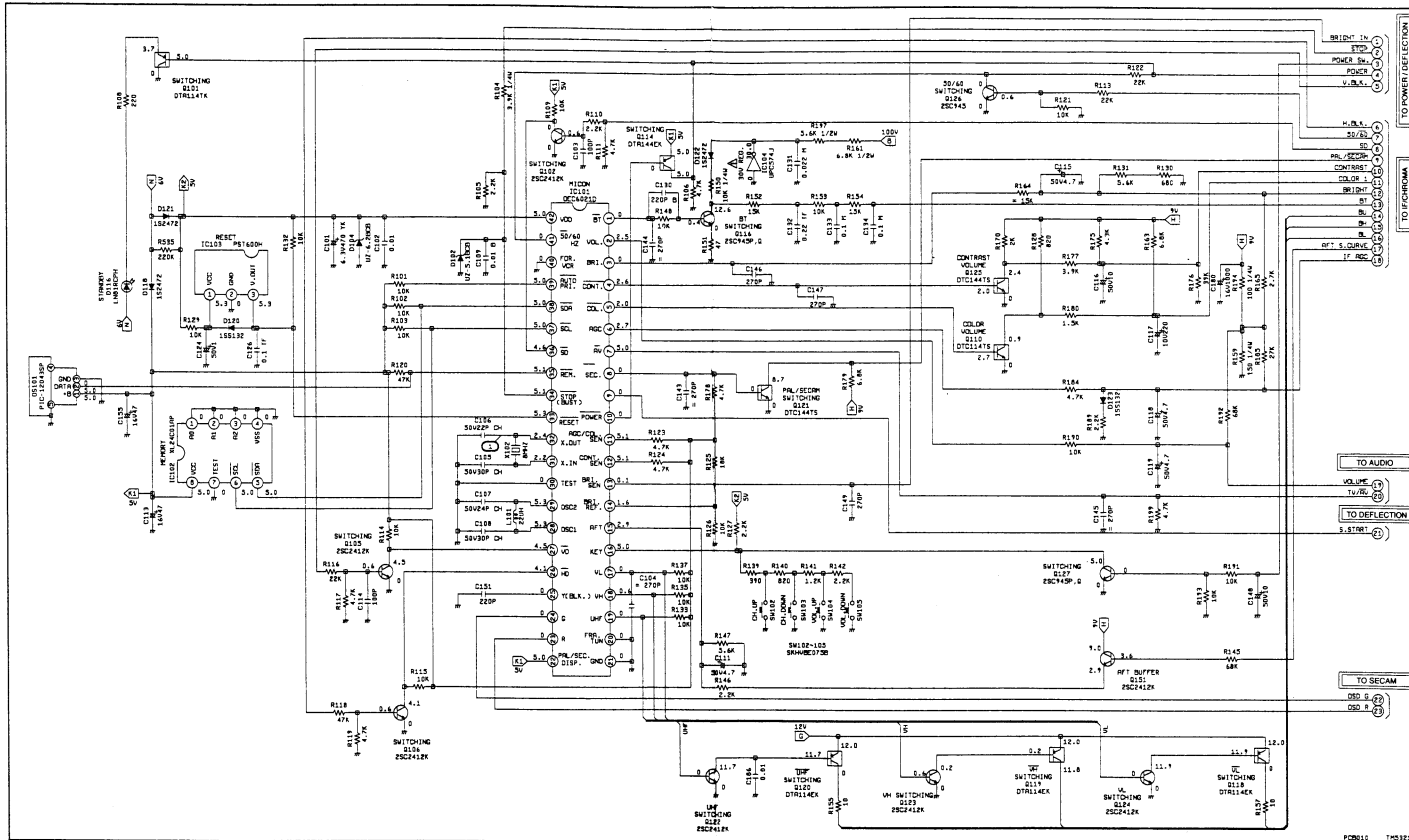


CHASSIS SCHEMATIC DIAGRAM

MODEL: TV2050MK5

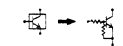
TH101
EUR-331512

BT001
UM-4(GR)
BT002
UM-4(GR)

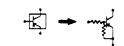


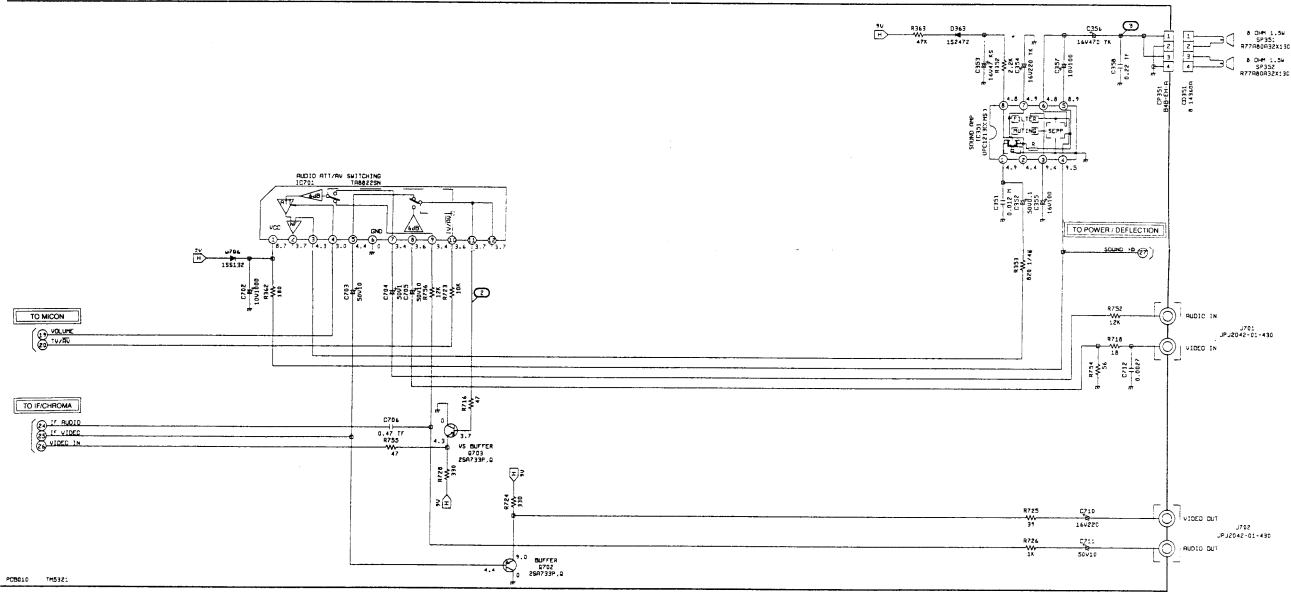
PCB010 TH502

CRUITION: DIGITAL TRANSMISSION

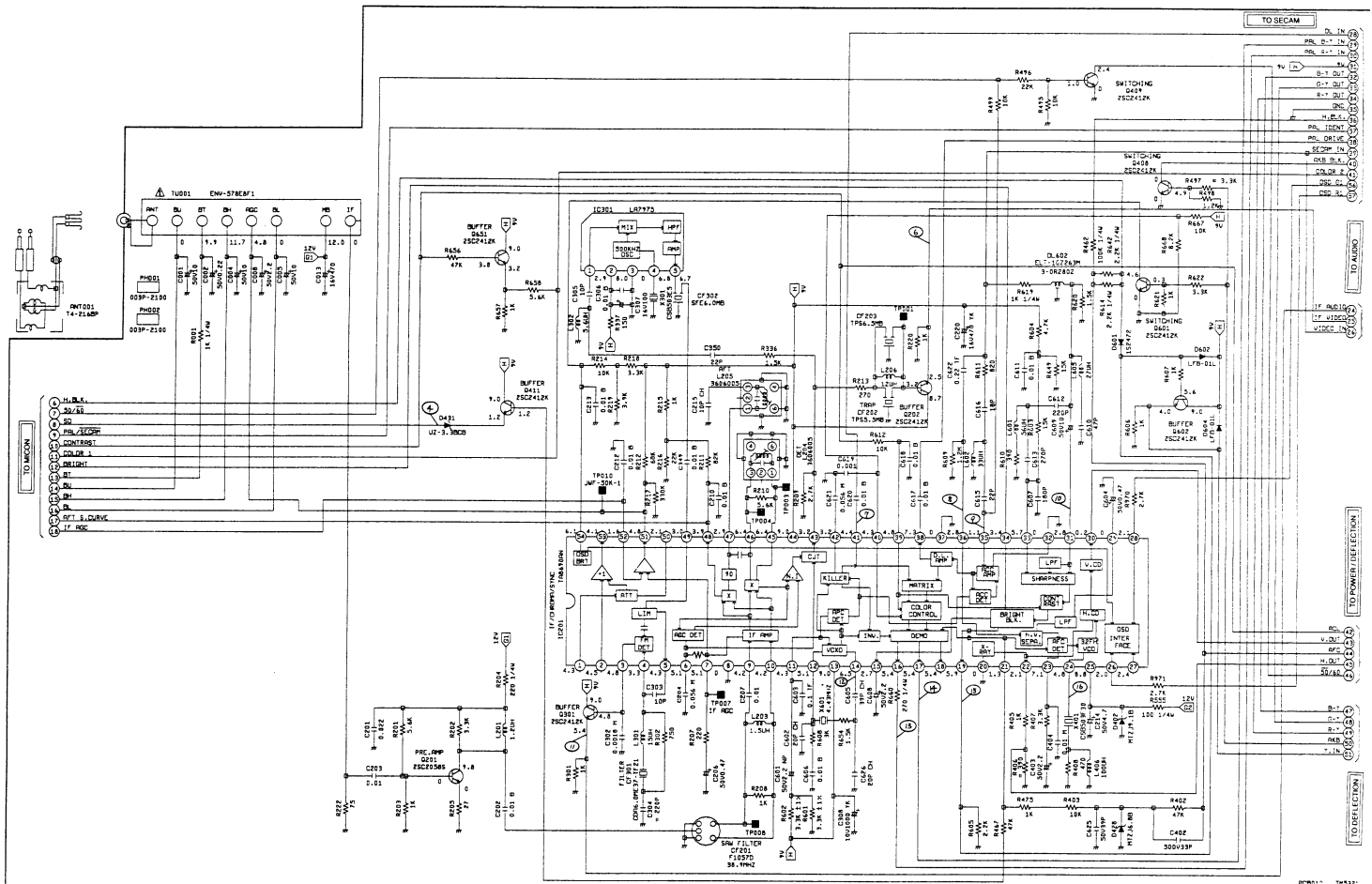


CRUITION: DIGITAL TRANSMISSION






PCB011 TH532



PCB011 TH532

NOTE: THIS SCHEMATIC DIAGRAM IS THE LATEST AT THE TIME OF PRINTING AND SUBJECT TO CHANGE WITHOUT NOTICE.

CAUTION: SINCE THESE PARTS MARKED WITH  ARE CRITICAL FOR SAFETY, USE ONES DESCRIBED ON PARTS LIST ONLY.

 ARE

