

DEG COIL
T8PA018 (For TX-38WG28C)
T8PA017 (For TX-38WG28C)

D - BOARD
TZTNP010B8H (For TX-38WG28C)
TZTNP010BCH (For TX-38WG28C)

TPD1 TPD2
T802
ETP822078F
TLP8A14

AC POWER
CORD T8XC1481

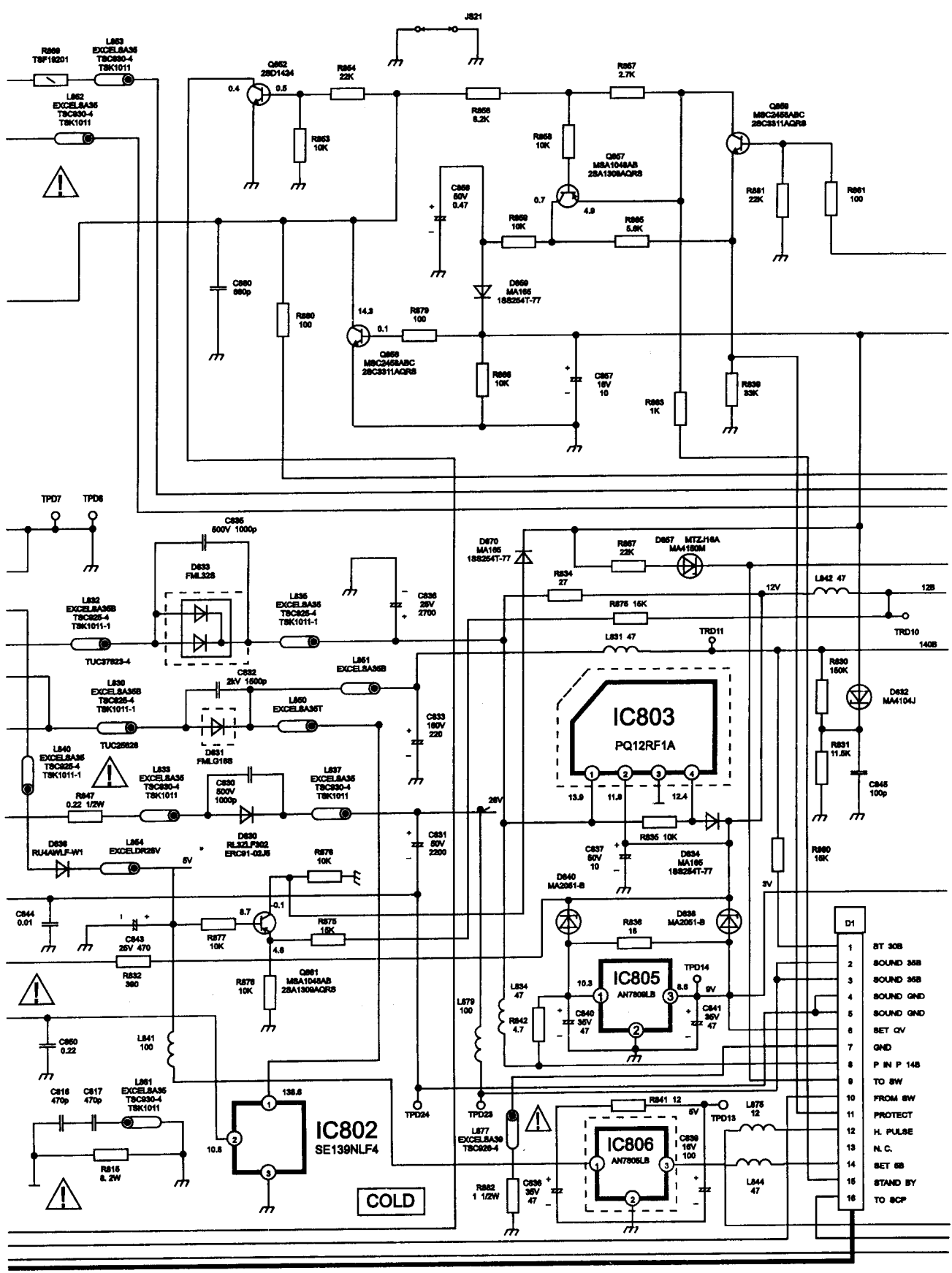
HOT
COLD
D871 MA186
T8S2841-77

IC801
STRM6329F04

T801
ETB8AC288NC
TLP8A007

D805
MA186
T8S2841-77

D806
ERA15-01



COLD

- | | |
|----|------------|
| 1 | BT 30B |
| 2 | SOUND 35B |
| 3 | SOUND 36B |
| 4 | SOUND GND |
| 5 | SOUND GND |
| 6 | SET QV |
| 7 | GND |
| 8 | P IN P 14B |
| 9 | TO SW |
| 10 | FROM SW |
| 11 | PROTECT |
| 12 | H. PULSE |
| 13 | N. C. |
| 14 | SET SB |
| 15 | STAND BY |
| 16 | TO SCP |