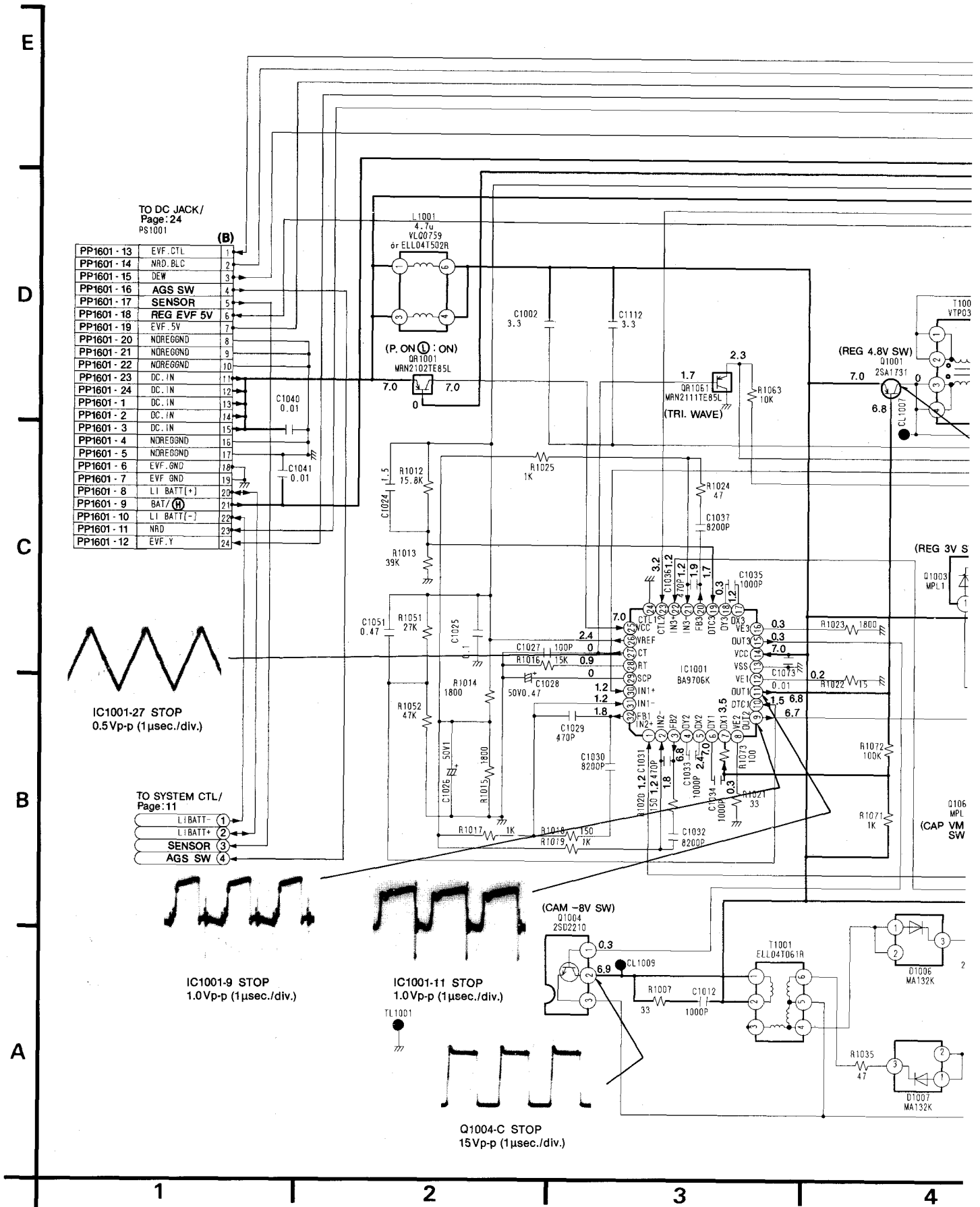
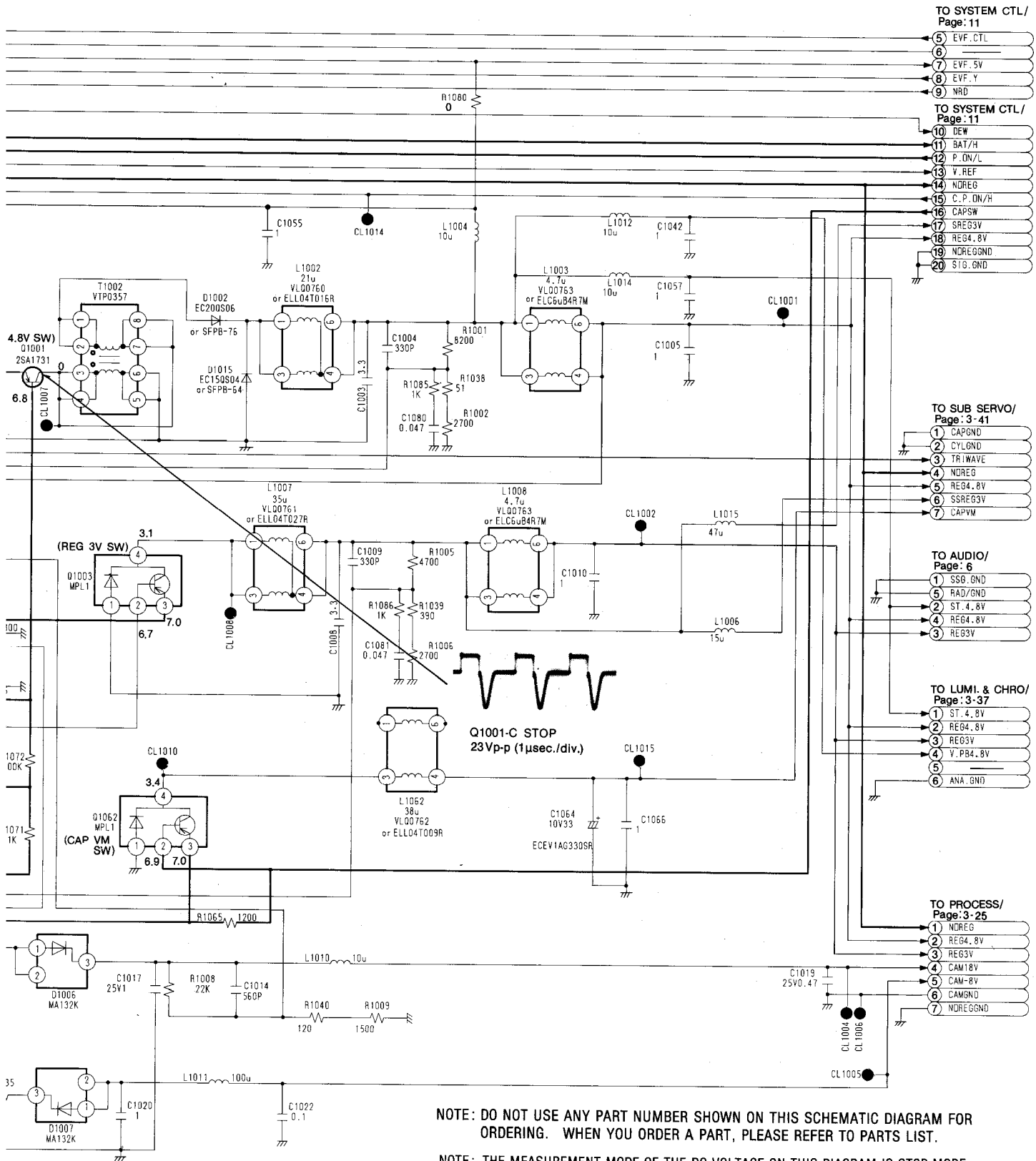


2. POWER SCHEMATIC DIAGRAM



Back Page:
COMPARISON CHART Section



TO SYSTEM CTL/
Page: 11

- ⑤ EVF. CTL
- ⑥
- ⑦ EVF. 5V
- ⑧ EVF. Y
- ⑨ NRD

TO SYSTEM CTL/
Page: 11

- ⑩ DEW
- ⑪ BAT/H
- ⑫ P. DN/L
- ⑬ V. REF
- ⑭ NDREG
- ⑮ C. P. DN/H
- ⑯ CAPSW
- ⑰ SREG3V
- ⑱ REG4.8V
- ⑲ NDREGGND
- ⑳ STG. GND

TO SUB SERVO/
Page: 3-41

- ① CAPGND
- ② CYLGND
- ③ TR1WAVE
- ④ NDREG
- ⑤ REG4.8V
- ⑥ SSREG3V
- ⑦ CAPVM

TO AUDIO/
Page: 6

- ① SSG. GND
- ② RAD/GND
- ③ ST. 4.8V
- ④ REG4.8V
- ⑤ REG3V

TO LUMI. & CHRO/
Page: 3-37

- ① ST. 4.8V
- ② REG4.8V
- ③ REG3V
- ④ V. PB4.8V
- ⑤
- ⑥ ANA. GND

TO PROCESS/
Page: 3-25

- ① NDREG
- ② REG4.8V
- ③ REG3V
- ④ CAM18V
- ⑤ CAM-8V
- ⑥ CAMGND
- ⑦ NDREGGND

NOTE: DO NOT USE ANY PART NUMBER SHOWN ON THIS SCHEMATIC DIAGRAM FOR ORDERING. WHEN YOU ORDER A PART, PLEASE REFER TO PARTS LIST.

NOTE: THE MEASUREMENT MODE OF THE DC VOLTAGE ON THIS DIAGRAM IS STOP MODE

4

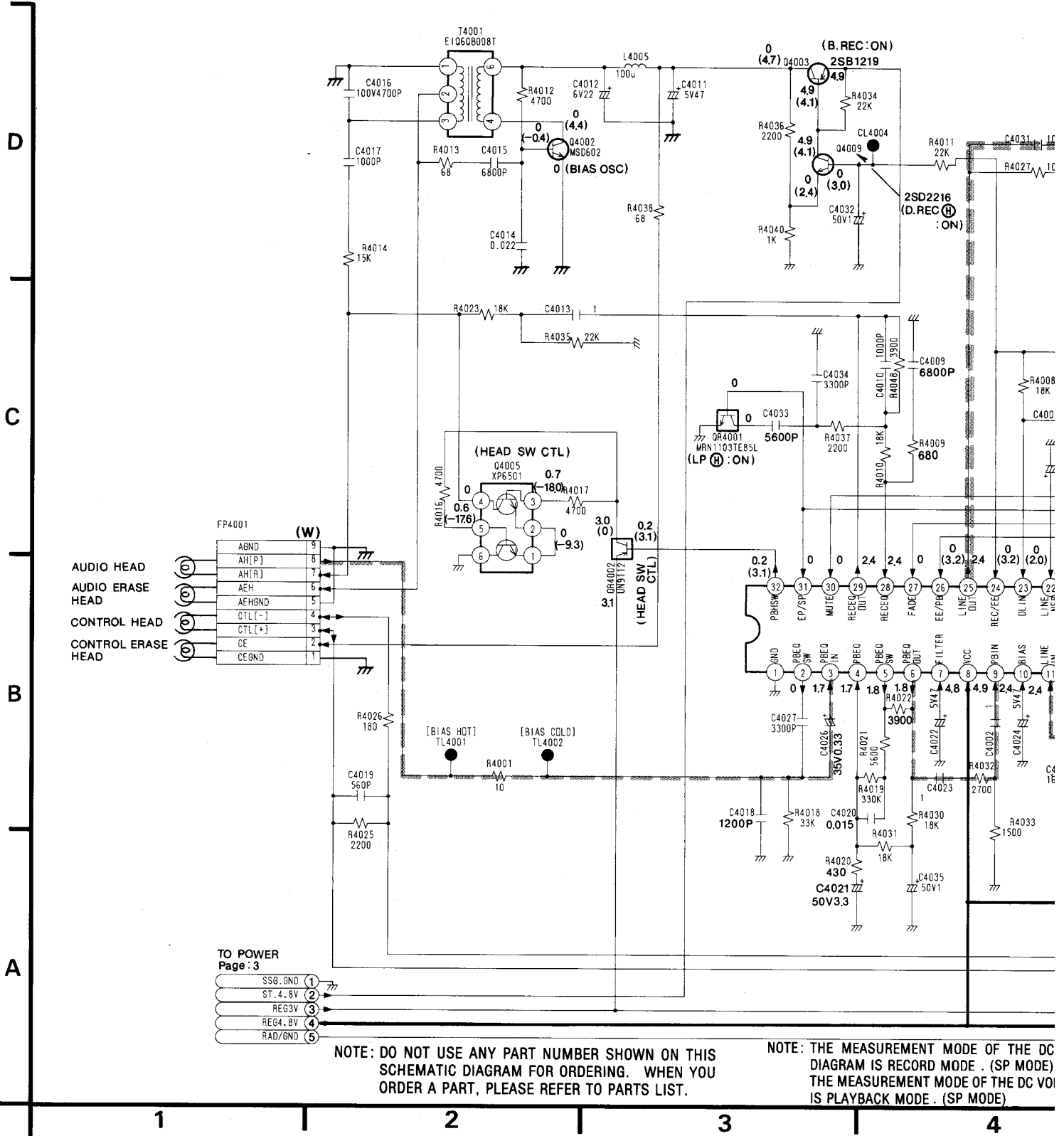
5

6

7

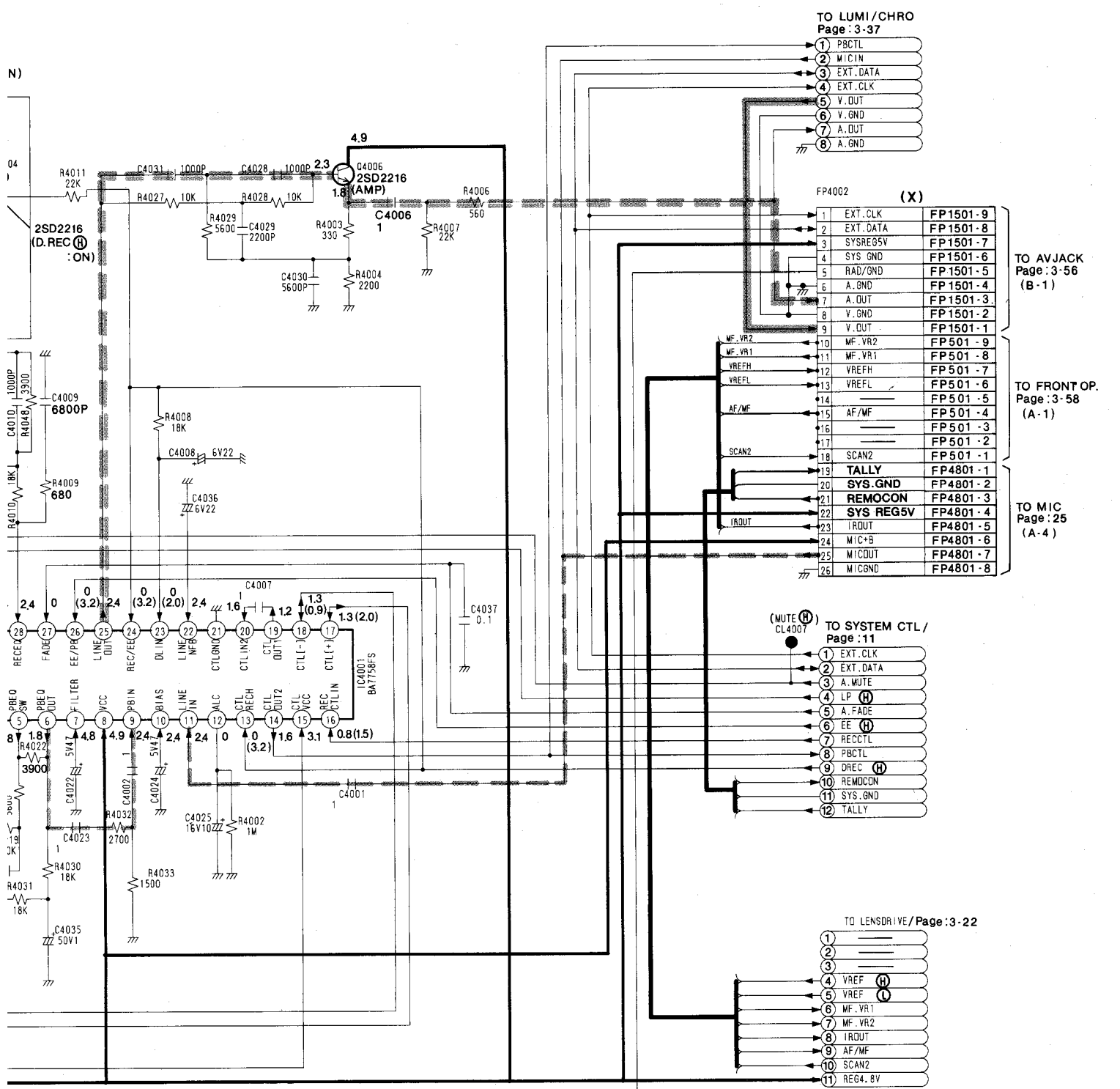
3. AUDIO SCHEMATIC DIAGRAM

VIDEO MAIN SIGNAL PATH IN REC
 VIDEO MAIN SIGNAL PATH IN PL



SIGNAL PATH IN REC MODE
 SIGNAL PATH IN PLAYBACK MODE

--- AUDIO MAIN SIGNAL PATH IN REC MODE
 - - - - AUDIO MAIN SIGNAL PATH IN PLAYBACK MODE



- TO LUMI/CHRO
 Page: 3-37
- 1 PBCTL
 - 2 MICIN
 - 3 EXT. DATA
 - 4 EXT. CLK
 - 5 V. OUT
 - 6 V. GND
 - 7 A. OUT
 - 8 A. GND

FP4002 (X)

1	EXT. CLK	FP1501-9
2	EXT. DATA	FP1501-8
3	SYSREG5V	FP1501-7
4	SYS GND	FP1501-6
5	RAD/GND	FP1501-5
6	A. GND	FP1501-4
7	A. OUT	FP1501-3
8	V. GND	FP1501-2
9	V. OUT	FP1501-1
10	MF_VR2	FP501-9
11	MF_VR1	FP501-8
12	VREFH	FP501-7
13	VREFL	FP501-6
14		FP501-5
15	AF/MF	FP501-4
16		FP501-3
17		FP501-2
18	SCAN2	FP501-1
19	TALLY	FP4801-1
20	SYS. GND	FP4801-2
21	REMOCON	FP4801-3
22	SYS REG5V	FP4801-4
23	TROUT	FP4801-5
24	MIC+B	FP4801-6
25	MICOUT	FP4801-7
26	MICGND	FP4801-8

TO AVJACK
 Page: 3-56
 (B-1)

TO FRONT OP.
 Page: 3-58
 (A-1)

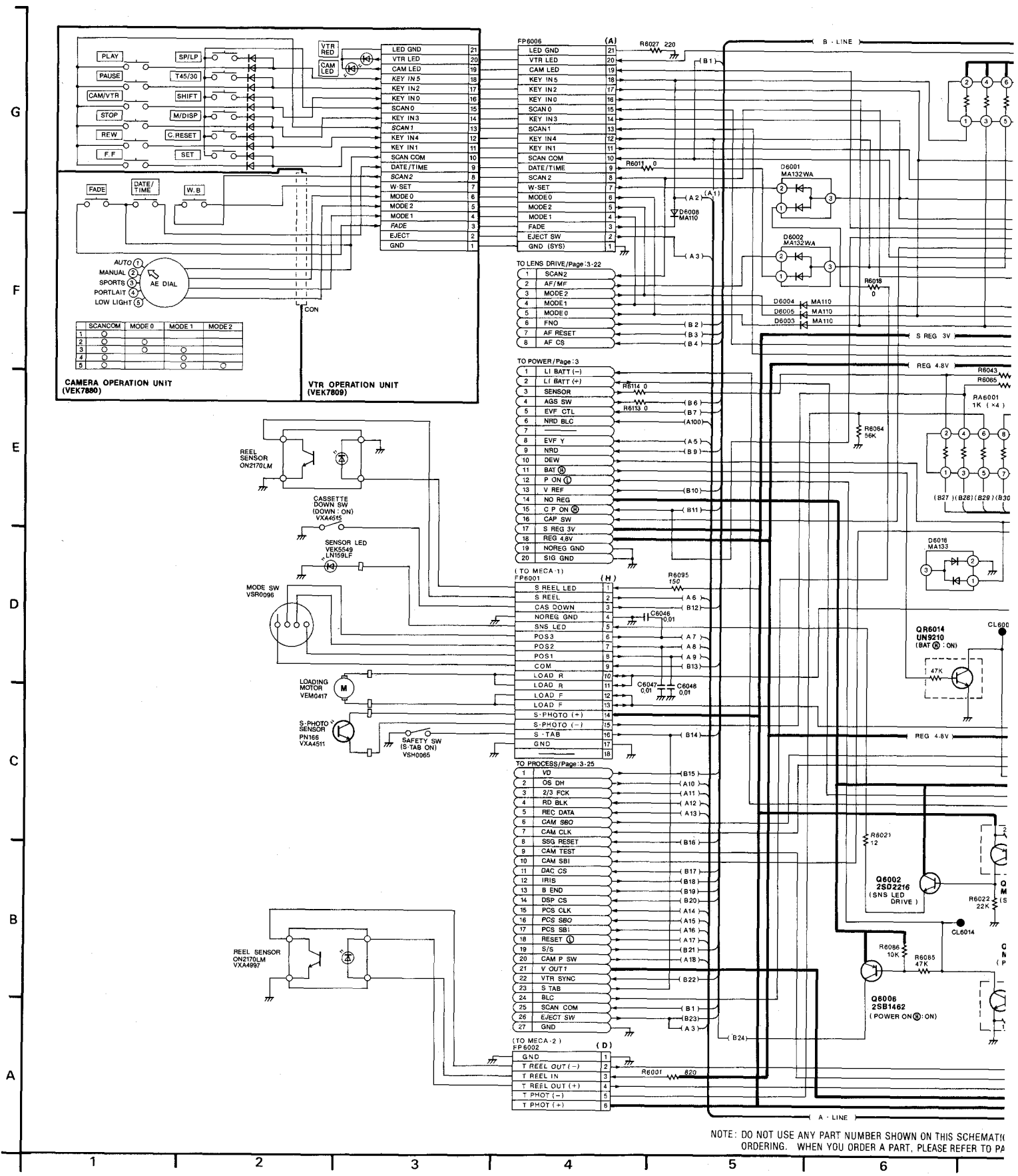
TO MIC
 Page: 25
 (A-4)

- (MUTE) CL4007
 TO SYSTEM CTL/
 Page: 11
- 1 EXT. CLK
 - 2 EXT. DATA
 - 3 A. MUTE
 - 4 LP (H)
 - 5 A. FADE
 - 6 EE (H)
 - 7 RECCTL
 - 8 PBCTL
 - 9 DREC (H)
 - 10 REMOCON
 - 11 SYS. GND
 - 12 TALLY

- TO LENS DRIVE/ Page: 3-22
- 1
 - 2
 - 3
 - 4 VREF (H)
 - 5 VREF (L)
 - 6 MF_VR1
 - 7 MF_VR2
 - 8 TROUT
 - 9 AF/MF
 - 10 SCAN2
 - 11 REG4.8V

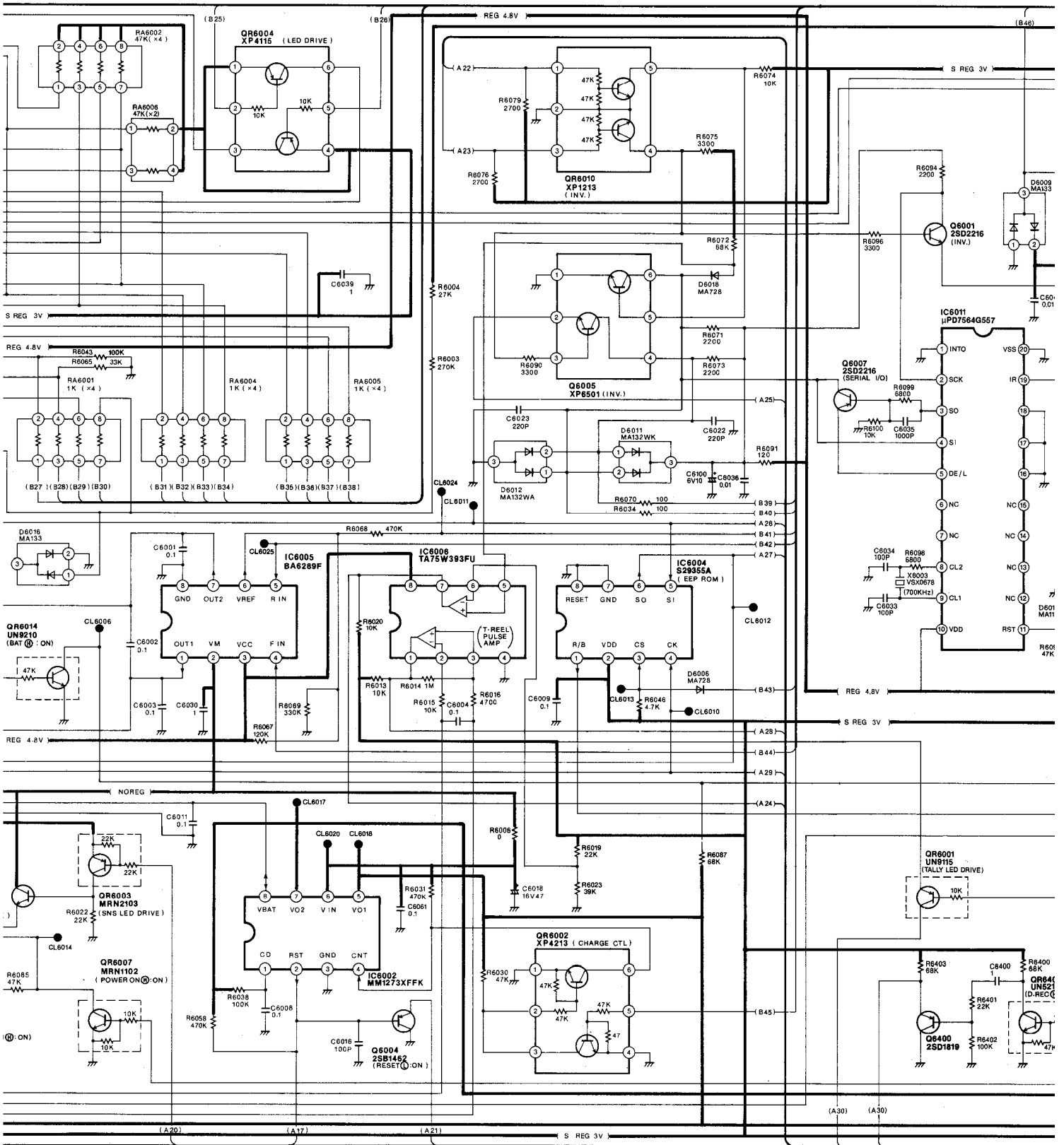
MEASUREMENT MODE OF THE DC VOLTAGE IN THE BRACKETS () ON THIS DIAGRAM IS RECORD MODE . (SP MODE)
 MEASUREMENT MODE OF THE DC VOLTAGE OUT OF THE BRACKETS ON THIS DIAGRAM IS CHECK MODE . (SP MODE)

4. SYSTEM CONTROL & SERVO SCHEMATIC DIAGRAM



NOTE: DO NOT USE ANY PART NUMBER SHOWN ON THIS SCHEMATIC ORDERING. WHEN YOU ORDER A PART, PLEASE REFER TO PA

CAPSTAN SERVO SPEED

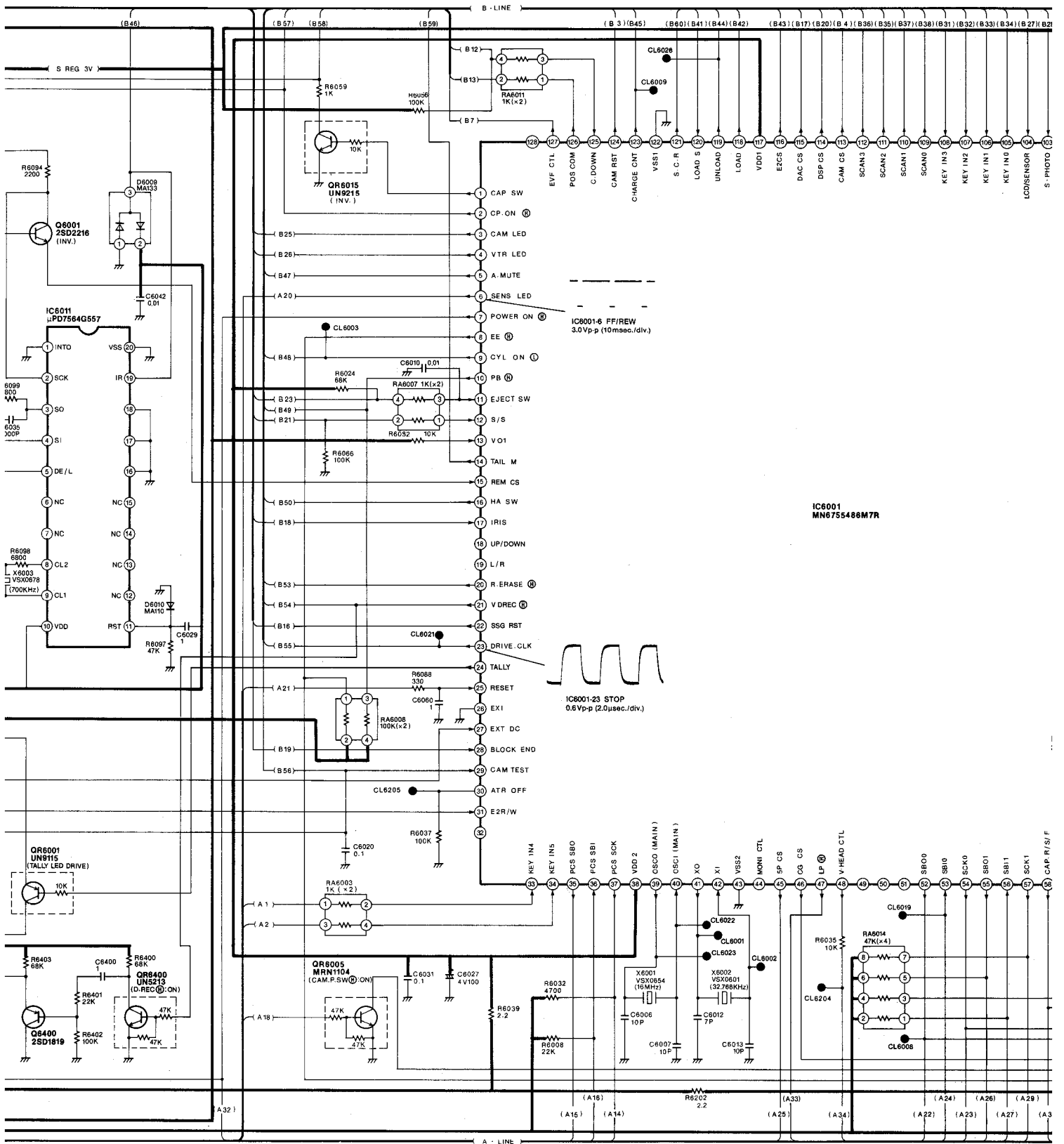


ON THIS SCHEMATIC DIAGRAM FOR
PLEASE REFER TO PARTS LIST.

ERVO SPEED LOOP

CAPSTAN SERVO PHASE LOOP

CYLINDER SERVO SPEE



12

13

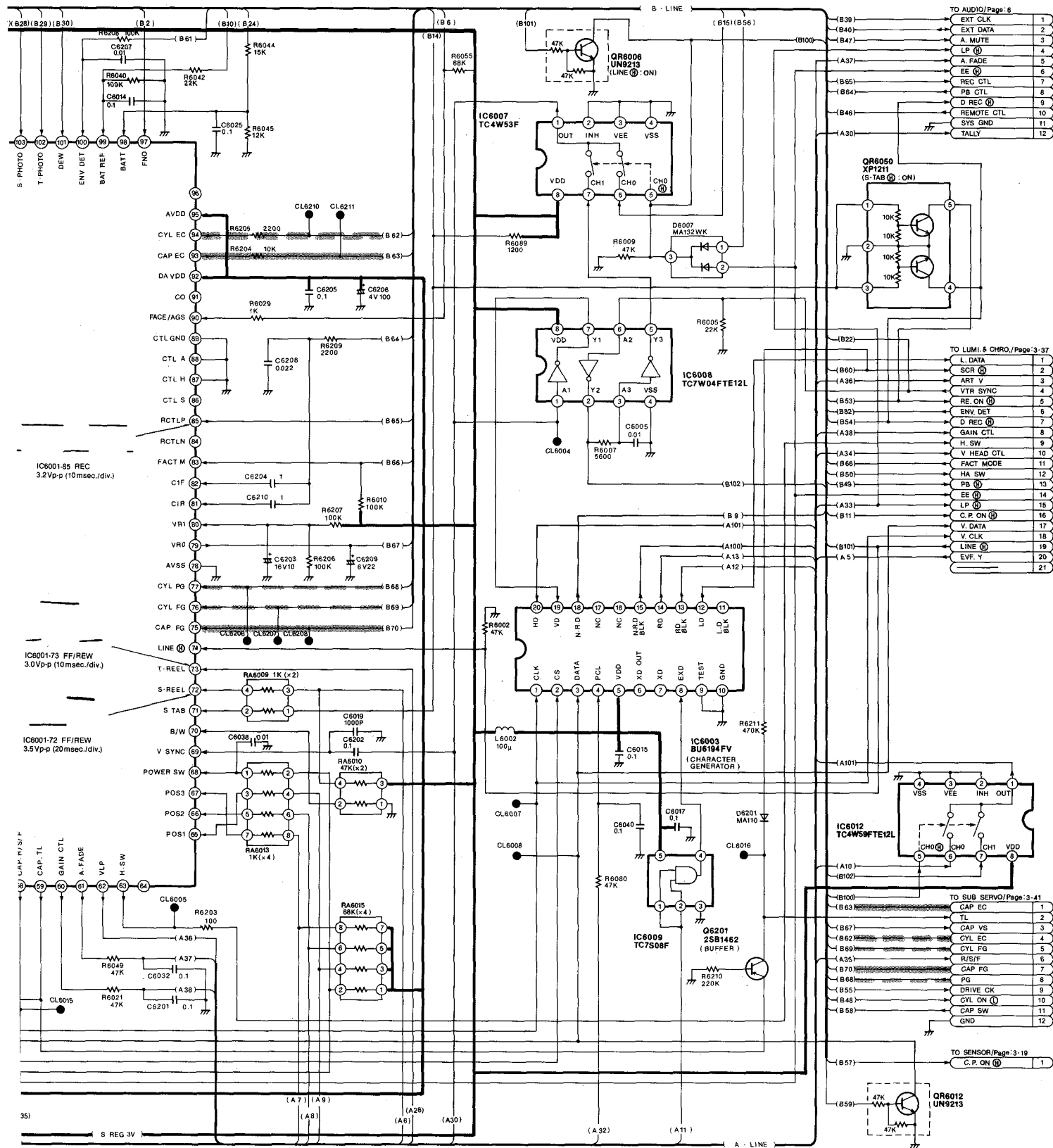
14

15

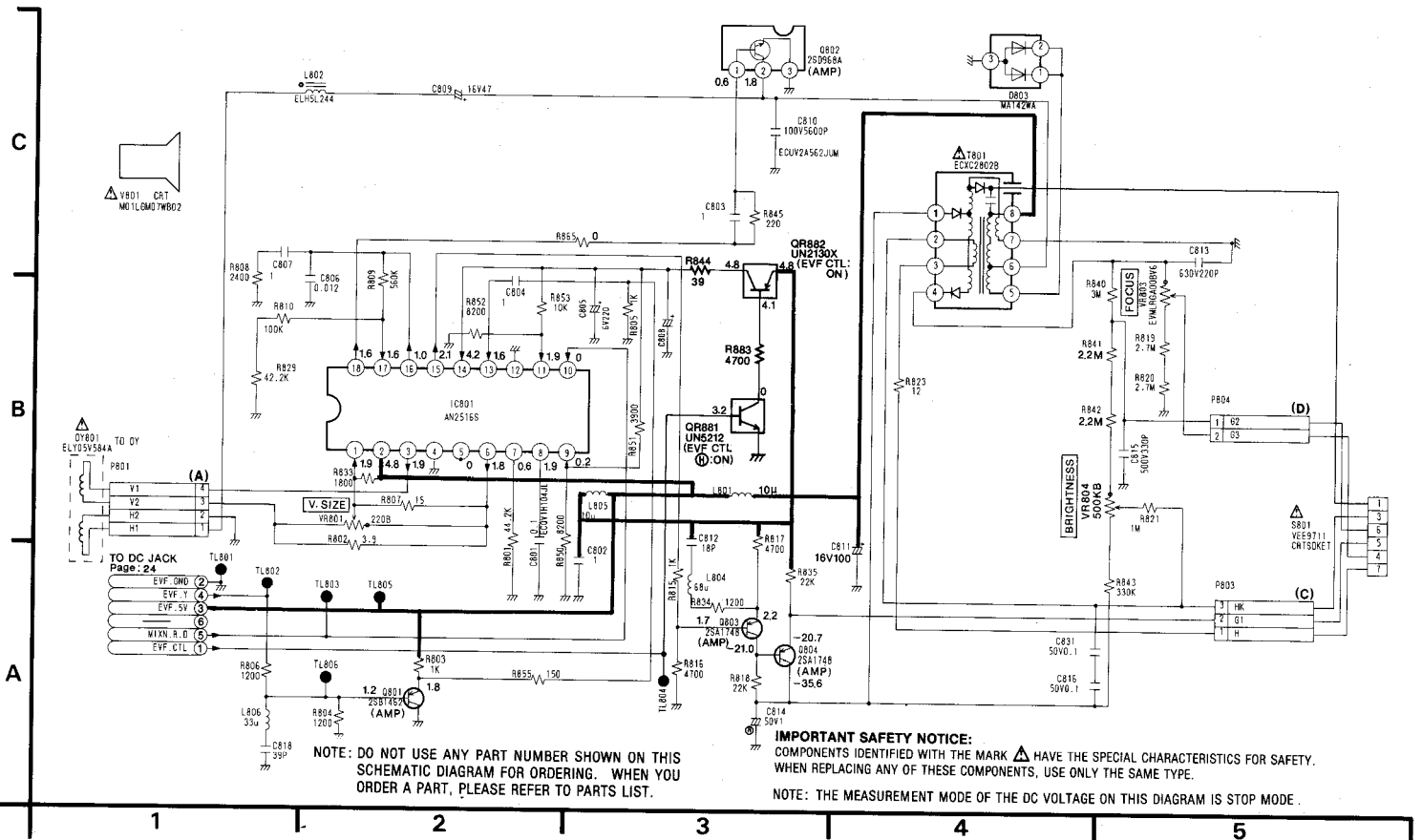
16

17

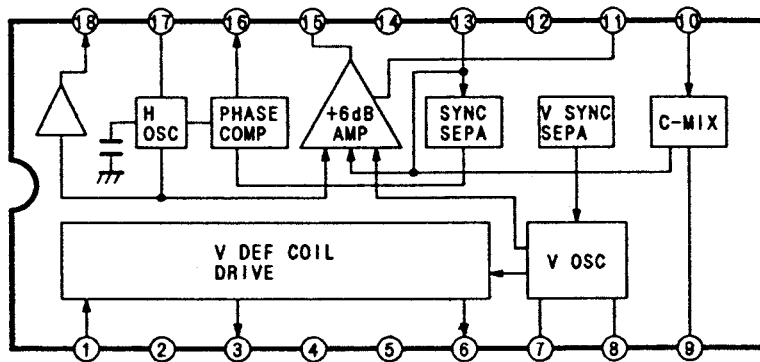
3ED LOOP CYLINDER SERVO PHASE LOOP



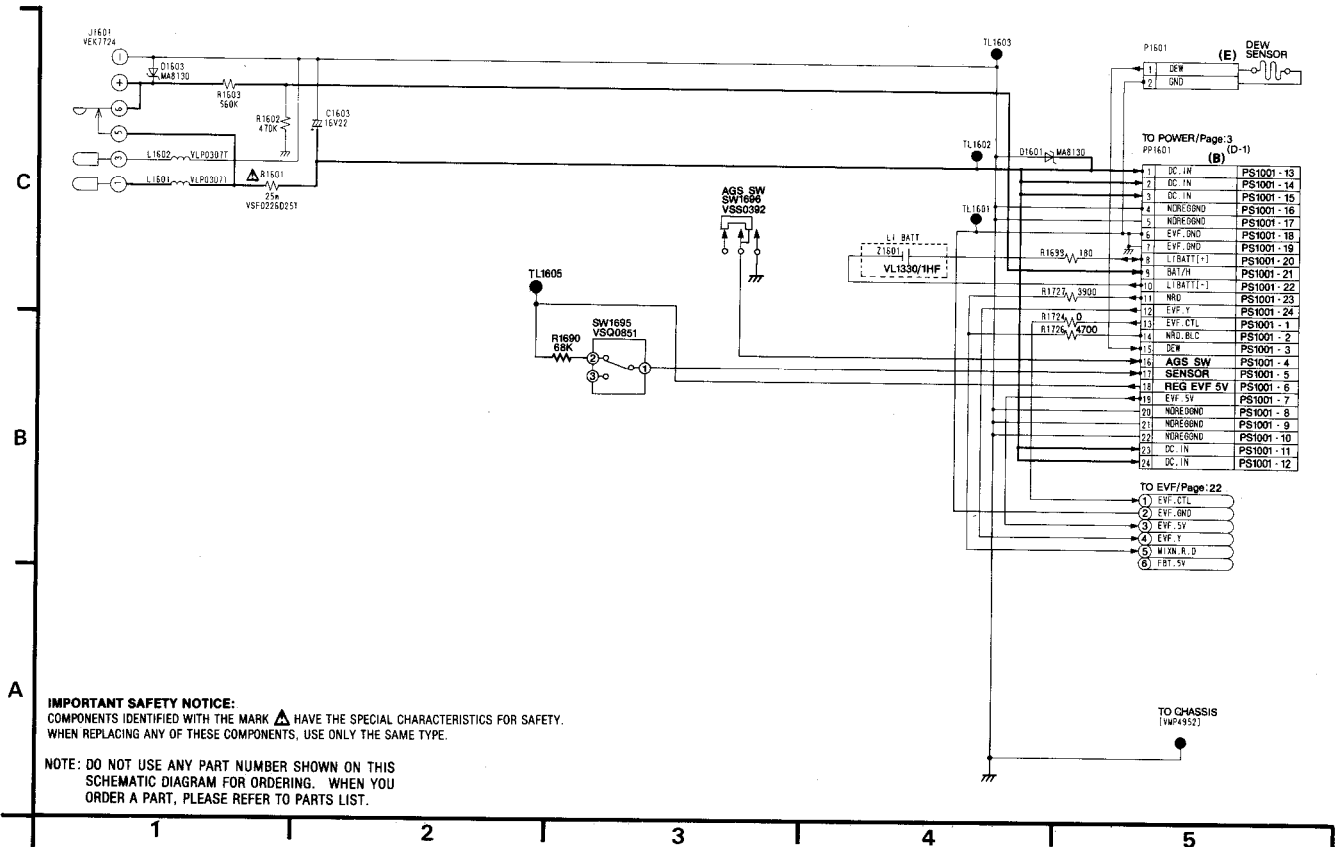
6. EVF SCHEMATIC DIAGRAM



EVF IC BLOCK
IC801 (AN2516S)
(LOCATION: B-2)



8. DC JACK SCHEMATIC DIAGRAM



9. MIC SCHEMATIC DIAGRAM

