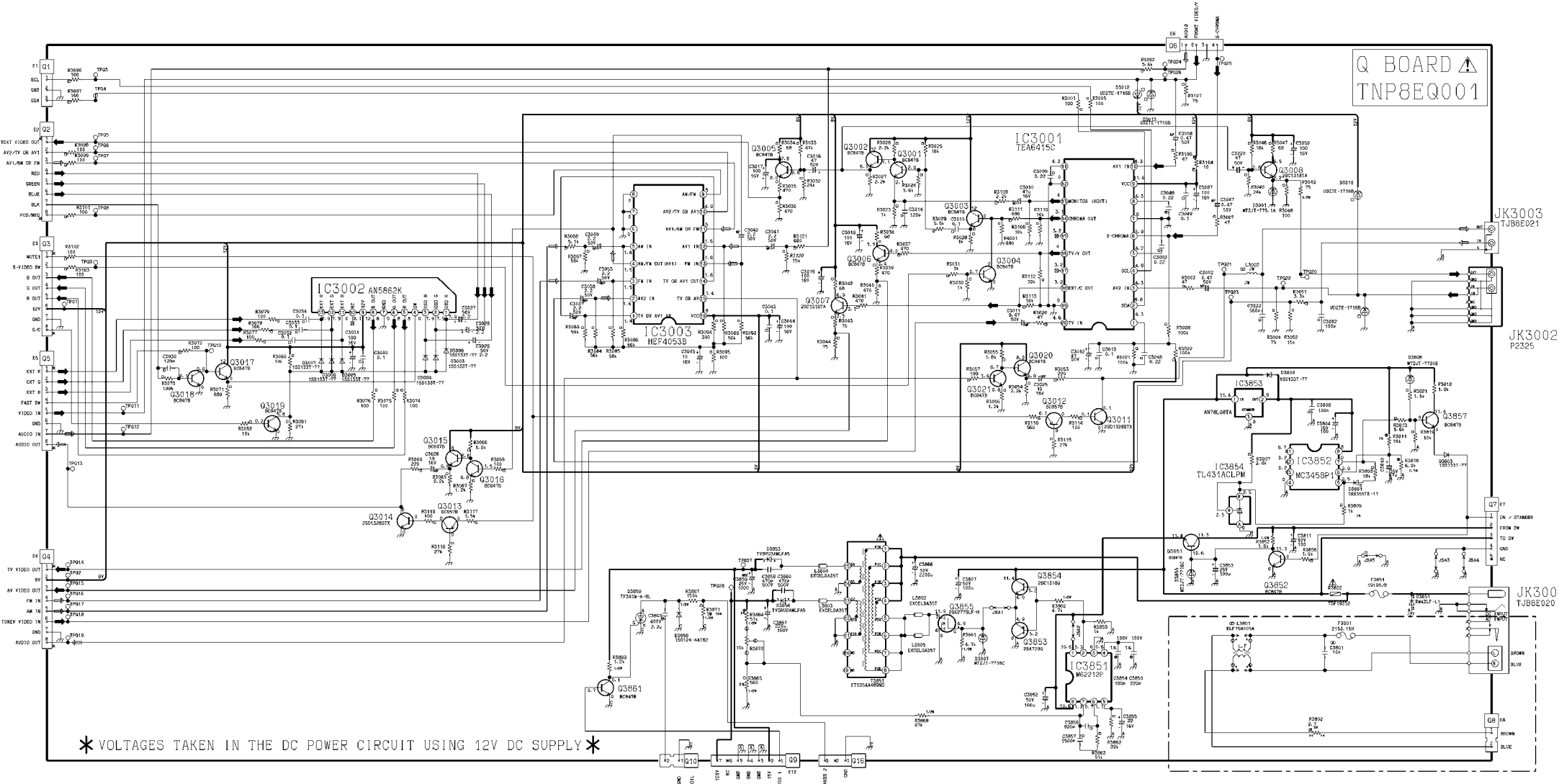


E BOARD
TNP8EE010

Q BOARD 
TNP8EQ01



JK3003
TJ86E021

JK3002
P2325

JK3001
TJ86E020

* VOLTAGES TAKEN IN THE DC POWER CIRCUIT USING 12V DC SUPPLY *

