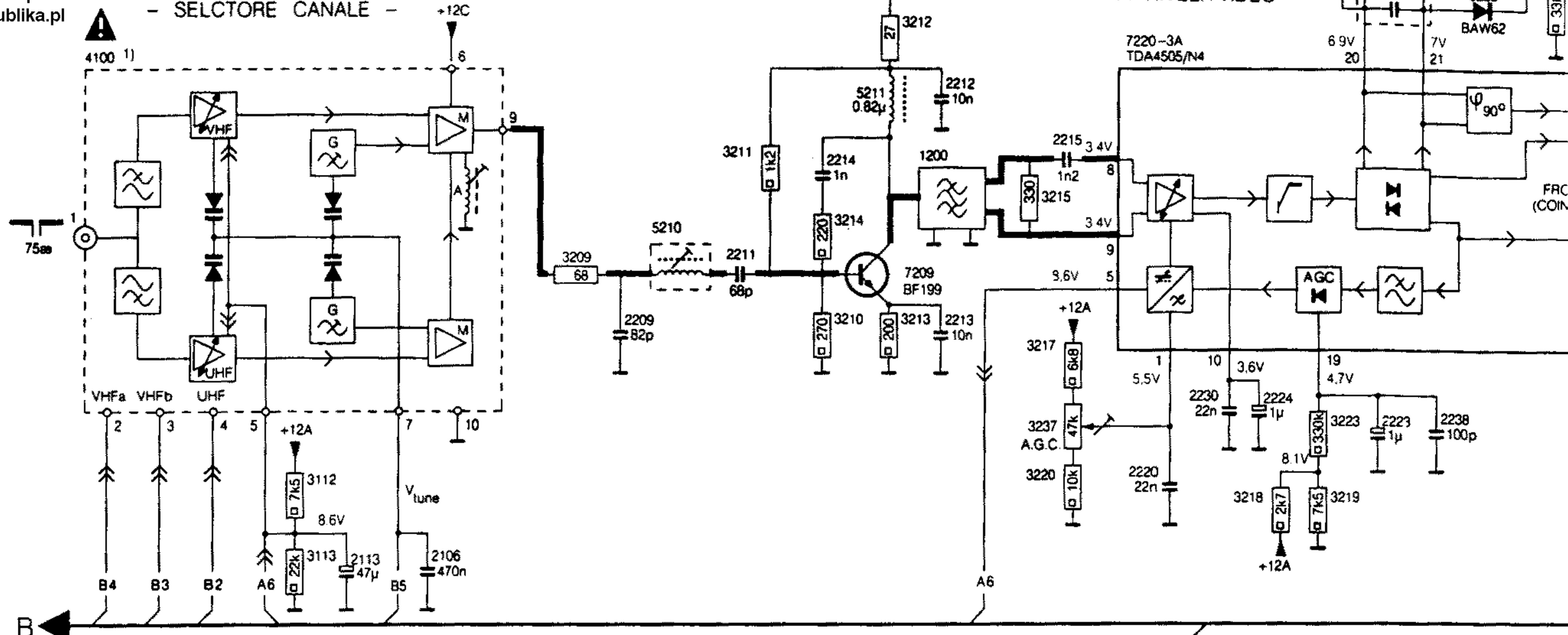


DIAGRAM-SCHALTBIKD-SCHEMA A

Philips 14CN 2001 chassis NC-3CR
 http://www.schematy-tv.prv.pl
 http://www.servicetv.republika.pl

- CHANNEL SELECTOR -
 - KANALWAELER -
 - SELETORE CANALE -

- IF+AGC+VIDEO -
 - ZF+DEM+VIDEO -
 - FI+RIVEL+VIDEO -



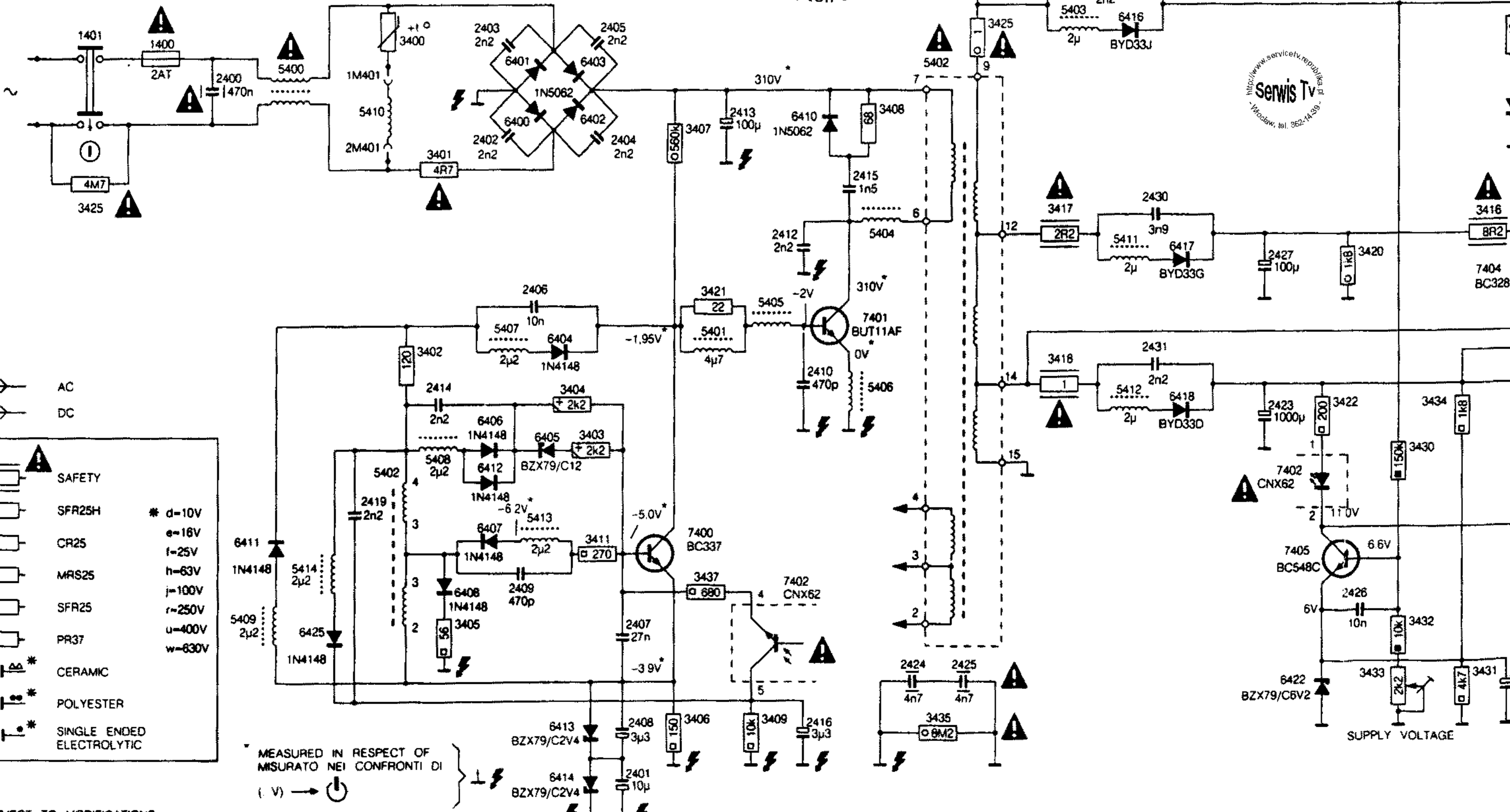
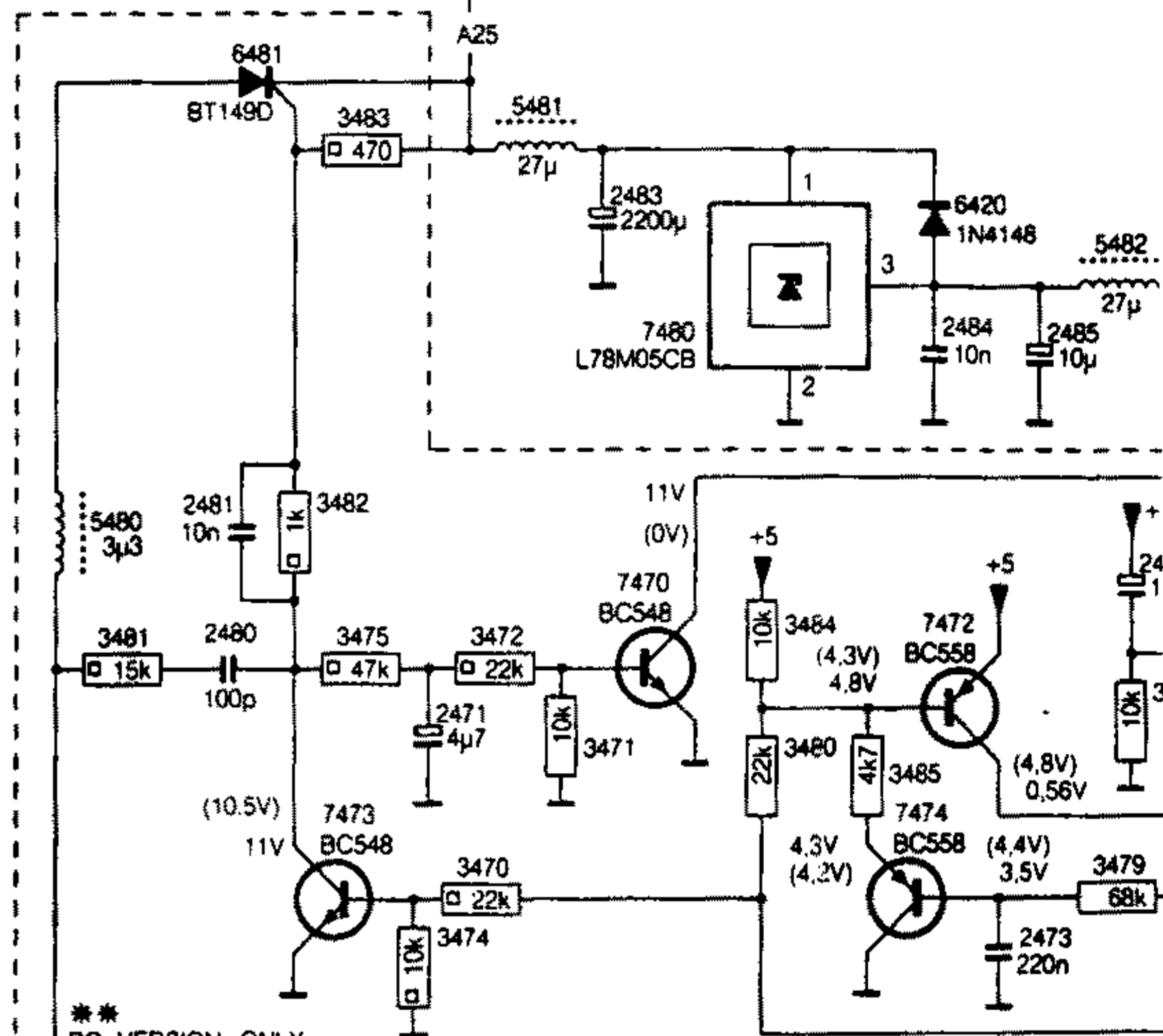
** RC - REMOTE CONTROL
 NRC - NON REMOTE CONTROL

ITEM	RC	NRC	1) FOR /05
2471	+	-	4100 → U411/IEC
2472	+	-	3111 → DELETED
2473	+	-	9301 → ADDED
2480	+	-	1600 → 6MHz
2481	+	-	1220 → 6MHz
3400	+	-	
3470	+	-	
3471	+	-	
3472	+	-	
3474	+	-	
3475	+	-	
3476	+	-	
3477	+	-	
3478	+	-	
3481	+	-	
3482	+	-	
3483	+	-	
3484	+	-	
3478	+	-	
5480	+	-	
6475	+	-	
6476	+	-	
6481	+	-	
7470	+	-	
7471	+	-	
7472	+	-	
7473	+	-	
7474	+	-	
9401	-	+	

1) FOR /05
 4100 → U411/IEC
 3111 → DELETED
 9301 → ADDED
 1600 → 6MHz
 1220 → 6MHz

- POWER SUPPLY -
 - SPEISUNG -
 - ALIMENTAZIONE -

http://www.servicetv.republika.pl
Serwis Tv
 Wrocław, tel. 362-14-39



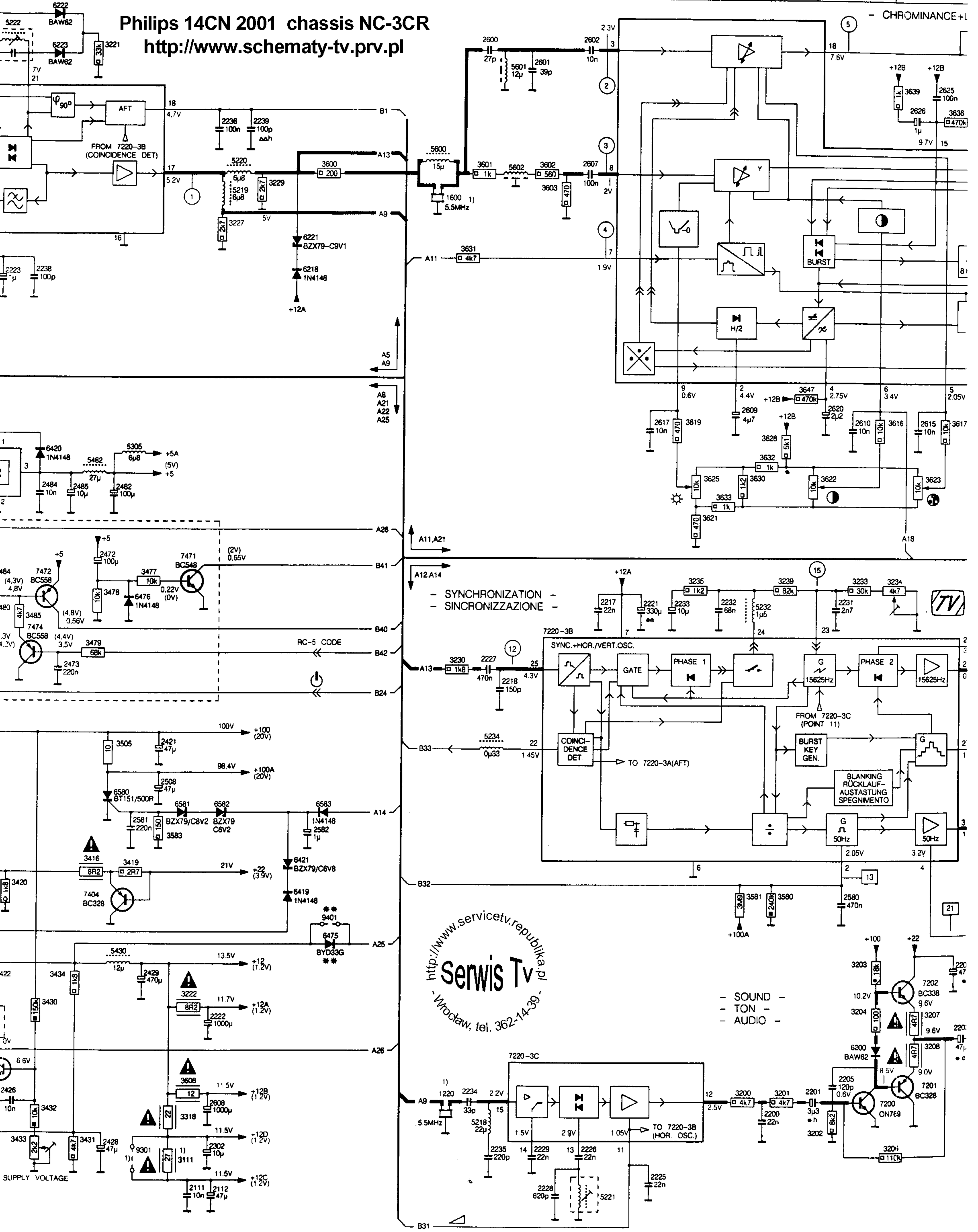
- AC
- DC
- SAFETY
- SFR25H * d=10V
- CR25 e=16V
- MRS25 t=25V
- SFR25 h=63V
- PR37 i=100V
- CERAMIC r=250V
- POLYESTER u=400V
- SINGLE ENDED ELECTROLYTIC w=630V

MEASURED IN RESPECT OF
 MISURATO NEI CONFRONTI DI
 (V) →

SUBJECT TO MODIFICATIONS

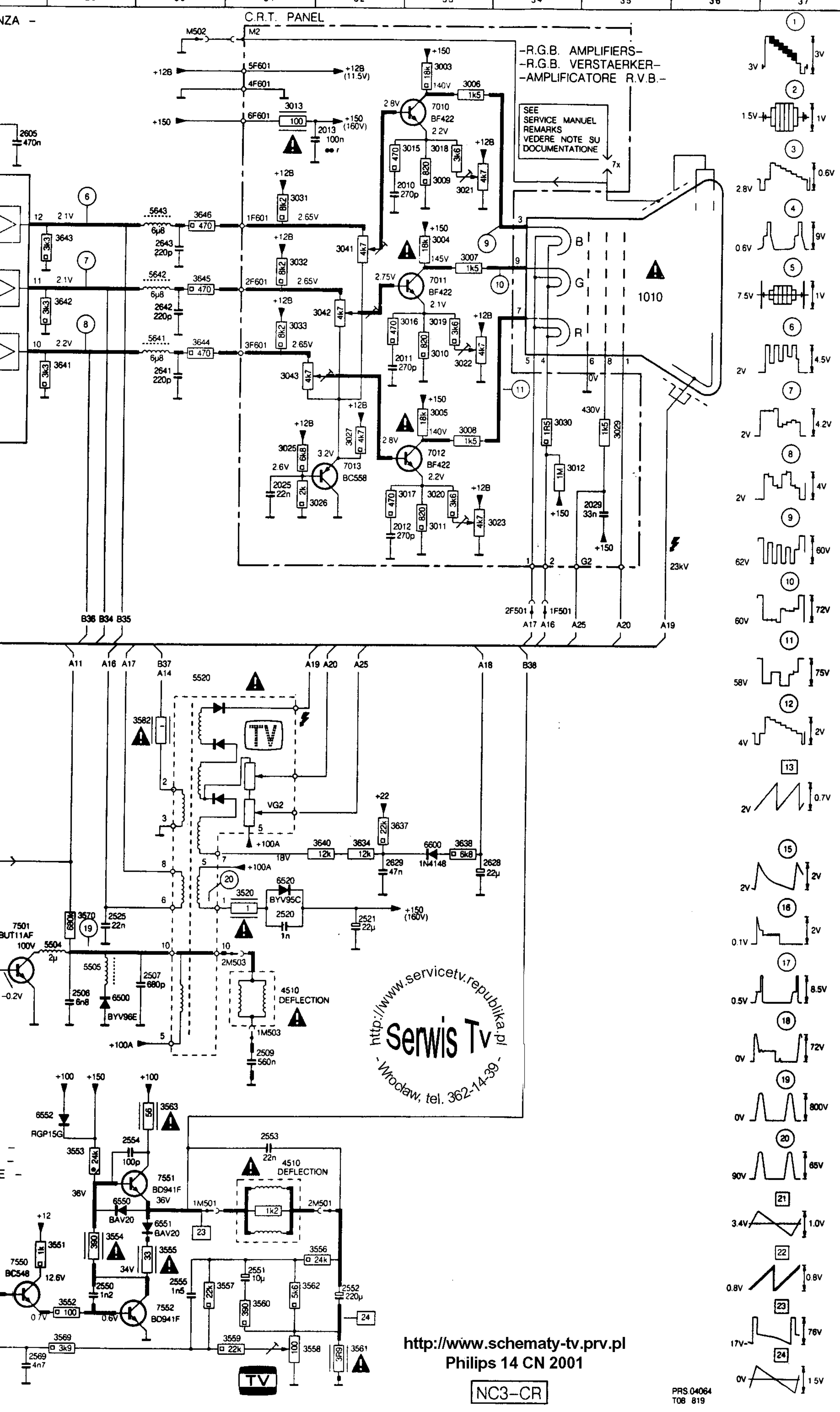
Philips 14CN 2001 chassis NC-3CR

<http://www.schematy-tv.prv.pl>



<http://www.servistv.republika.pl>
Serwis Tv
 - Wrocław, tel. 362-14-39 -

- SOUND -
 - TON -
 - AUDIO -



C.R.T. PANEL

-R.G.B. AMPLIFIERS-
-R.G.B. VERSTAERKER-
-AMPLIFICATORE R.V.B.-

SEE SERVICE MANUEL
REMARKS
VEDERE NOTE SU
DOCUMENTATIONE

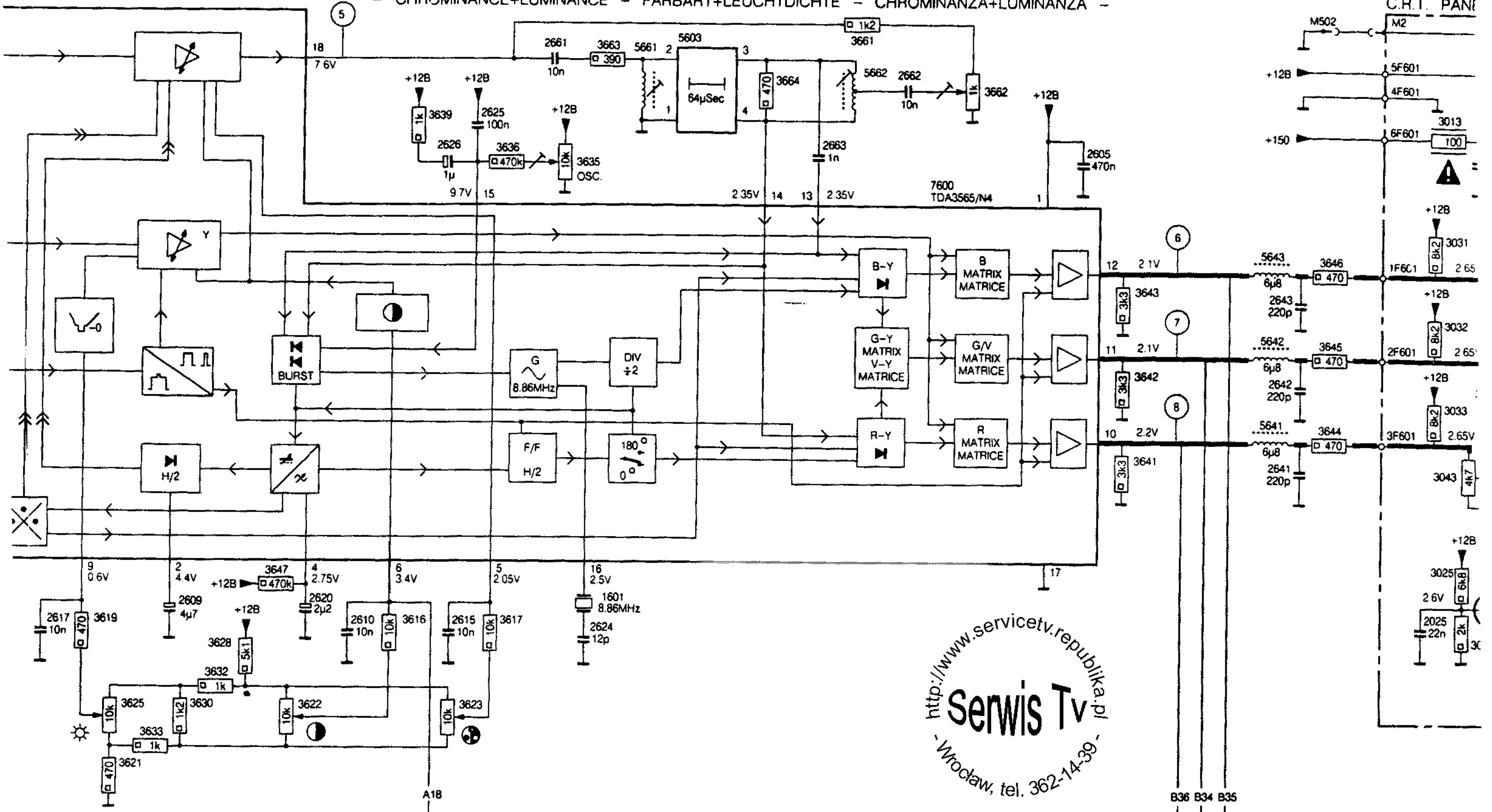
- 1 3V
- 2 1.5V
- 3 2.8V
- 4 0.6V
- 5 7.5V
- 6 2V
- 7 2V
- 8 2V
- 9 62V
- 10 60V
- 11 58V
- 12 4V
- 13 2V
- 15 2V
- 16 0.1V
- 17 0.5V
- 18 0V
- 19 0V
- 20 90V
- 21 3.4V
- 22 0.8V
- 23 17V
- 24 0V

<http://www.servistv.republika.pl>
Serwis Tv
-Wroclaw, tel. 362-14-39-

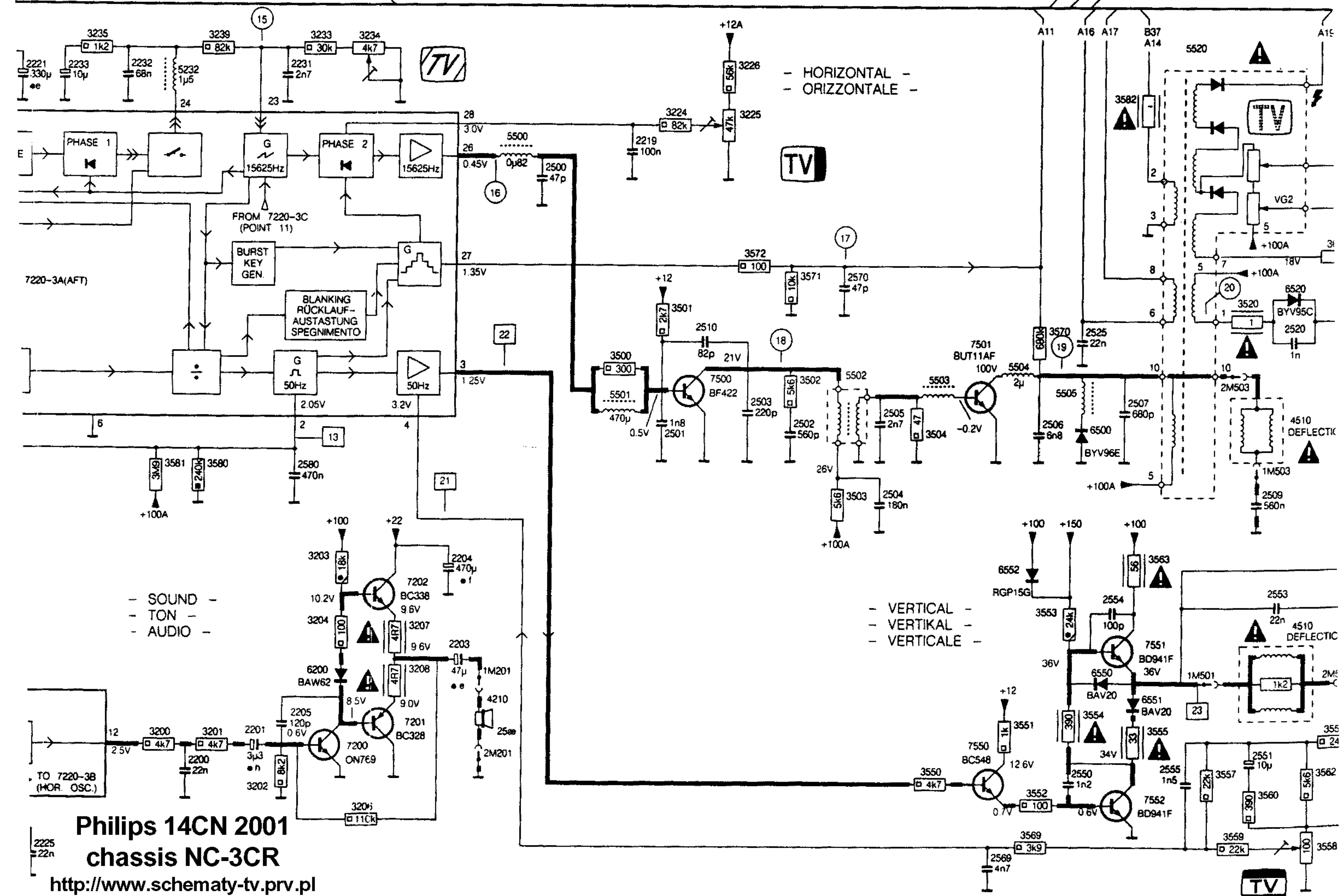
<http://www.schematy-tv.prv.pl>
Philips 14 CN 2001

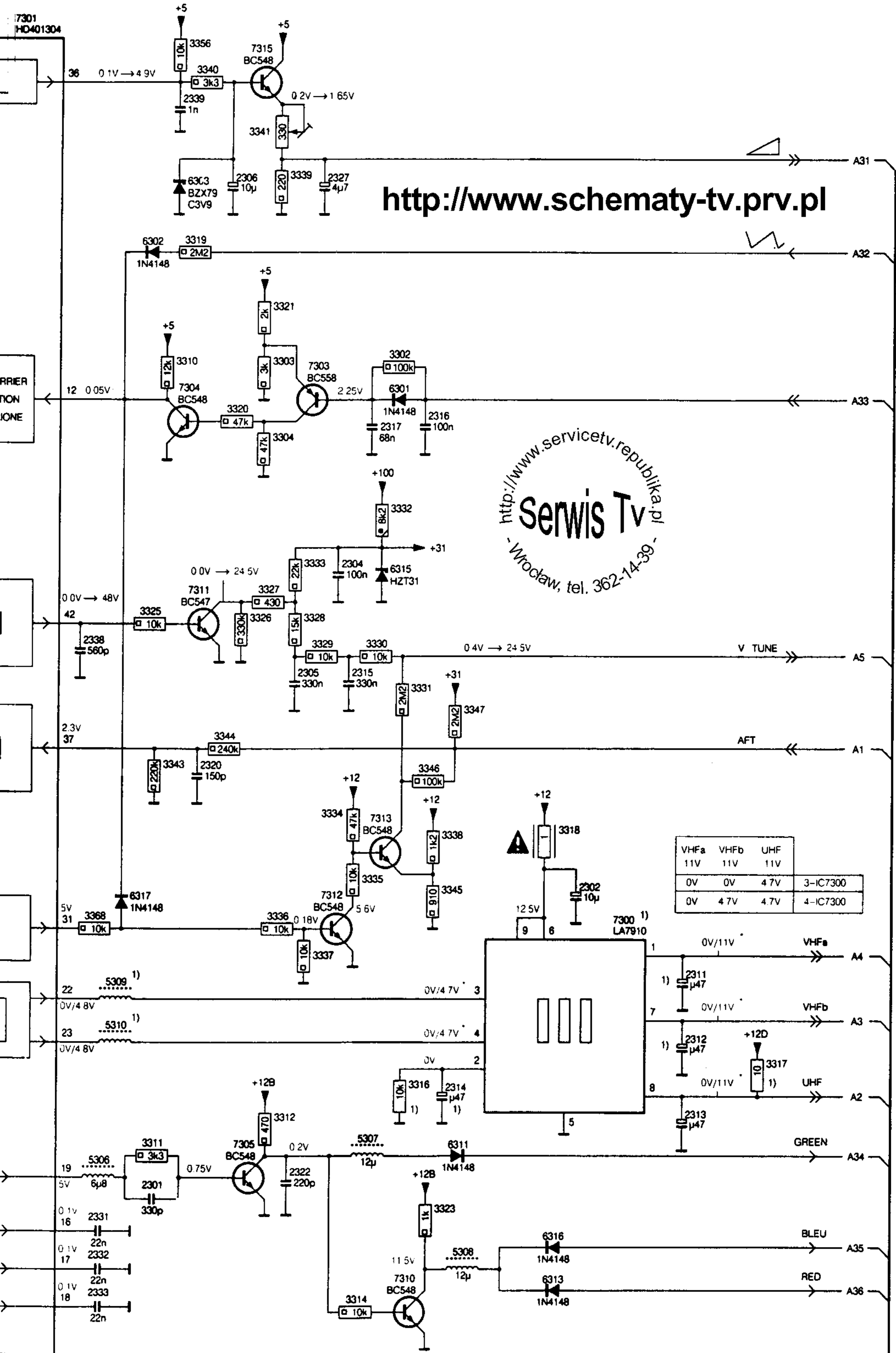
NC3-CR

PRS.04064
T08 819



<http://www.servistv.republika.pl>
Serwis Tv
 - Wrocław, tel. 362-14-39 -





<http://www.schematy-tv.prv.pl>

<http://www.servicetv.republika.pl>
Serwis Tv
 - Wrocław, tel. 362-14-39 -

Philips 14 CN 2001 chassis NC-3CR