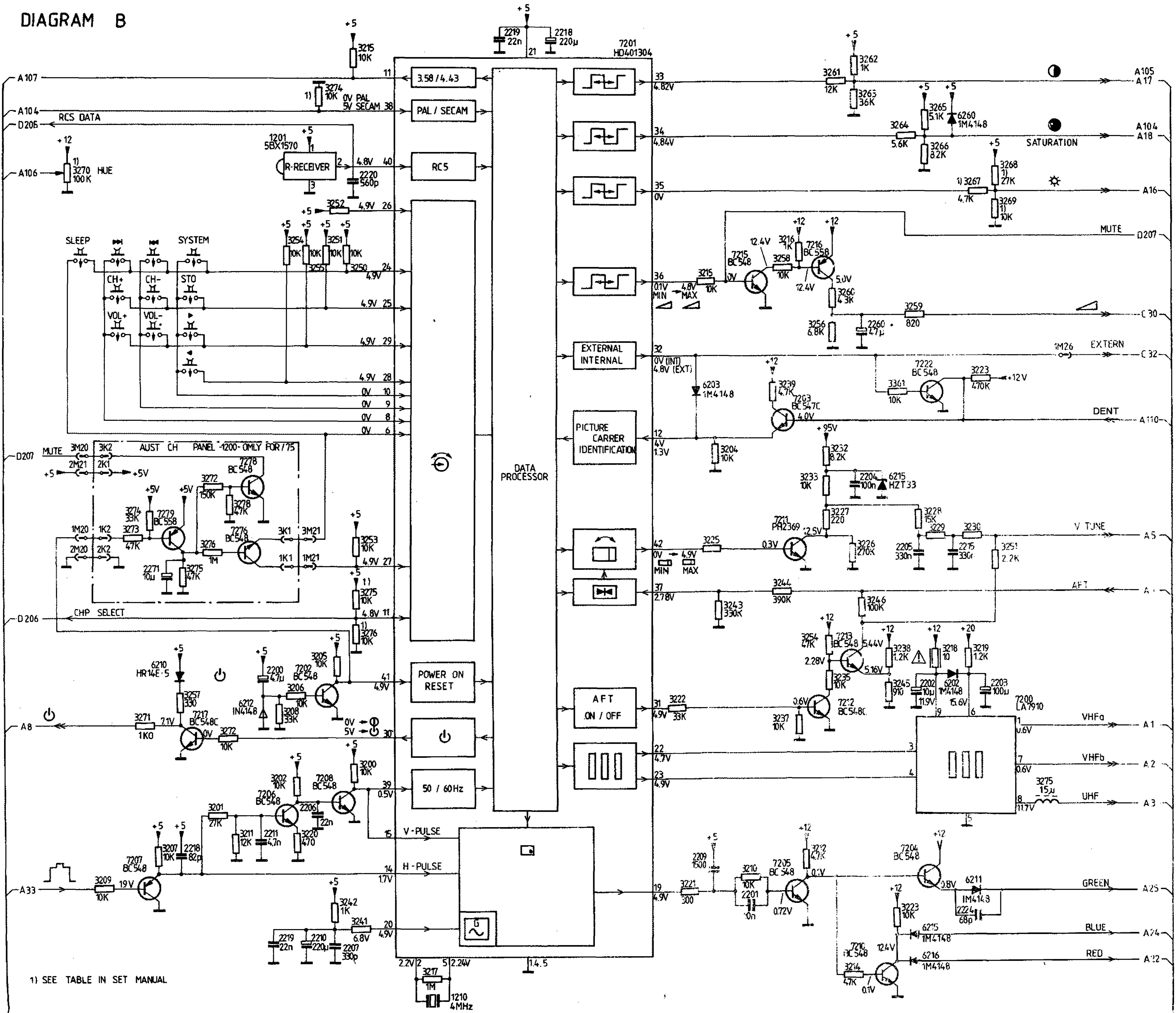


DIAGRAM B



1) SEE TABLE IN SET MANUAL

