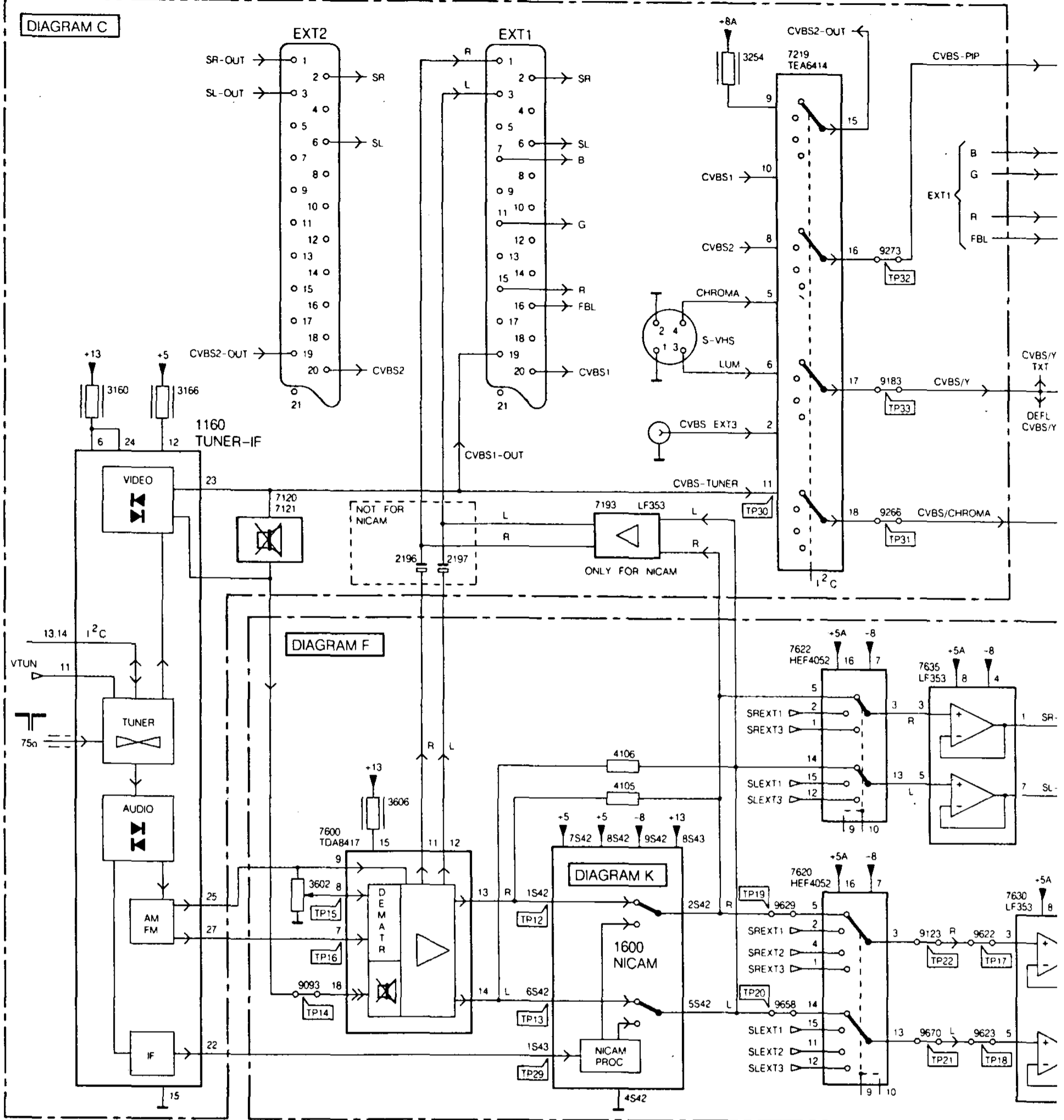
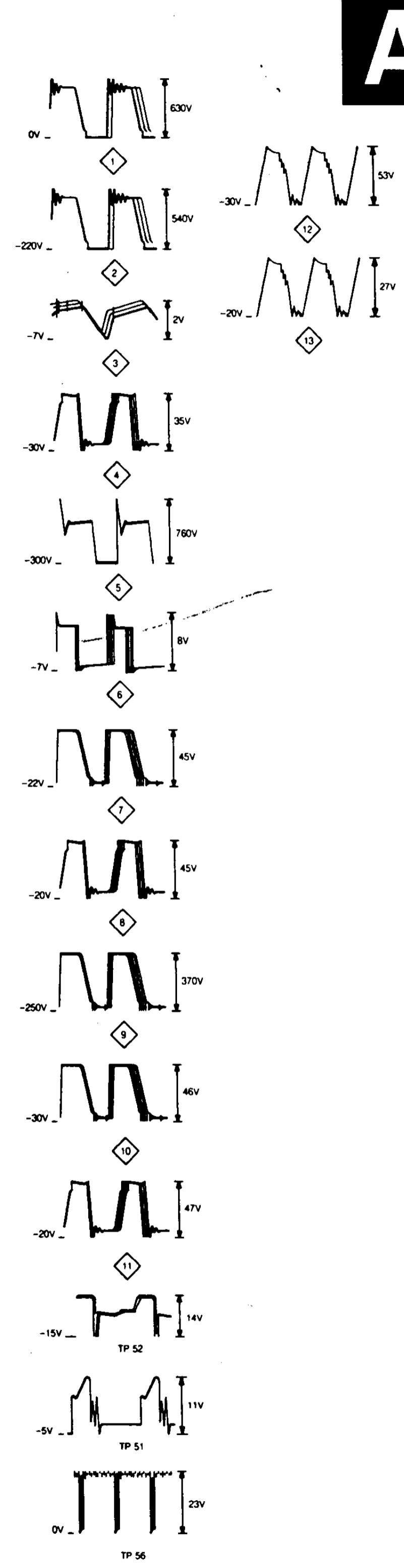
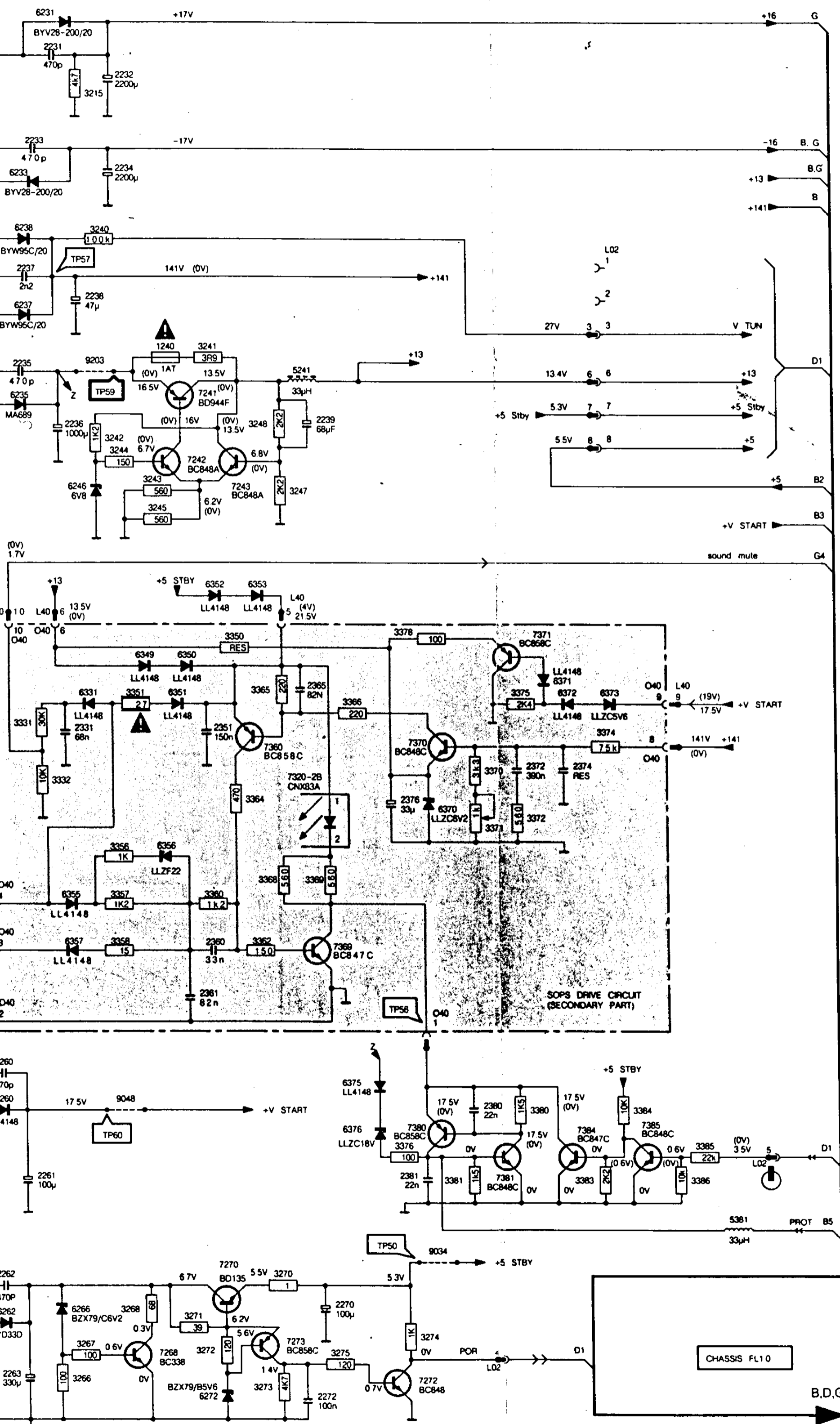


BLOCKDIAGRAM FL1.0







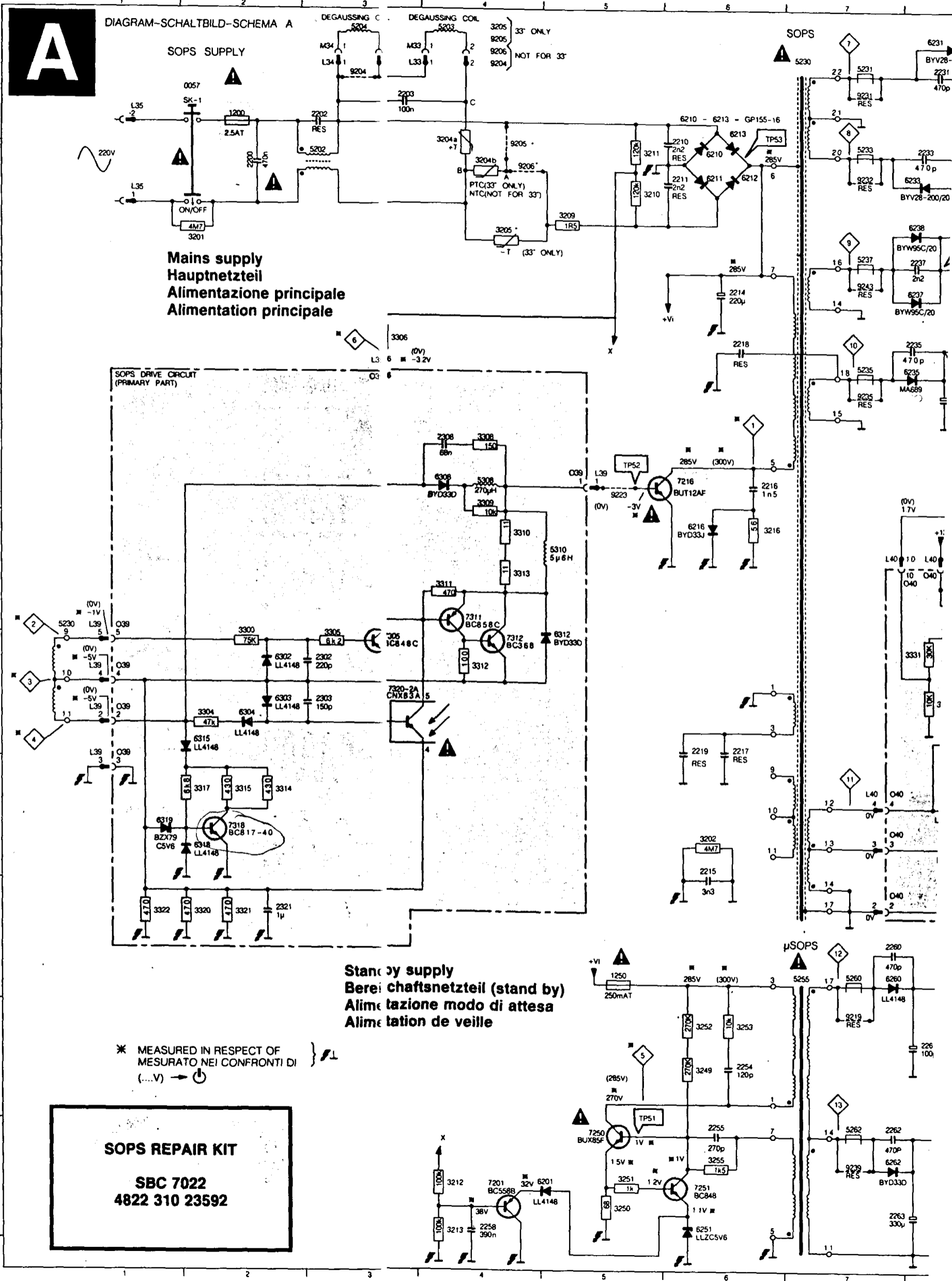
CHASSIS FL1.0

B,D,G

ply

# Stromversorgung

# L'alimentation



# A

DIAGRAM-SCHALT-BILD-SCHEMA A

SOPS SUPPLY

Mains supply  
Hauptnetzteil  
Alimentazione principale  
Alimentation principale

SOPS DRIVE CIRCUIT  
(PRIMARY PART)

Standby supply  
Bereitchaftsnetzteil (stand by)  
Alimentazione modo di attesa  
Alimentation de veille

\* MEASURED IN RESPECT OF  
MESURATO NEI CONFRONTI DI  
(...V) →

**SOPS REPAIR KIT**

**SBC 7022**  
**4822 310 23592**