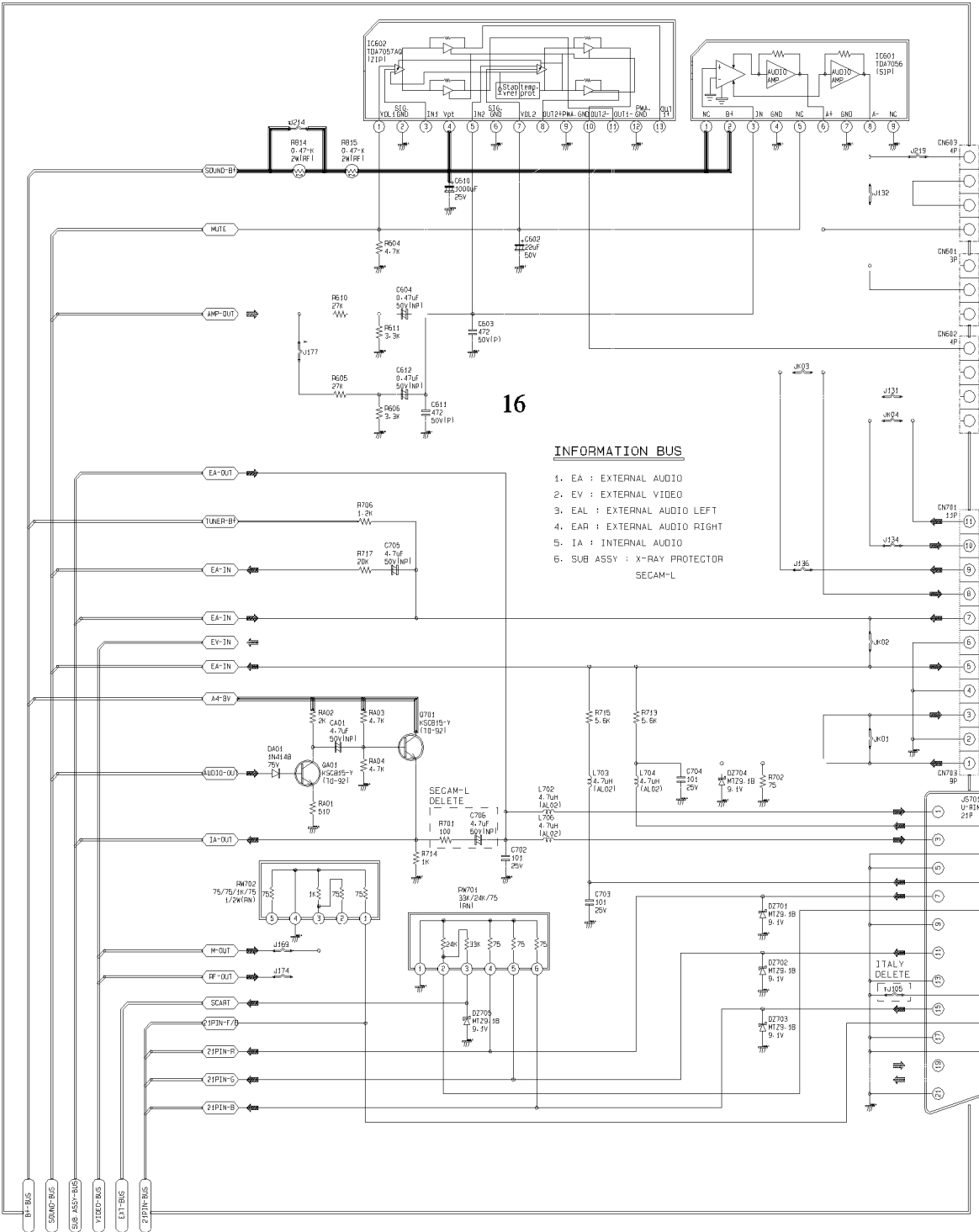


- HDMI-BUS
- TUNER-BUS
- I1C-BUS
- SA-BUS
- EXT-BUS
- TTX-BUS
- OSD-BUS
- 21-PIN-BUS

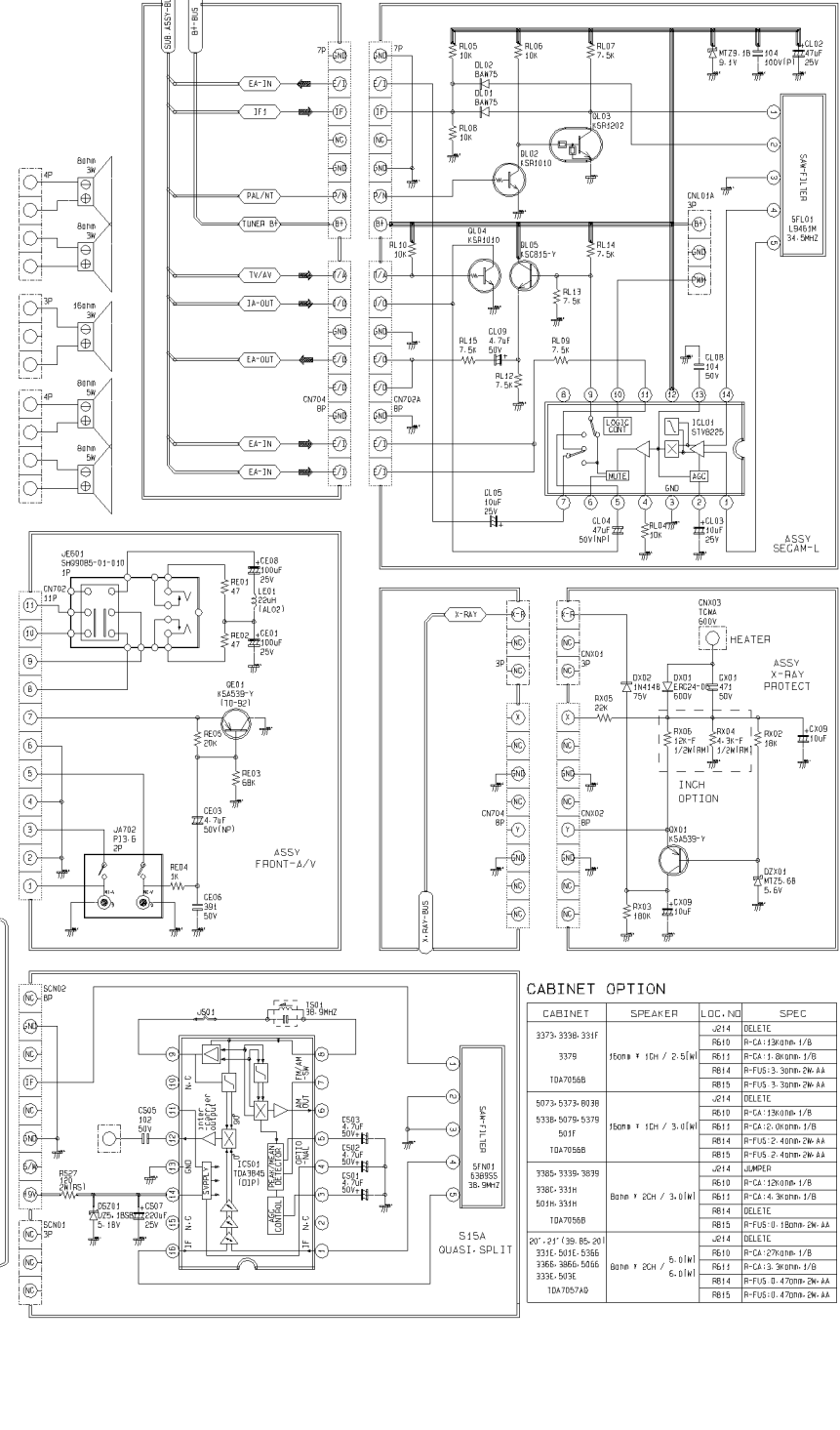
- VERT-BUS
- HORT-BUS
- SOUND-BUS
- ABL-BUS
- RGB-BUS
- VIDEO-BUS



16

**INFORMATION BUS**

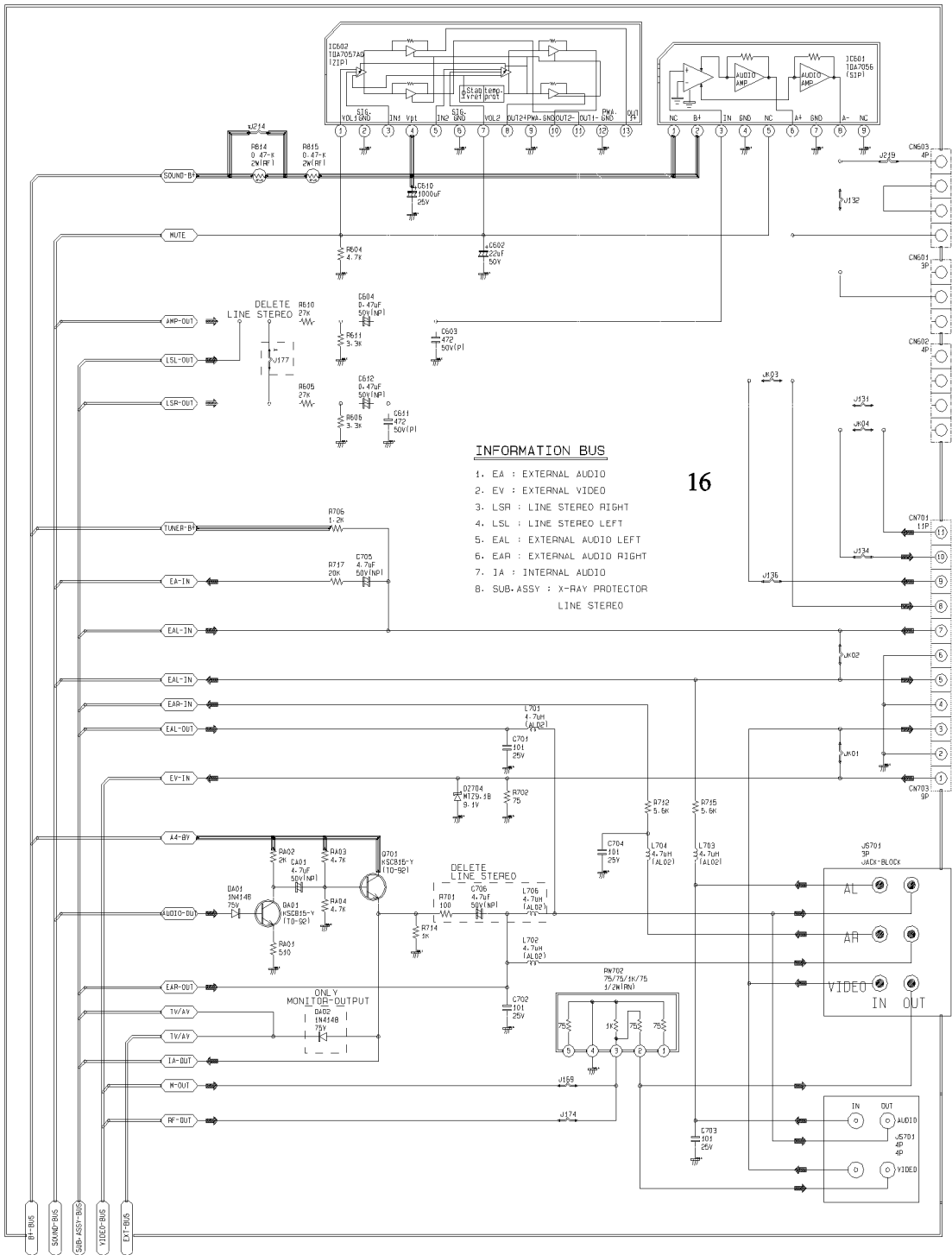
1. EA : EXTERNAL AUDIO
2. EV : EXTERNAL VIDEO
3. EAL : EXTERNAL AUDIO LEFT
4. EAR : EXTERNAL AUDIO RIGHT
5. IA : INTERNAL AUDIO
6. SUB ASSY : X-RAY PROTECTOR SECAM-L



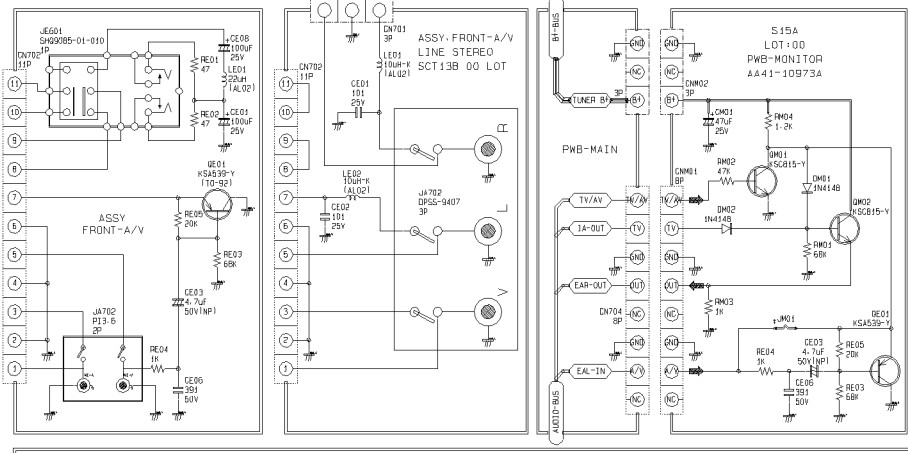
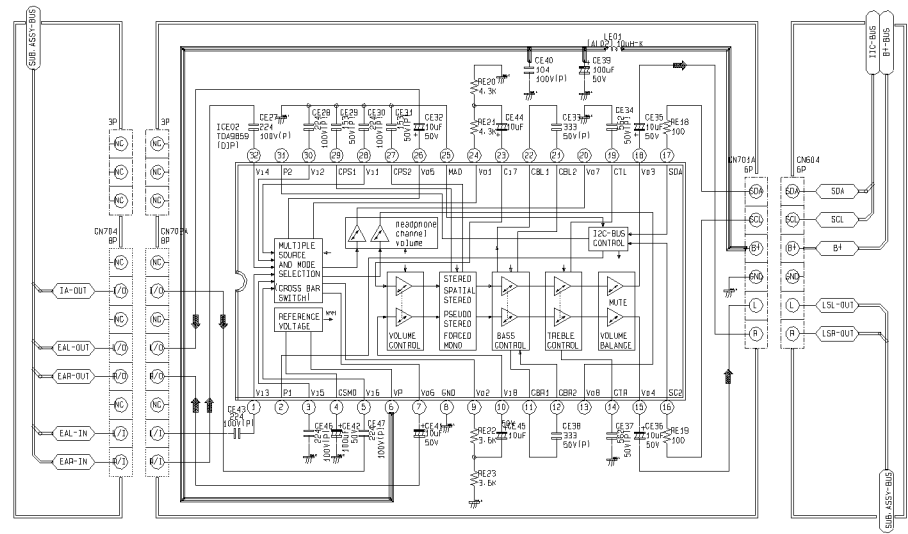
**CABINET OPTION**

CABINET	SPEAKER	LOC. NO	SPEC
3373-3336-331F		J214	DELETE
3379	150mm x 100mm / 2-5W	R610	R-CA: 1300ohm-1/8
10470568		R611	R-CA: 1.8kohm-1/8
		R614	R-FUS: 3.30ohm-2W-AA
		R615	R-FUS: 3.30ohm-2W-AA
5073-5373-8038		C214	DELETE
5338-5079-5379	150mm x 100mm / 3-0.1W	R610	R-CA: 1300ohm-1/8
501F		R611	R-CA: 2.40ohm-1/8
10470568		R614	R-FUS: 2.40ohm-2W-AA
		R615	R-FUS: 2.40ohm-2W-AA
3365-3339-3839		J214	JUMPER
336E-333H	80mm x 20mm / 3-0.1W	R610	R-CA: 1200ohm-1/8
501H-333H		R611	R-CA: 4.3kohm-1/8
10470568		R614	DELETE
20' 21' (39.85-20)		R615	R-FUS: 0.18ohm-2W-AA
331E-501E-5366		C214	DELETE
336E-386E-5056	80mm x 20mm / 5-0.1W	R610	R-CA: 2700ohm-1/8
333E-503E		R611	R-CA: 3.9kohm-1/8
104705749		R614	R-FUS: 0.470ohm-2W-AA
		R615	R-FUS: 0.470ohm-2W-AA

# 11-3 SOUND, EXT-A/V (Middle East / Asia)



16





# 11-5 MICOM ( TTX )

