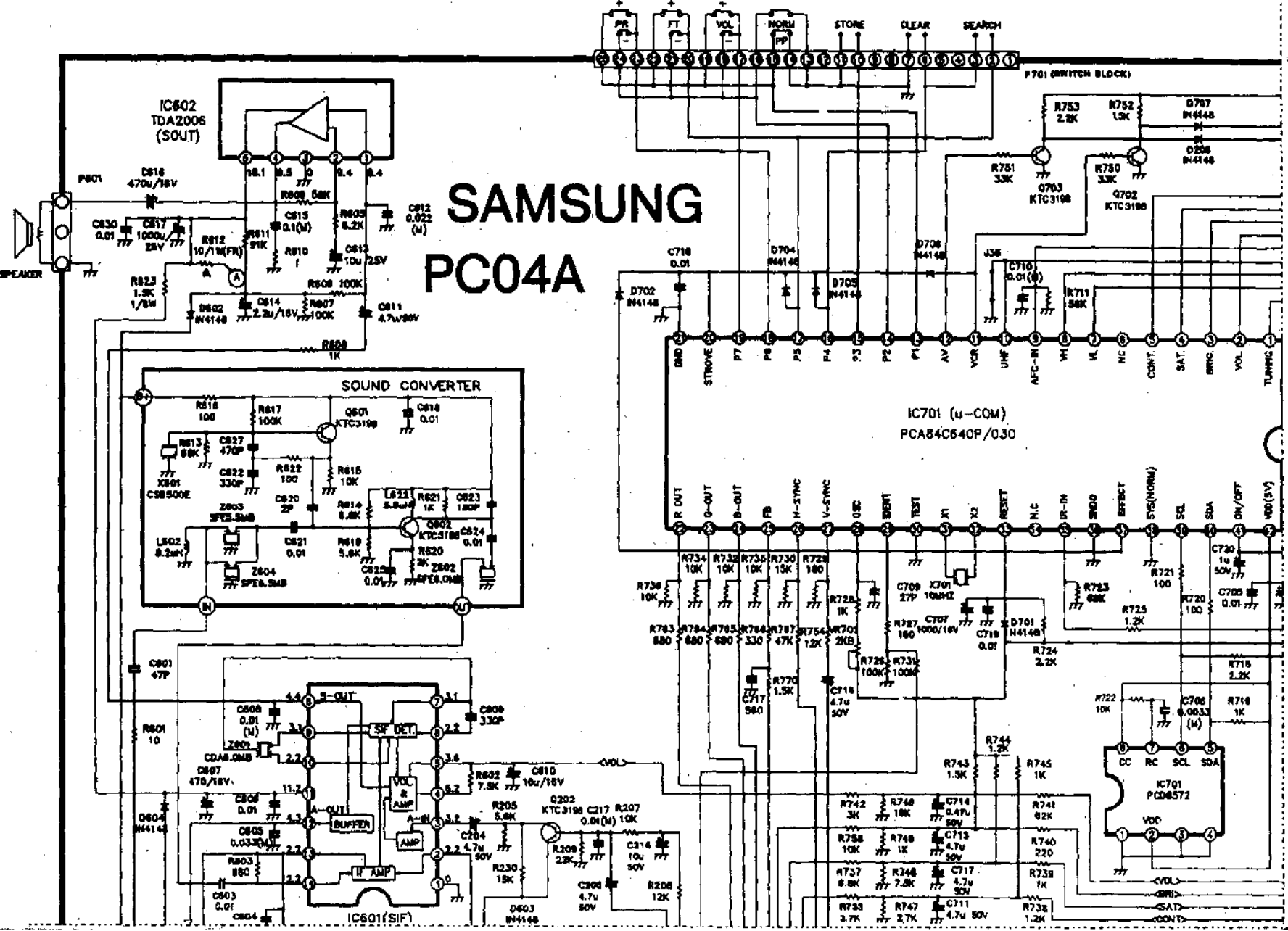
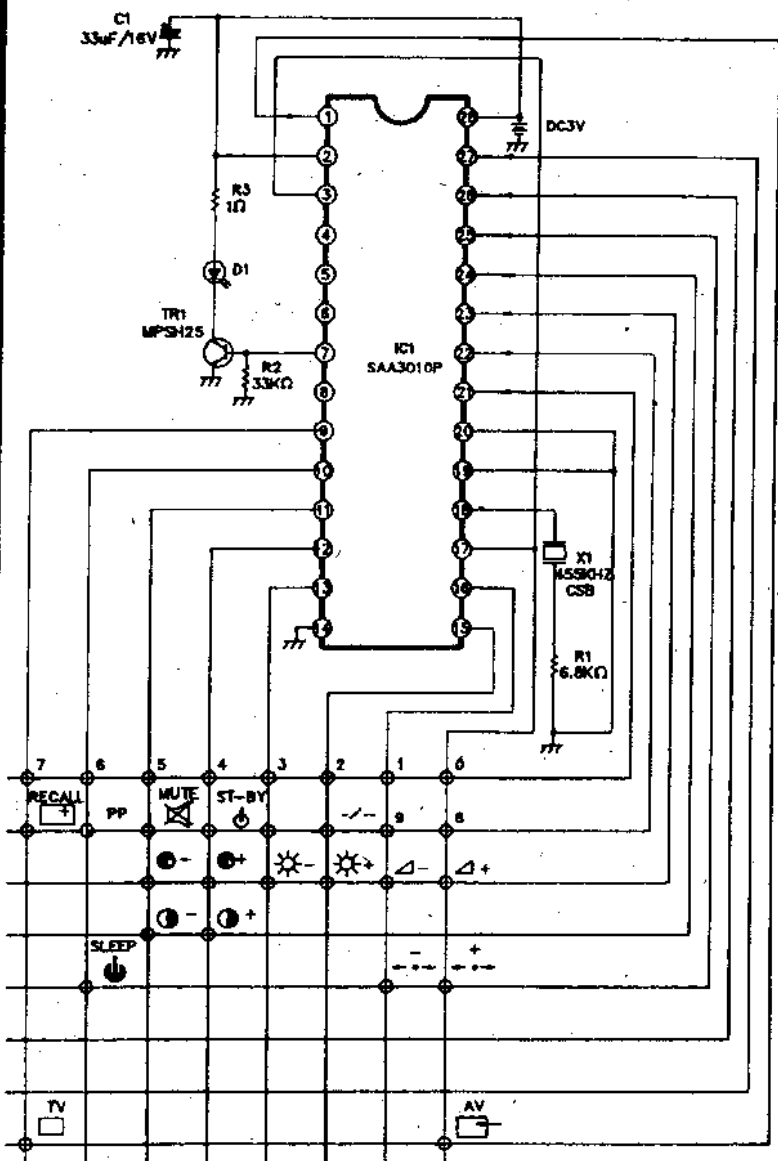
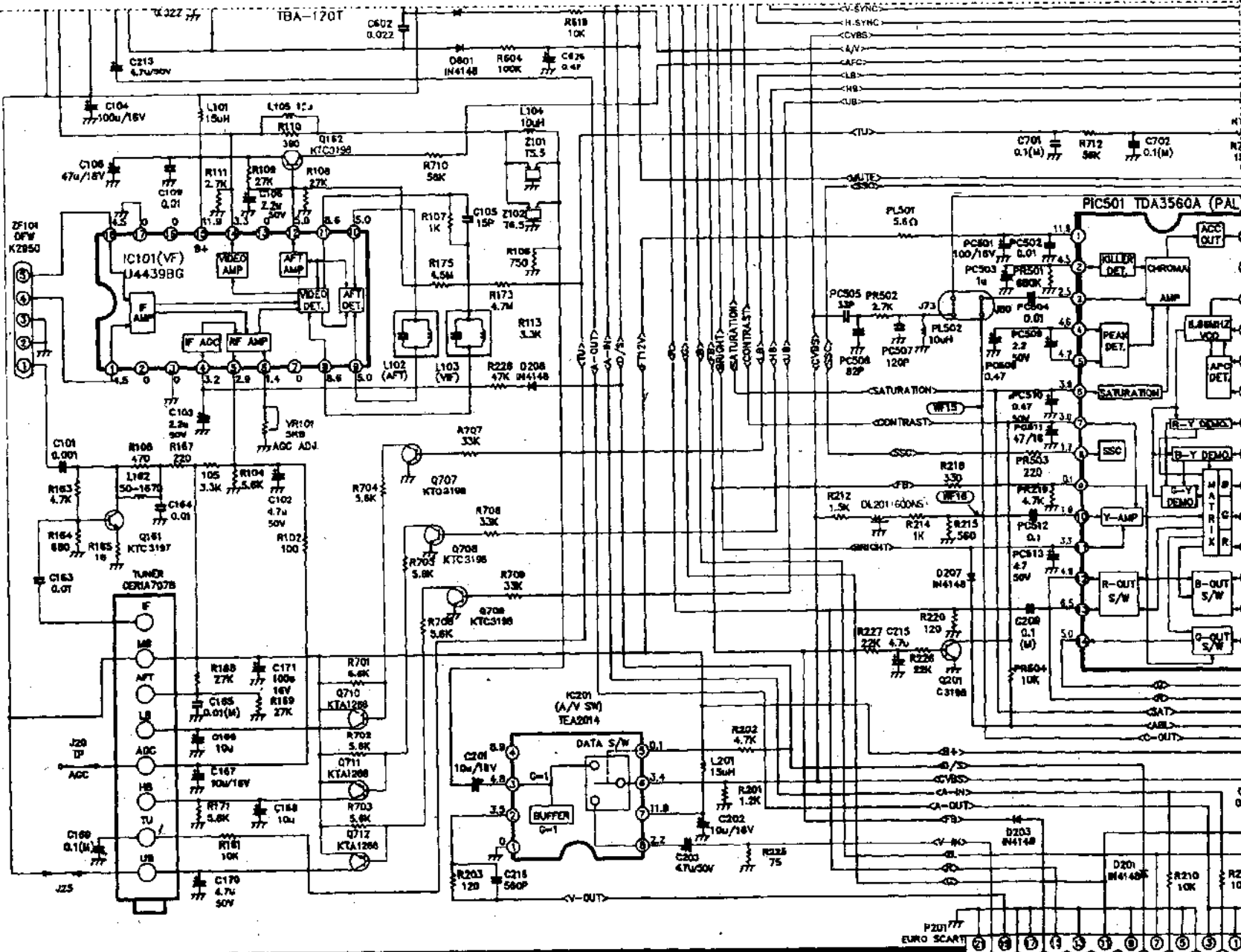


SAMSUNG PC04A



TX SCHEMATIC DIAGRAM





P201 EURO SCART

