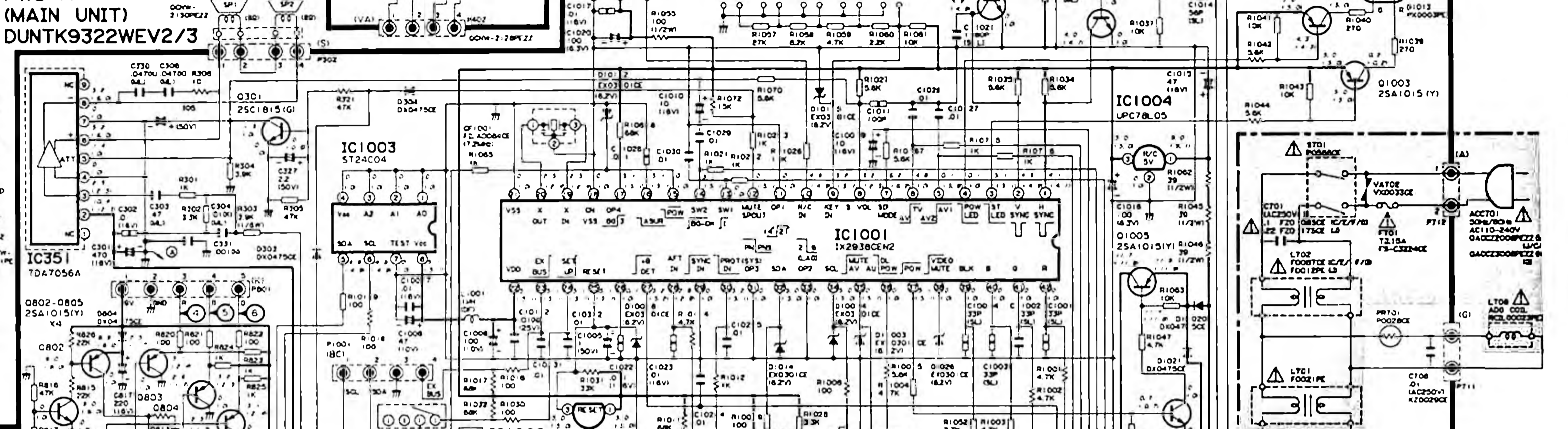
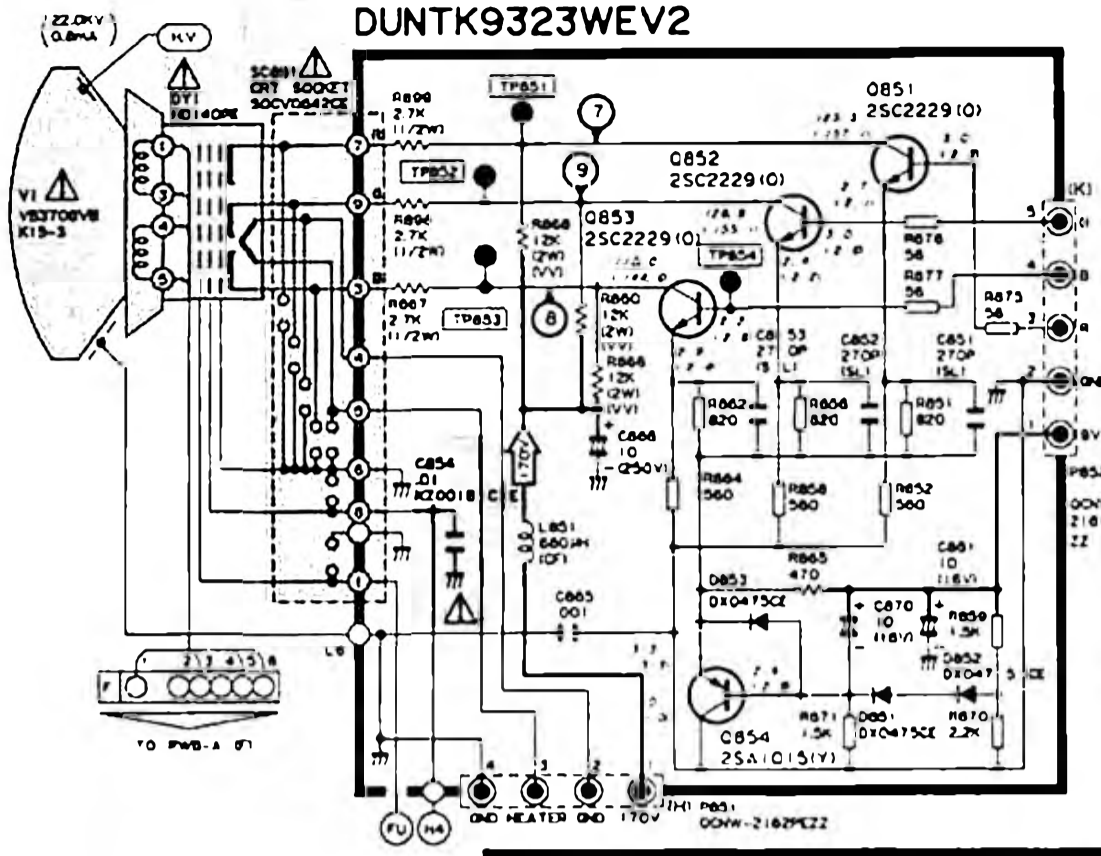


PWB-B (CRT UNIT)
DUNK9323WEV2

PWB-A
(MAIN UNIT)
DUNK9322WEV2/3



14R2B IS USING AS 'C' TYPE:

C	QUANT	ACCORD	C701	L102	C747
1	2000PK	20085CE	10 01	10.1μF	20115CE
2	1000PK	20085CE	10 01	10.1μF	1800P1
3	2000PK	20085CE	10 11	20.1μF	20115CE
4	2000PK	20085CE	10 11	20.1μF	1800P1
5	2000PK	20085CE	10 22	22.2μF	20115CE
6	2000PK	20085CE	10 22	22.2μF	13300P1

