

R243 X07108M

R1040 100W

R1041 100W

R1042 100W

R1043 100W

R1044 100W

R1045 100W

R1046 100W

R1047 100W

R1048 100W

R1049 100W

R1050 100W

R1051 100W

R1052 100W

R1053 100W

R1054 100W

R1055 100W

R1056 100W

R1057 100W

R1058 100W

R1059 100W

R1060 100W

R1061 100W

R1062 100W

R1063 100W

R1064 100W

R1065 100W

R1066 100W

R1067 100W

R1068 100W

R1069 100W

R1070 100W

R1071 100W

R1072 100W

R1073 100W

R1074 100W

R1075 100W

R1076 100W

R1077 100W

R1078 100W

R1079 100W

R1080 100W

R1081 100W

R1082 100W

R1083 100W

R1084 100W

R1085 100W

R1086 100W

R1087 100W

R1088 100W

R1089 100W

R1090 100W

R1091 100W

R1092 100W

R1093 100W

R1094 100W

R1095 100W

R1096 100W

R1097 100W

R1098 100W

R1099 100W

R1100 100W

R1101 100W

R1102 100W

R1103 100W

R1104 100W

R1105 100W

R1106 100W

R1107 100W

R1108 100W

R1109 100W

R1110 100W

R1111 100W

R1112 100W

R1113 100W

R1114 100W

R1115 100W

R1116 100W

R1117 100W

R1118 100W

R1119 100W

R1120 100W

R1121 100W

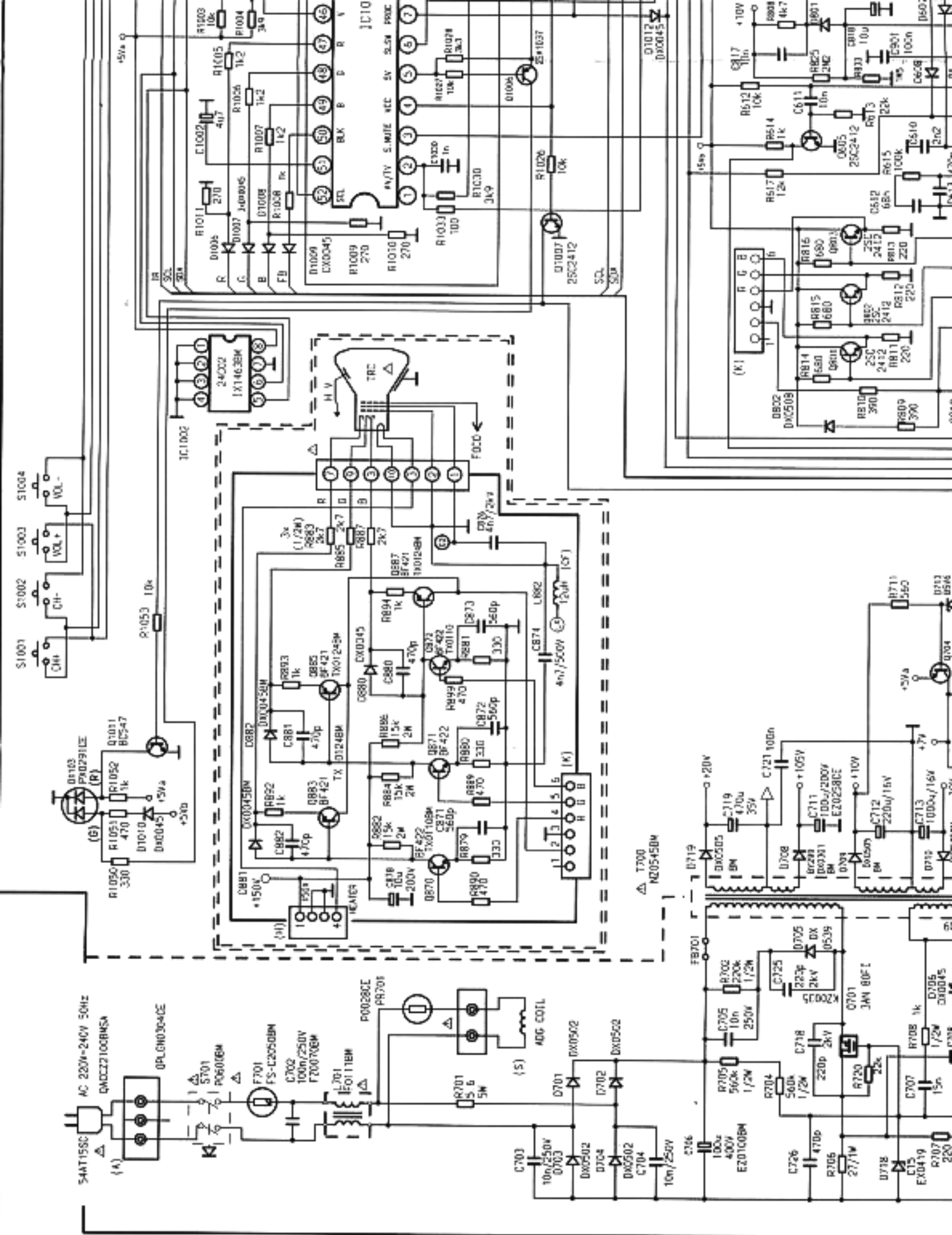
R1122 100W

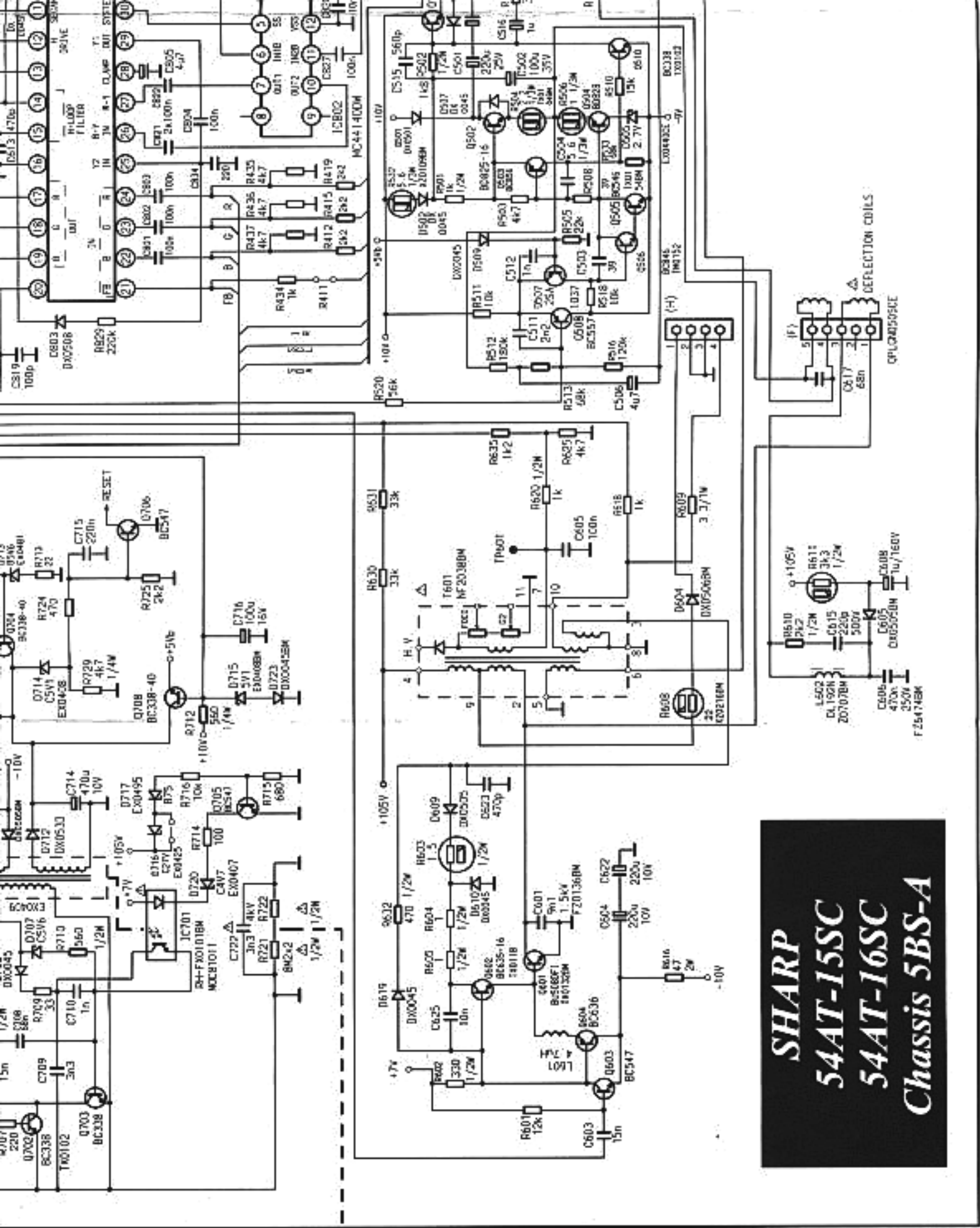
R1123 100W

R1124 100W

R1125 100W

R1126 100W





SHARP
54AT-15SC
54AT-16SC
Chassis 5BS-A