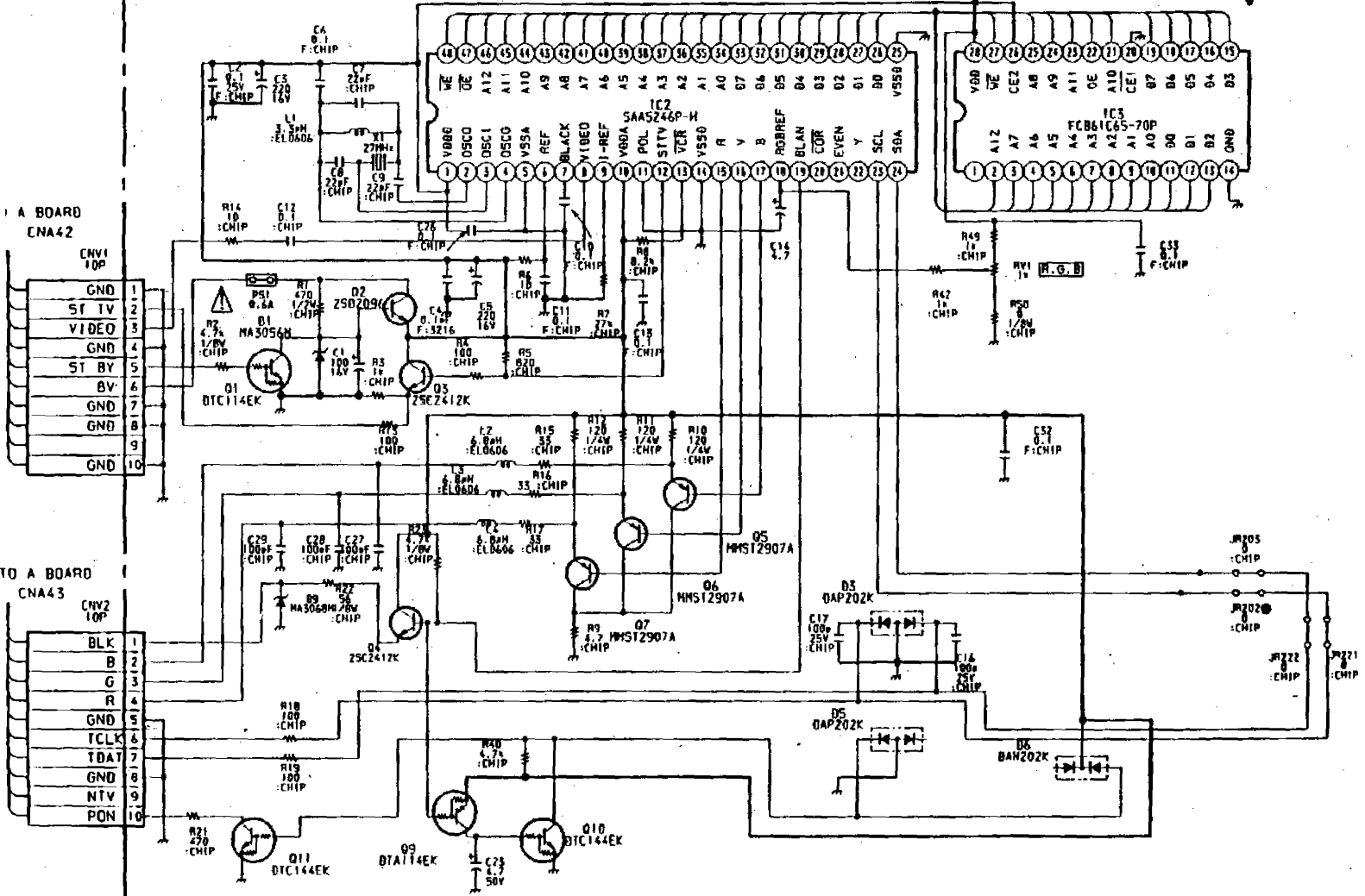
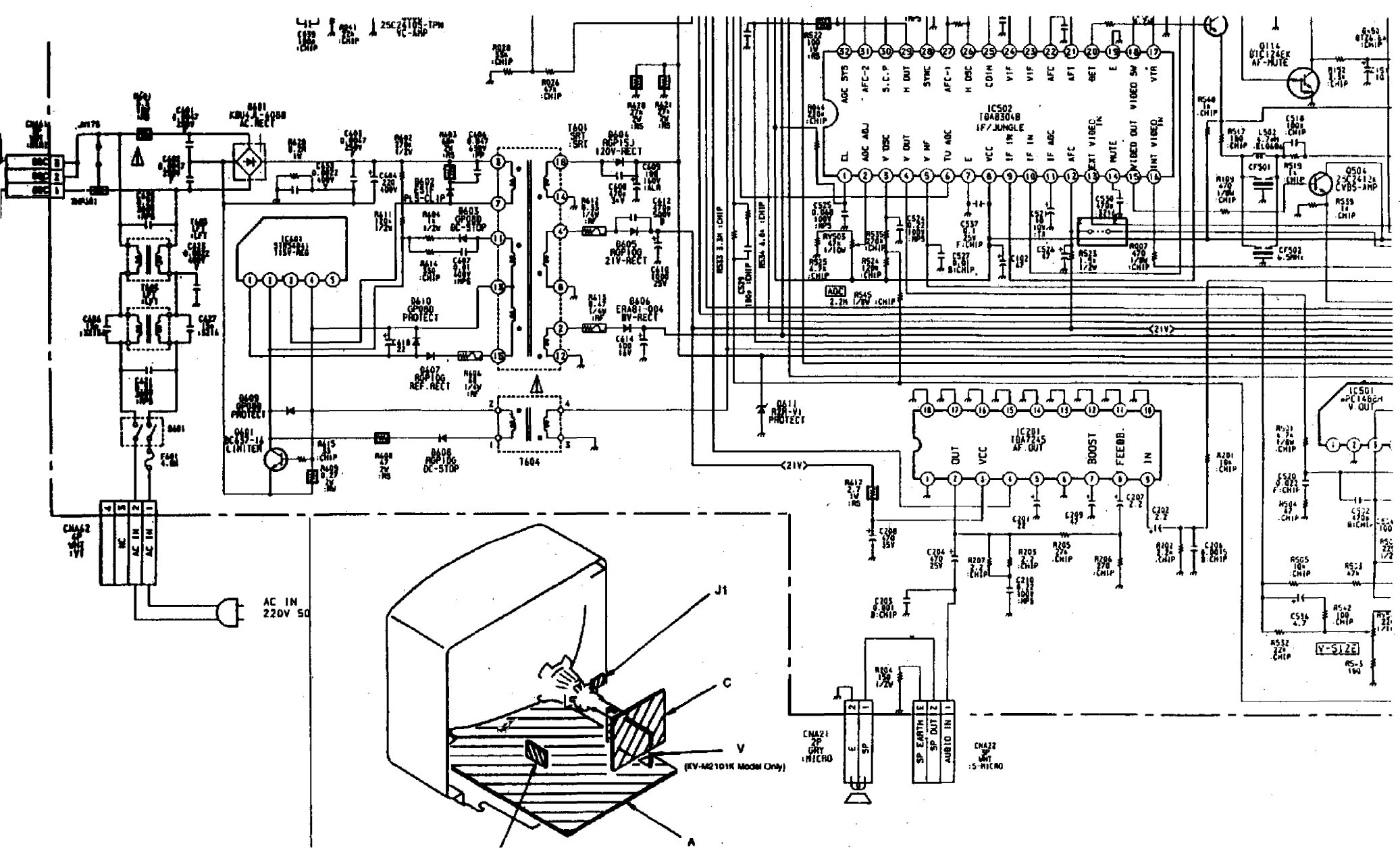
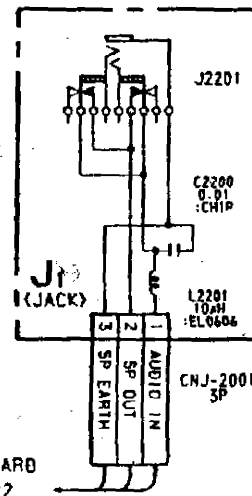
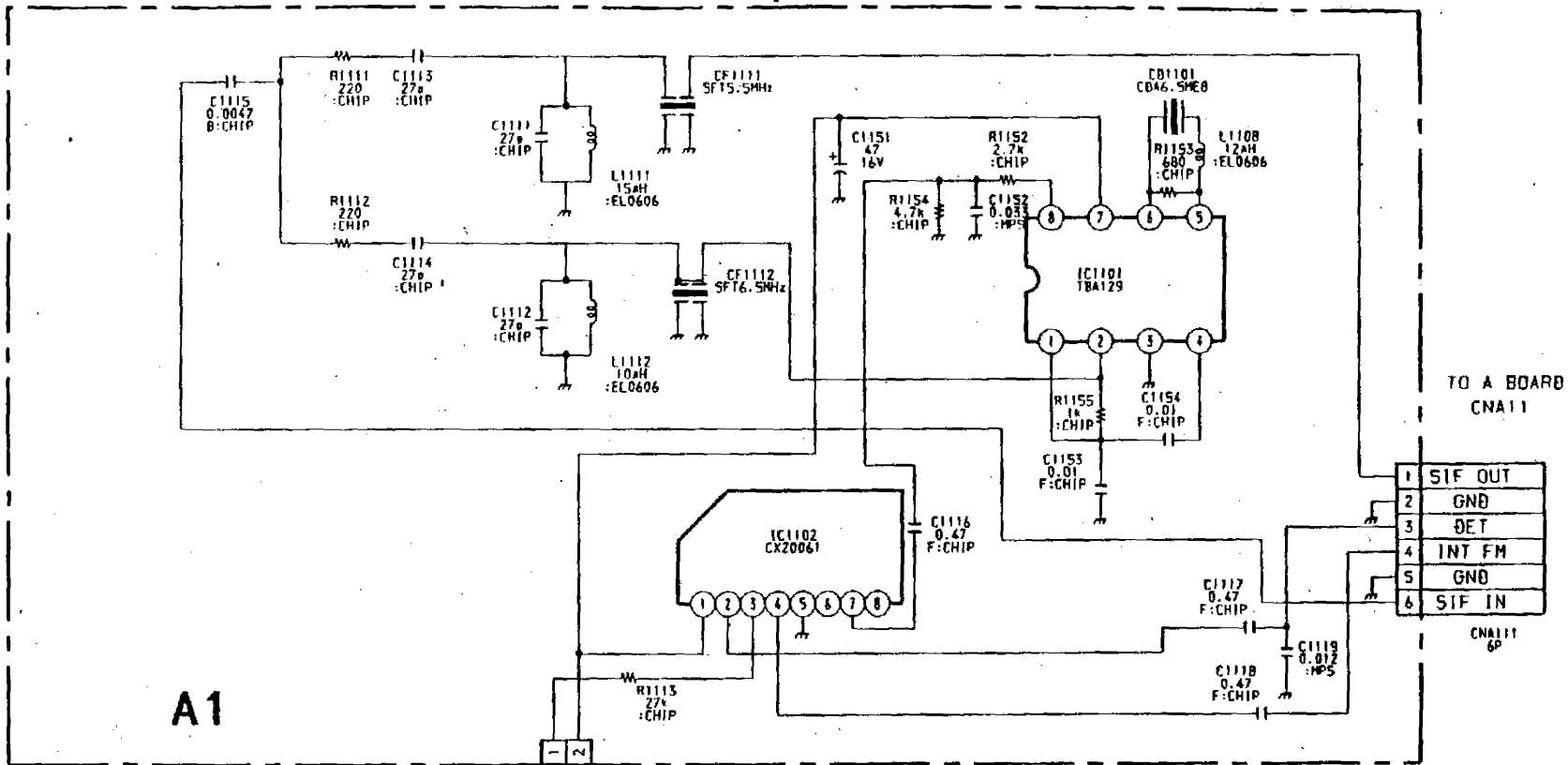


A BOARD
CNA42

TO A BOARD
CNA43







	M1400K	M1401K
* JW26	Not Fitted	Fitted

C

(R, G, B OUT)

FOCUS

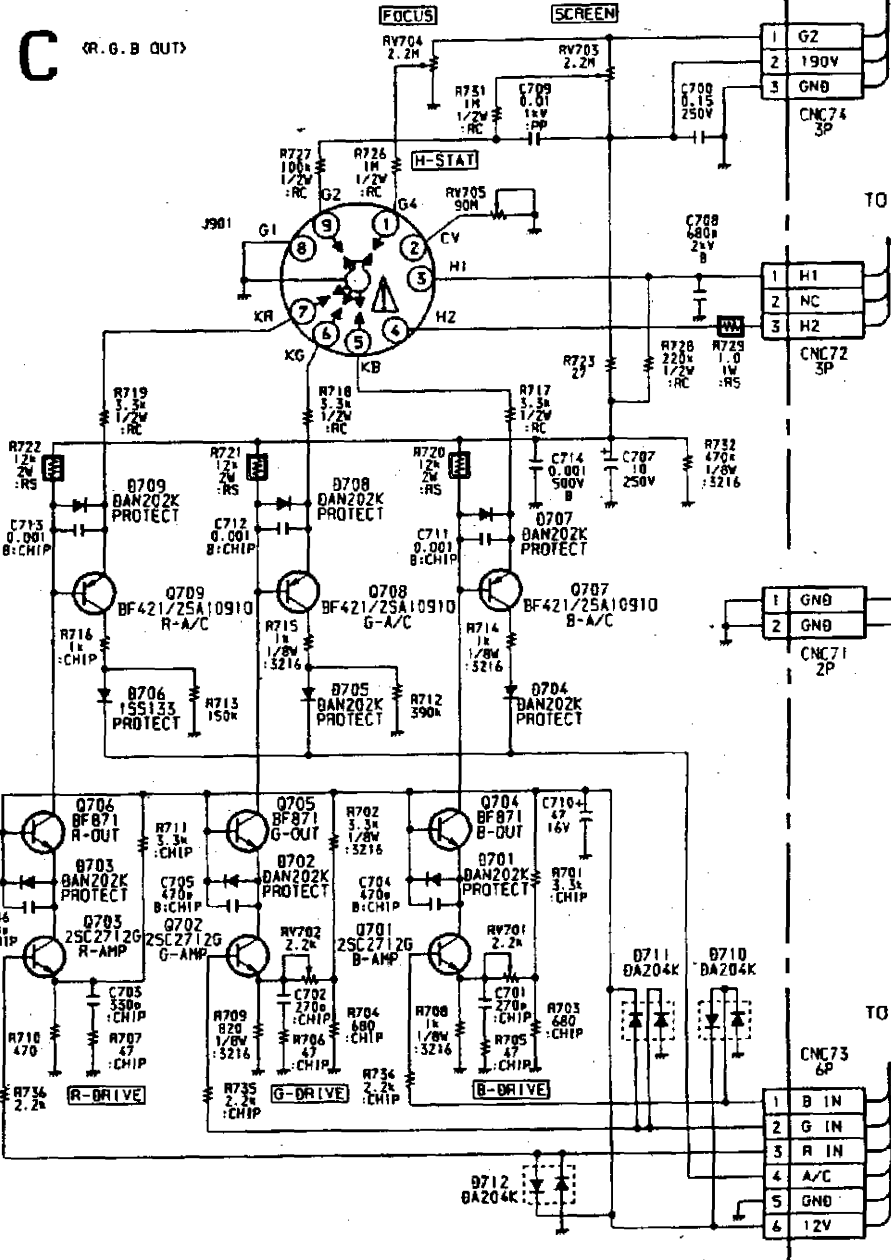
SCREEN

TO A BOARD
CNA81TO BOARD A
CNA81

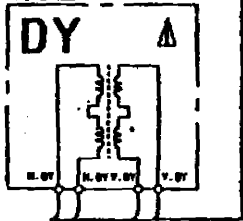
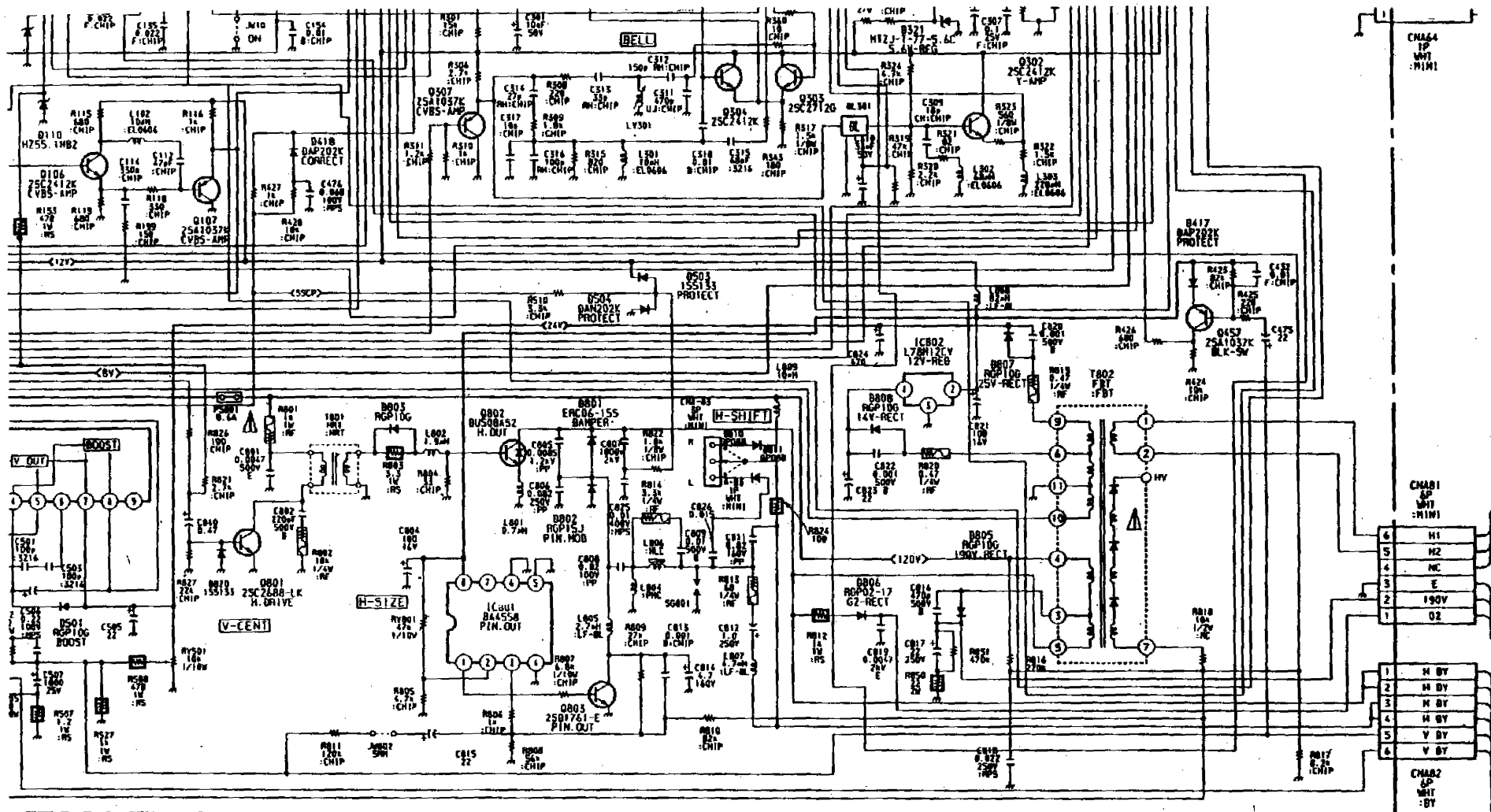
KG KB G2

V901
A34
JBU10X
PICTURE
TUBE

CV KR G1 G4 HV

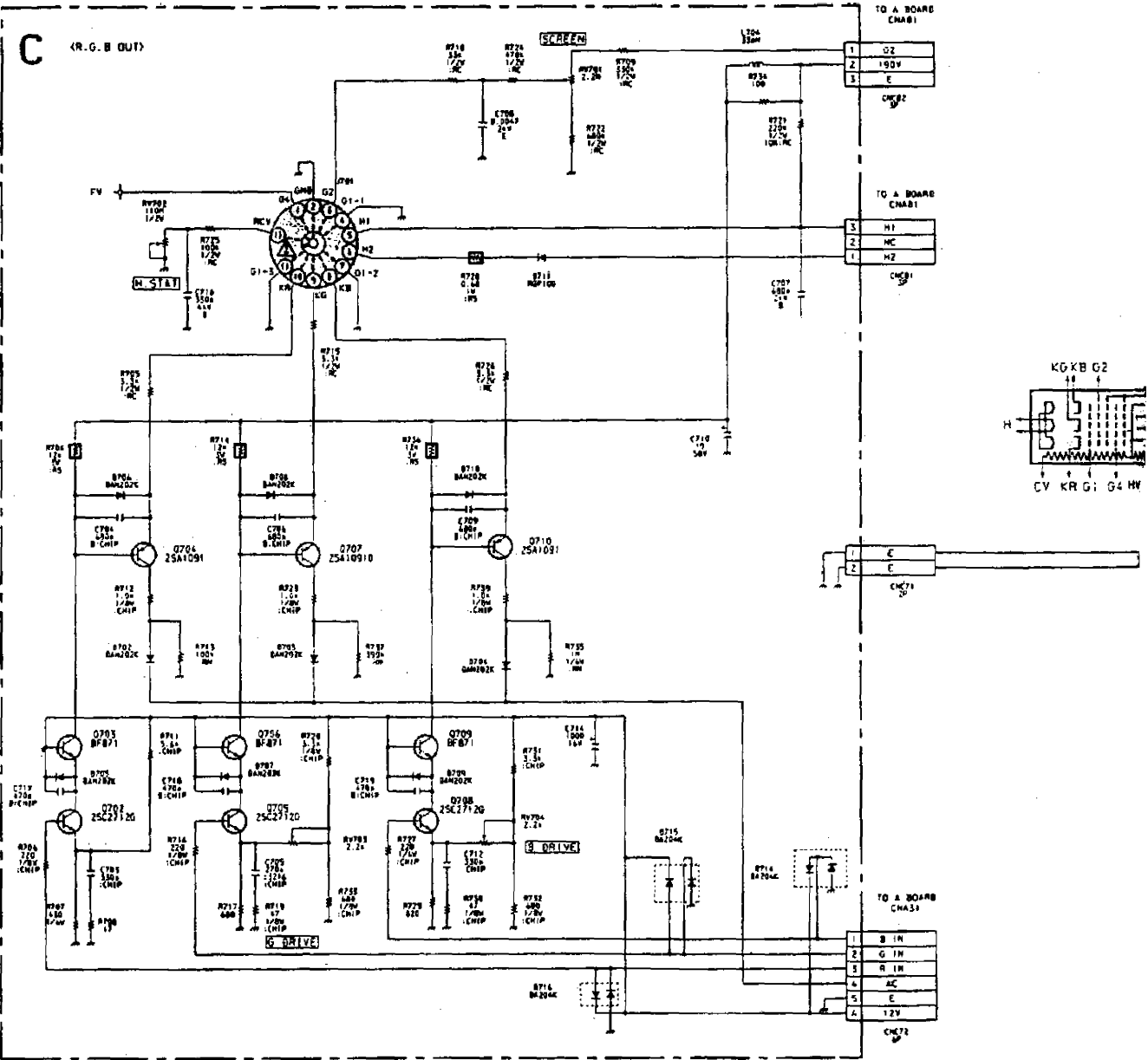
TO A BOARD
CNA31

- | | |
|---|------|
| 1 | B IN |
| 2 | G IN |
| 3 | R IN |
| 4 | A/C |
| 5 | GND |
| 6 | 12V |



C

(R.G.B OUT)

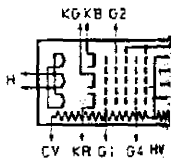


TO A BOARD CHAS1

1	G2
2	100V
3	E

TO A BOARD CHAS1

3	M1
1	M2
1	H2



TO A BOARD CHAS1

1	E
2	E

TO A BOARD CHAS1

1	B IN
2	G IN
3	R IN
4	AC
5	E
4	12V

CHAS1