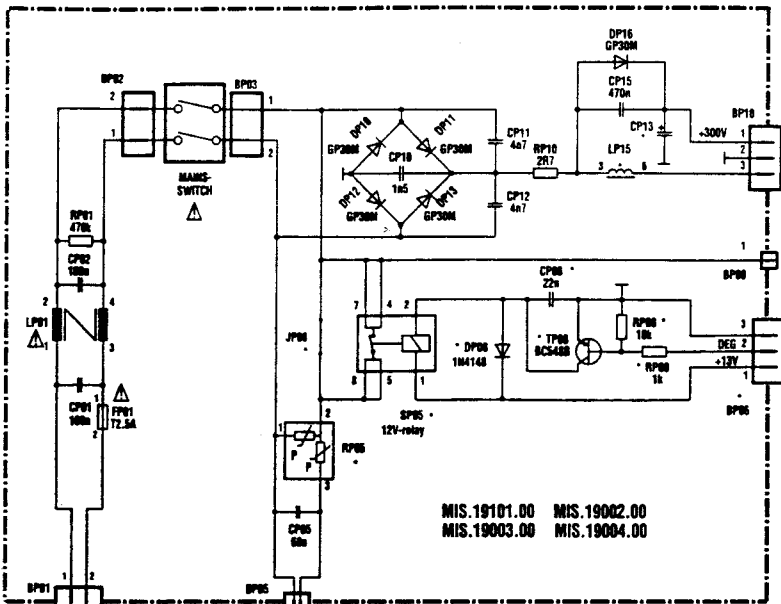


COMPLETE PCB DIAGRAM - SCHEMA PLATINE PRINCIPALE EQUIPEE - SCHALTUNG LEITERPLAT



MIS.19101.00 MIS.19002.00
MIS.19003.00 MIS.19004.00

× INSERTED
- NOT INSERTED
TO DEGAUSSING COIL

different comp.	BP06	CP08	CP13	DP06	JP06	LP15	RP05	RP08	RP09	SP05	TP08
MIS.19101	100Hz+relay	×	×	150u	×	1.5mH	18R	×	×	×	×
MIS.19002	50Hz	×	×	100u	×	3mH	25R	×	×	×	×
MIS.19003	50Hz+relay	×	×	100u	×	3mH	18R	×	×	×	×
MIS.19004	50Hz/45W Pict.Pow.	×	×	×	×	3mH	25R	×	×	×	×

DESIGNATOR POWER PP.19000.00, PP.19100.00, PP.19101.00, PP.19102.00

	PP 19001 00 10393820	PP 19101 00 10393830	PP 19000 00 10349730	PP 19100 00 10353750	PP 19002 00 10405430
	50Hz/Delby	100Hz/Delby	50Hz/Stereo	100Hz/Stereo	50Hz/Stereo 45W Pict. Power
CP020	100u	150u	100u	150u	150u
CP112	2n2	3n3	-	3n3	2n2
CP126	X	X	2n2	-	-
CP137/138	X	X	-	X	-
CP146	X	X	-	X	-
DP027	DR	1N4148	DR	1N4148	DR
DP028	-	X	-	X	-
DP034	-	X	-	X	-
DP108/109	BYW029-150	BYW029-150	RGP30D	RGP30D	RGP30D
DP110	RGP30MT	RGP30M	RGP30MT	RGP30M	RGP30MT
DP113	RGP10M	MUR1100E	RGP10M	MUR1100E	RGP10M
DP126	X	X	-	-	-
DP148	MR822	BYV63-150	RGP30D	MR822	RGP30D
JP002	X	-	-	-	X
JP010/011	-	-	X	-	X
JP013	-	-	X	-	X
JP014	133V	130V	133V	130V	133V
JP015	130V	136V	130V	136V	130V
JP016	127V	130V	127V	130V	127V
JP017	136V	142V	136V	142V	136V
LP019	180u	180u	180u	105u	180u
LP020	10385280	10397920	10378130	10459570	10378130
LP040	4u7	2u2	4u7	2u2	4u7
RP026/028	-	X	-	X	-
RP027	-	X	-	X	-
RP040	1/4W	1/2W	1/4W	1/2W	1/4W
RP054	5R6	6R8	5R6	6R8	5R6
RP063	10k	47k	10k	47k	10k
RP065	10k	12k1	10k	12k1	10k
RP066	3k48	3k57	3k48	3k57	3k48
RP126/128	X	X	-	-	-
RP127	X	X	-	-	-
RP129	X	X	-	-	-
RP130	X	X	-	-	-
RP138/139	-	X	-	X	-
RP146	X	X	-	X	-
RP157	150k	130k	150k	130k	150k
TP025/026	-	X	-	X	-
TP068	BUV48CFI	BULF10TH	BUV48CFI	BULF10TH	BUV48CFI
TP129	X	X	-	X	-
TP146	X	X	-	X	-
TP162	-	-	-	X	-

Note :
Power Supply primary circuit measurements.
- Use only (GND1) connection point.

Attention :
Mesure dans le bloc alimentation
- Utiliser la masse du bloc alimentation (GND1).

Achtung :
Bei Messungen im Primärnetzteil
- Primärnetzteilmasse verwenden (GND1).

Attenzione :
misure nell'alimentatore primario
- usare massa alimentazione primario (GND1).

Cuidado :
Medida en el bloque de alimentación
- Utilizar la masa del bloque de alimentación (GND1).

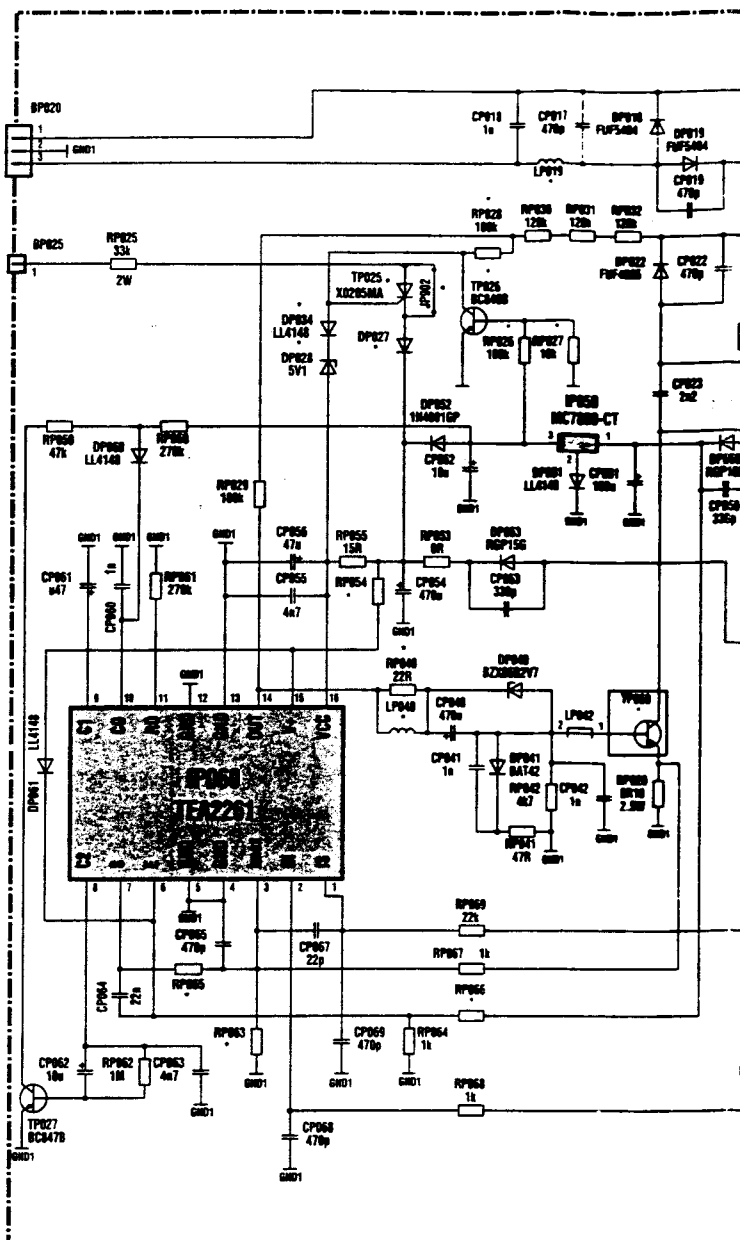
⚠ Safety Part
When repairing, use original part only

⚠ Piece de securite
N'utilisez que les pieces d'origine

⚠ Sicherheitsbauteil
Bei Ersatz nur Originalteil verwenden

⚠ Componenti di sicurezza
durante la riparazione usare componenti originali

⚠ Pieza de seguridad
Utilice solo piezas originales



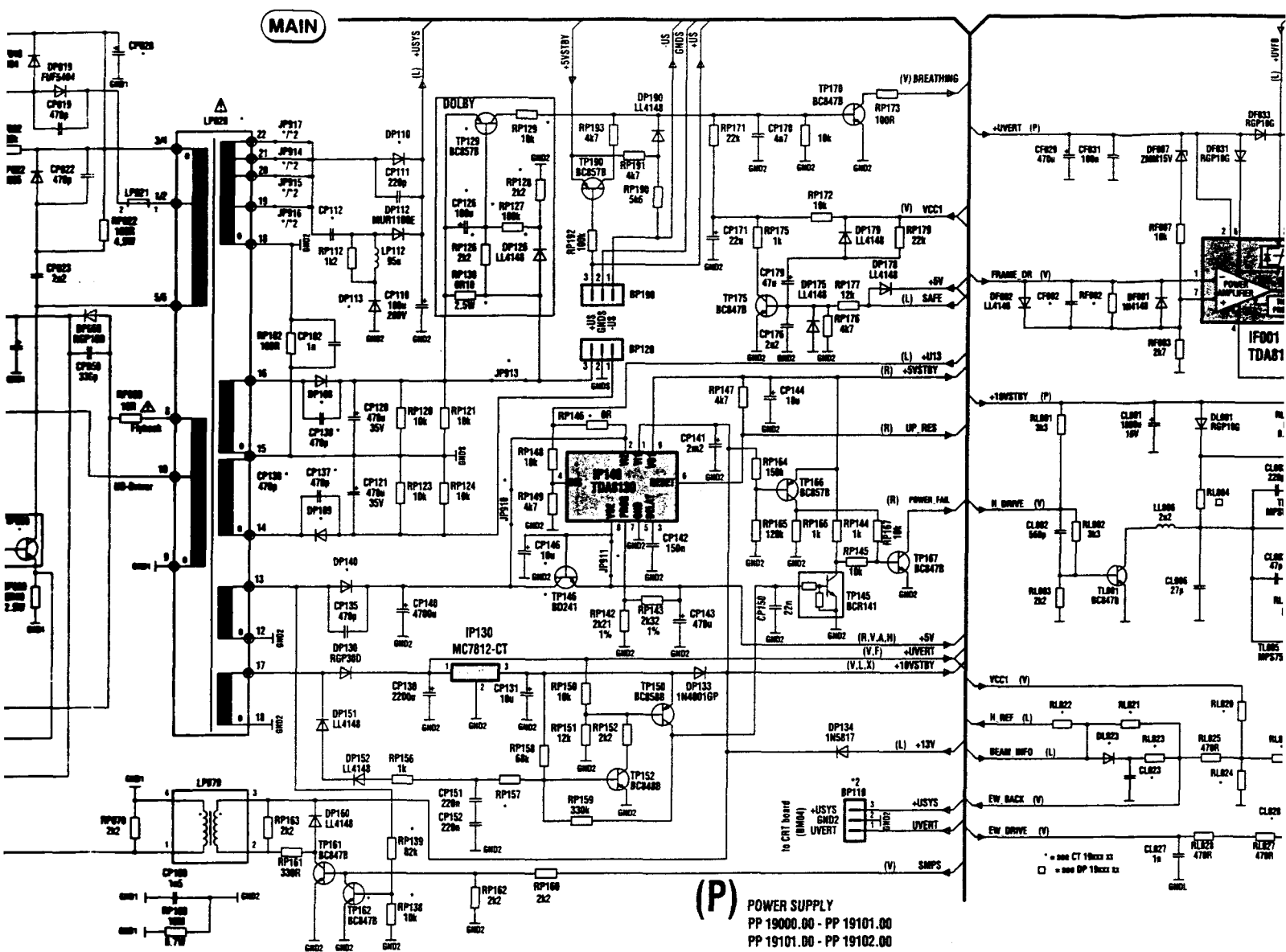
Deflection - Basic Partlists

□	Deflection - Basic Partlists		
	100Hz DP 19100 00	50Hz 200M DP 19050 00	50Hz DP 19000 00
CL005	470n/16V	220n/25V	220n/25V
CL036	2u2/250V	-	2u2/250V
CL148	220n	-	-
DL003/04	-	×	×
DL030	DTV32F-1500	DTV32F-1500	DTV32F-1500
DL032	BYT08-400	BYW76	BYW76
DL034	BYT01-200	-	RGP10G
DL036	BYT01-200	-	RGP10G
DL046	MUR160	RGP10M	RGP10M
DL056	BZK5C22	BZK5C30	BZK5C30
DL147	LL148	-	-
DL148	LL148	-	-
JL043	-	×	×
LL001	10 46 87 60	10 51 81 18	10 51 81 18
LL030	-	-	-
LL032	10 25 84 40	Jumper	Jumper
LL043	22n	-	-
RF015	PTC-15R	10R	10R
RL004	1k	1k0	1k0
RL013	4R7	10R	10R
RL014	40R2	68R	68R
RL015	1R	2R2	2R2
RL016/17	40R2	68R	68R
RL018	40R2	-	-
RL030	Jumper	Jumper	Jumper
RL070	15k	33k	33k
RL071	43k	43k	43k
RL124	7k5	-	7k5
RL125	7k5	-	7k5
RL126	7k5	-	7k5
RL127	7k5	-	7k5
RL134	7k5	-	7k5
RL135	7k5	-	7k5
RL136	7k5	-	7k5
RL137	7k5	-	7k5
RL146	100R	-	-
RL147	2k2	-	-
RL149	1k	-	-
TL030	0N4977	BUV48CFTH16	BUV48CFTH16
ZL041	MP160	MP125	MP125

□	CT 19101 34	
	10 36 28 50	100Hz 25-28MF 4
CF002	680p	-
CL023	-	-
CL029	50n	-
CL030	470n/63V	-
CL031	1n0/25V	-
CL031	11n0/25V	-
CL032	30n/400V	-
CL033	500n/250V	-
CL034	12n/400V	-
CL037	68n/250V	-
CL067	100n/100V	-
CL084	3n0/400V	-
CL211	470p	-
DF011	10 36 82 10	-
DL023	-	-
DL071	BZK5C33	-
DL082	104148	-
JL032	-	-
JL033	-	-
JL034	-	-
JL036	-	-
JL037	-	-
JL045	×	-
LL000	10 46 83 40	-
LL029	10 34 76 50	-
LL033	10 34 76 60	-
LL034	10 15 32 70	-
LL037	4u2	-
LL046	22n	-
LL047	10n	-
LL084	2n05	-

Part of board connected to mains supply.
Partie du chassis reliée au secteur.
Primärseite des Netzteils.
Parte dello chassis collegata alla rete.
Parte del chassis conectada a la red.

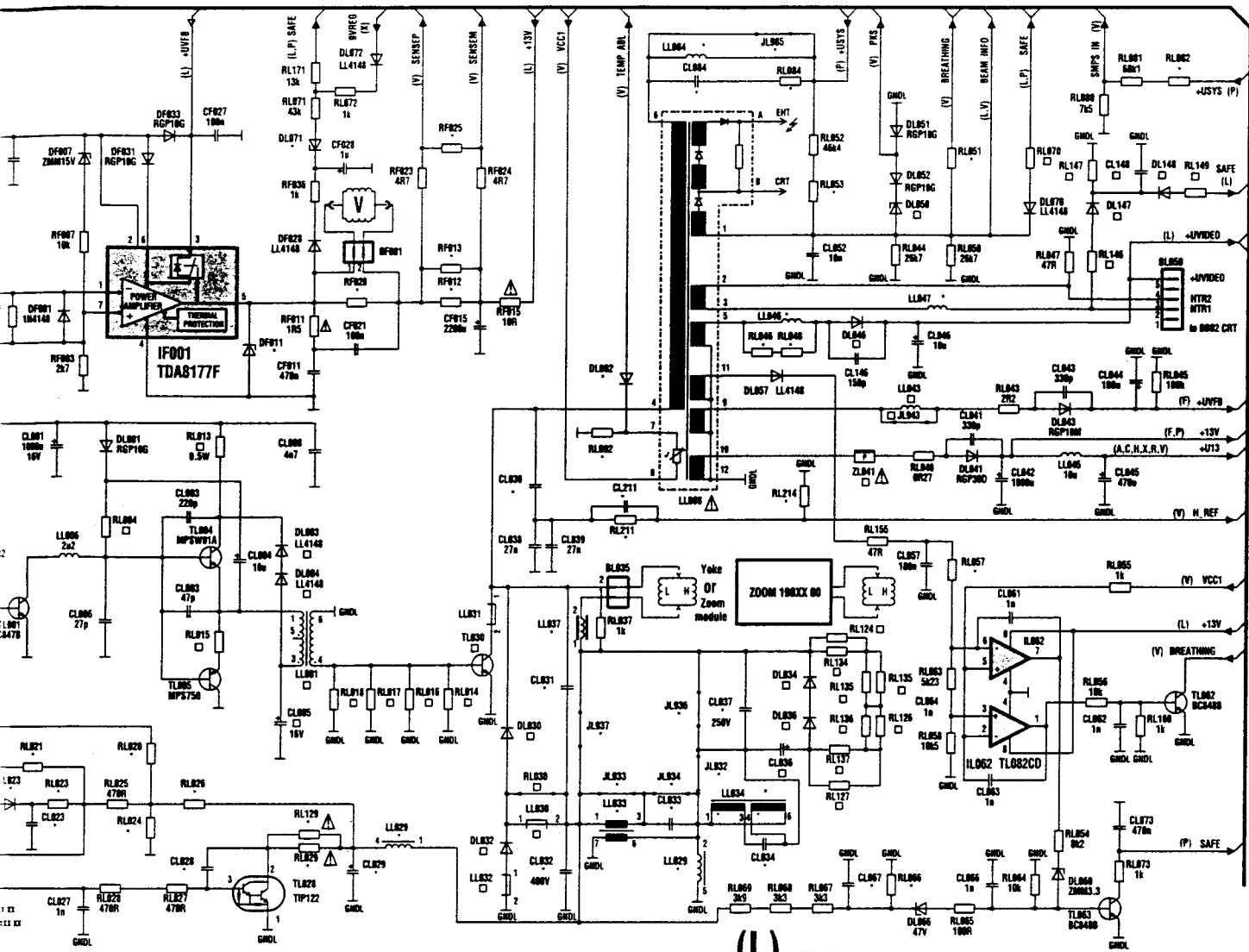
ERPLATTE KPL - SCHEMA PIASTRA COMPLETA - ESQUEMA PLATINA EQUIPADADA



CT 19101 34	CT 19105 37	CT 19152 37	CT 19111 34	CT 19112 34	CT 19151 34	CT 19005 31	CT 19003 32	CT 19004 31	CT 19031 37	CT 19032 37
10 35 29 50	10 35 15 30	10 52 06 10	10 44 48 10	10 47 54 60	10 52 06 00	10 51 08 90	10 35 15 26	10 39 09 80	10 44 62 60	10 39 10 10
100Hz	100Hz	100Hz-MCU	100Hz	100Hz	100Hz-MCU	50Hz	50Hz	50Hz	50Hz ZOOM	50Hz ZOOM
25-28WP 4/3	29SF 4/3	29SF 4/3	28SF 16/9	32SF 16/9	32SF 16/9	29SF	25-28WP 4/3	25SF 4/3	28SF 16/9	32SF 16/9
680p	680p	680p	2n2	2n2	1n5	2n2	1n5	1n5	1n5	1n5
5n	1n	1n	5n	5n	5n	1n	10n	10n	10n	10n
470n/63V	3n3/63V	3n3/63V	470n/63V	470n/63V	470n/63V	3n3/63V	4n7/160V	3n3/63V	4n7/160V	4n7/160V
1n9/2KV	1n9/2KV	1n9/2KV	2n7/2KV	2n7/2KV	2n7/2KV	1n9/2KV	1n9/2KV	1n9/2KV	1n9/2KV	3n3/1KV
11n6/2KV	11n6/2KV	11n6/2KV	11n6/2KV	11n6/2KV	11n6/2KV	14n4/1KV	12n8/1KV	14n4/1KV	12n8/1KV	12n8/1KV
33n/400V	27n/400V	27n/400V	33n/400V	33n/400V	33n/400V	33n/400V	24n/400V	33n/400V	24n/400V	27n/400V
680n/250V	---	---	680n/250V	680n/250V	680n/250V	---	1n5/160V	---	1n5/160V	1n5/160V
12n/400V	12n/400V	12n/400V	12n/400V	12n/400V	12n/400V	---	---	---	---	---
680n/250V	410n/400V	410n/400V	560n/250V	560n/250V	560n/250V	510n/250V	560n/250V	510n/250V	100n/100V	100n/100V
3n3/400V	3n3/400V	3n3/400V	100n/100V	100n/100V	100n/100V	3n3/400V	4n7/250V	4n7/250V	4n7/250V	4n7/250V
470p	470p	470p	470p	470p	470p	---	---	---	---	---
10 36 82 10	10 36 82 10	10 36 82 10	10 36 82 10	10 36 82 10	10 36 82 10	10 35 18 80	10 35 18 80	10 35 18 80	10 35 18 80	10 35 18 80
BZX55C33	BZX55C33	BZX55C33	BZX55C24	BZX55C24	BZX55C24	BAV103	BAV103	BAV103	BAV103	BAV103
1N4148	1N4148	1N4148	1N4148	1N4148	1N4148	---	---	---	---	---
---	---	---	---	---	---	---	---	---	---	---
---	---	---	---	---	---	---	---	---	---	---
---	---	---	---	---	---	---	---	---	---	---
---	---	---	---	---	---	---	---	---	---	---
---	---	---	---	---	---	---	---	---	---	---
10 46 83 60	10 46 80 70	10 51 88 70	10 46 81 60	10 46 81 60	10 52 83 90	10 51 77 20	10 51 77 40	10 51 77 20	10 51 77 50	10 51 77 50
10 34 76 50	10 15 42 70	10 15 42 70	10 34 76 50	10 34 76 50	10 34 76 50	10 37 74 20	10 09 50 60	10 37 74 20	10 09 50 60	10 09 50 60
10 34 76 60	---	---	10 34 76 60	10 34 76 60	10 34 76 60	---	---	---	---	---
10 15 32 70	10 15 32 70	10 15 32 70	10 15 32 70	10 15 32 70	10 15 32 70	---	---	---	---	---
4n2	3n7	3n7	4n2	4n2	4n2	30n5	30n5	30n5	24n	24n
22n	22n	22n	22n	22n	22n	---	---	---	---	---
10n	10n	10n	10n	10n	10n	26n	26n	26n	23n	23n
29n5	29n5	29n5	29n5	29n5	29n5	24n	24n	24n	24n	24n

CT 19101 34	
10 36 28 50	
100Hz	
25-28WP 4/3	
RF902	10k
RF912	1R
RF913	1R
RF920	180R
RF925	39R
RL828	464R
RL821	---
RL823	---
RL824	2n57
RL826	3n65
RL829	---
RL846/48	3n3
RL851	270k
RL853	6n34
RL857	56k2
RL866	---
RL862	5n
RL884	---
RL882	4k7
RL129	2k2
RL211	6n3
RL214	---
ZOOM	---
MODULE	---

Note: the last two numbers of the e.g. CT 19005 31 Usys 131V
X = inserted
- = not inserted



(L) DEFLECTION PART
 DP 19100.00 - DP 19050.00
 DP 19000.00

Deflection - Picture Tube related Partlists

	CT 19101 34	CT 19105 37	CT 19152 37	CT 19111 34	CT 19112 34	CT 19151 34	CT 19005 31	CT 19003 32	CT 19004 31	CT 19031 37	CT 19032 37
	10 36 28 80	10 35 15 30	10 52 06 10	10 44 48 10	10 47 54 60	10 52 06 00	10 51 08 90	10 35 15 20	10 39 09 80	10 44 62 60	10 39 10 10
	100Hz	100Hz	100Hz-MCU	100Hz	100Hz	100Hz-MCU	50Hz	50Hz	50Hz	50Hz ZOOM	50Hz ZOOM
	25-28"MP 4/3	29"SF 4/3	29"SF 4/3	28"SF 16/9	32"SF 16/9	32"SF 16/9	29"SF	25-28"MP 4/3	25"SF 4/3	28"SF 16/9	32"SF 16/9
RF002	10k	10k	10k	10k	10k	10k	-	-	-	-	-
RF012	1R	1R	1R	1R5	1R5	1R5	1R5	1R5	1R5	1R5	1R5
RF013	1R	1R	1R	1R82	1R82	1R82	1R5	1R5	1R5	1R5	1R5
RF020	180R	270R	270R	-	-	-	220R	220R	220R	-	-
RF025	39R	43R	43R	150R	150R	150R	91R	221R	91R	240R	240R
RL020	4k64	7k15	7k15	4k64	4k64	4k64	3k09	3k09	3k09	3k09	3k09
RL021	-	-	-	-	-	-	-	-	-	-	-
RL023	-	-	-	-	-	-	75k	120k	75k	120k	120k
RL024	2k67	4k02	4k02	2k67	2k67	2k67	1k62	1k62	1k62	1k62	1k62
RL026	36k5	61k9	61k9	36k5	36k5	36k5	37k4	37k4	37k4	37k4	37k4
RL029	-	2R2	2R2	-	-	-	2R2	2R2	2R2	2R2	2R2
RL046/48	3k3	3k3	3k3	3k3	3k3	3k3	0R	0R	0R	0R	0R
RL051	270k	270k	270k	270k	270k	270k	750k	750k	750k	750k	750k
RL053	6k34	6k66	6k66	6k34	6k34	6k34	5k1	30k	5k1	8k2	8k2
RL057	56k2	56k2	56k2	56k2	56k2	56k2	42k2	40k2	42k2	42k2	42k2
RL066	-	2k2	-	-	-	-	1k8	-	1k8	-	-
RL082	59k	61k9	61k9	59k	59k	59k	56k2	56k2	56k2	61k9	61k9
RL084	-	-	-	-	-	-	12R	12R	12R	-	22R
RL092	4k7	4k7	4k7	4k7	4k7	4k7	-	-	-	-	-
RL129	2R2	-	-	2R2	2R2	2R2	-	-	-	-	-
RL211	6k8	6k8	6k8	6k8	6k8	6k8	12k	12k	12k	12k	12k
RL214	-	-	-	-	-	-	2k7	2k7	2k7	2k7	2k7
ZOOM MODULE	-	-	-	-	-	-	-	-	-	10 39 10 40	10 39 10 50

Note: the last two numbers of the CT xxxx part list name indicates the system voltage.
 e.g. CT 19005 31 Uysys 131V →

× = inserted
 - = not inserted