

Ceramic Singlelayer Tubular Capacitors, 125V_{DC}/ 250V_{DC}

DESIGN:

Tubular capacitor with brown phenol resin coating, impregnated

RATED VOLTAGE U_R:

Ceramic Class 1: 250V_{DC} (175V_{RMS})
 Ceramic Class 2: 125V_{DC} (90V_{RMS})

DIELECTRIC STRENGTH BETWEEN LEADS:

Ceramic Class 1: 750V_{DC} 1s
 Ceramic Class 2: 375V_{DC} 1s

DISSIPATION FACTOR tan δ:

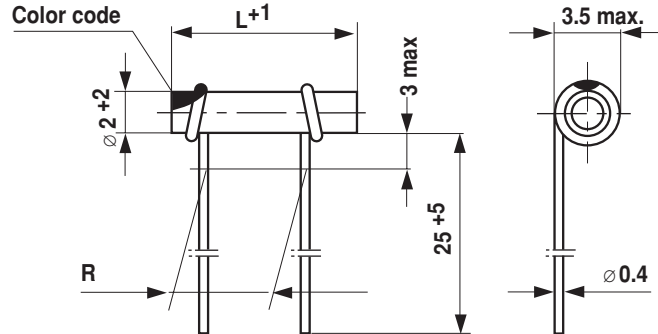
Ceramic Class 1: see General Information
 Ceramic Class 2: ≤ 25 • 10⁻³

INSULATION RESISTANCE R_{IS}:

Ceramic Class 1: ≥ 1 • 10¹⁰ Ω
 Ceramic Class 2: ≥ 5 • 10⁹ Ω

CATEGORY TEMPERATURE RANGE θ_A:

Ceramic Class 1: (- 55 to + 125)°C
 Ceramic Class 2: (- 25 to + 85)°C



• Dimensions in mm

CLIMATIC CATEGORY ACC. TO EN 60068-1:

55 / 085 / 56

MARKING:

Capacitance value,
 Tolerance letter (RDPT 0211 & 0213 only).
 Ceramic dielectric color code

CLASS	CERAMIC DIELECTRIC	CAPACITANCE VALUES (pF) AT NOMINAL TUBE LENGTH L (mm)				
		5 (0205)	7 (0207)	9 (0209)	11 (0211)	13 (0213)
1B	P 100	3.0 to 7.5	to 11	to 18	to 27	to 36
	NP 0	6.8 to 12	to 20	to 30	to 47	to 62
	N 150	6.8 to 18	to 30	to 47	to 68	to 82
	N 750	18 to 51	to 75	to 110	to 160	to 220
2	R 700	100 to 180	to 300	to 470	to 620	to 750
	R 2000	470 to 820	to 1200	to 1800	to 2400	to 3000
	R 4000	820 to 1500	to 3900	to 5600	to 7500	to 10000
Distance between leads R (approx. mm)		3.3	4.5	6.5	8.3	10.6

CERAMIC DIELECTRIC	NOMINAL VALUES	CAPACITANCE TOLERANCES			
P 100 to N 750	< 10pF	± 0.25pF	± 0.5pF	± 1pF	± 2pF
	≥ 10pF	± 2%	± 5%	± 10%	± 20%
R 700 to R 2000		± 20%	- 20 + 50%		
R 4000			- 20 + 50%	- 20 + 80%	

ORDERING INFORMATION				
RDPT 0205	250V-	7.5pF	± 10%	P 100



Disclaimer

All product specifications and data are subject to change without notice.

Vishay Intertechnology, Inc., its affiliates, agents, and employees, and all persons acting on its or their behalf (collectively, "Vishay"), disclaim any and all liability for any errors, inaccuracies or incompleteness contained herein or in any other disclosure relating to any product.

Vishay disclaims any and all liability arising out of the use or application of any product described herein or of any information provided herein to the maximum extent permitted by law. The product specifications do not expand or otherwise modify Vishay's terms and conditions of purchase, including but not limited to the warranty expressed therein, which apply to these products.

No license, express or implied, by estoppel or otherwise, to any intellectual property rights is granted by this document or by any conduct of Vishay.

The products shown herein are not designed for use in medical, life-saving, or life-sustaining applications unless otherwise expressly indicated. Customers using or selling Vishay products not expressly indicated for use in such applications do so entirely at their own risk and agree to fully indemnify Vishay for any damages arising or resulting from such use or sale. Please contact authorized Vishay personnel to obtain written terms and conditions regarding products designed for such applications.

Product names and markings noted herein may be trademarks of their respective owners.