

To all our customers

**Information regarding change of names mentioned
within this document, to Renesas Technology Corp.**

On April 1st 2003 the following semiconductor operations were transferred to Renesas Technology Corporation: operations covering microcomputer, logic, analog and discrete devices, and memory chips other than DRAMs (flash memory, SRAMs etc.).

Accordingly, although Hitachi, Hitachi, Ltd., Hitachi Semiconductors, and other Hitachi brand names are mentioned in the document, these names have all been changed to Renesas Technology Corporation.

Except for our corporate trademark, logo and corporate statement, no changes whatsoever have been made to the contents of the document, and these changes do not constitute any alteration to the contents of the document itself.

Thank you for your understanding.

Renesas Technology Home Page: www.renesas.com

Renesas Technology Corp.
April 1, 2003

HD66750S

(128 x 128-dot Graphics LCD Controller/Driver with
Four-grayscale Functions)

HITACHI

Rev 0.2
January, 2001

Description

The HD66750S, dot-matrix graphics LCD controller and driver LSI, displays 128-by-128-dot graphics for four monochrome grayscales. Since the HD66750S incorporates bit-operation functions and a 16-bit high-speed bus interface, it enables efficient data transfer and high-speed rewriting of data in the graphics RAM. The following functions allow the user to easily see a variety of information: a smooth scroll display function that fixed-displays a part of the graphics icons and perform vertical smooth scrolling of the remaining bit-map areas, a double-height display function, and a hardware-supported window cursor display function.

The HD66750S has various functions to reduce the power consumption of an LCD system such as low-voltage operation of 1.8 V min., a booster to generate maximum seven-times LCD drive voltage from the supplied voltage, and voltage-followers to decrease the direct current flow in the LCD drive bleeder-resistors. Combining these hardware functions with software functions, such as a partial display with low-duty drive and standby and sleep modes, allows precise power control. The HD66750S is suitable for any mid-sized or small portable battery-driven product requiring long-term driving capabilities, such as digital cellular phones supporting a WWW browser, bidirectional pagers, and small PDAs.

Features

- 128 × 128-dot graphics display LCD controller/driver for four monochrome grayscales
- Fixed display of graphics icons (pictograms)
- 16-/8-bit high-speed bus interface capability
- Clock synchronized serial interface capability
- Bit-operation functions for graphics processing incorporated:
 - Write-data mask function in bit units
 - Bit rotation function
 - Bit logic-operation function
- Low-power operation support:
 - $V_{CC} = 1.8$ to 3.6 V (low voltage)
 - $V_{LCD} = 5$ to 15.5 V (liquid crystal drive voltage)
 - Two-, five-, six-, or seven-times internal booster for liquid crystal drive voltage (programmable)

HD66750S

- 64-step contrast adjuster and voltage followers to decrease direct current flow in the LCD drive bleeder-resistors
- Power-save functions such as the standby mode and sleep mode supported
- Programmable drive duty ratios and bias values displayed on LCD
- 128-segment × 128-common liquid crystal display driver
- n-raster-row AC liquid-crystal drive (C-pattern waveform drive)
- Duty ratio and drive bias (selectable by program)
- Window cursor display supported by hardware
- Vertical smooth scroll
- Partial smooth scroll control (fixed display of graphics icons)
- Vertical double-height display by each display raster-row
- Black-and-white reversed display
- No wait time for instruction execution and RAM access
- Internal oscillation and hardware reset
- Shift change of segment and common driver

Table 1 Programmable Display Sizes and Duty Ratios

Duty Ratio	Optimum Drive Bias	Bit-map Display Area	Graphics Display				
			12 x 12-dot Font Width	12 x 13-dot Font Width	14 x 15-dot Font Width	16 x 16-dot Font Width	8 x 10-dot Font Width
1/16	1/5	128 x 16 dots	1 line x 10 characters	1 line x 10 characters	1 line x 9 characters	1 line x 8 characters	1 line x 16 characters
1/24	1/6	128 x 24 dots	2 lines x 10 characters	1 line x 10 characters	1 line x 9 characters	1 line x 8 characters	2 lines x 16 characters
1/32	1/6	128 x 32 dots	2 lines x 10 characters	2 lines x 10 characters	2 lines x 9 characters	2 lines x 8 characters	3 lines x 16 characters
1/72	1/9	128 x 72 dots	6 lines x 10 characters	5 lines x 10 characters	4 lines x 9 characters	4 lines x 8 characters	7 lines x 16 characters
1/80	1/10	128 x 80 dots	6 lines x 10 characters	6 lines x 10 characters	5 lines x 9 characters	5 lines x 8 characters	8 lines x 16 characters
1/88	1/10	128 x 88 dots	7 lines x 10 characters	6 lines x 10 characters	5 lines x 9 characters	5 lines x 8 characters	8 lines x 16 characters
1/96	1/10	128 x 96 dots	8 lines x 10 characters	7 lines x 10 characters	6 lines x 9 characters	6 lines x 8 characters	9 lines x 16 characters
1/104	1/11	128 x 104 dots	8 lines x 10 characters	8 lines x 10 characters	6 lines x 9 characters	6 lines x 8 characters	10 lines x 16 characters
1/112	1/11	128 x 112 dots	9 lines x 10 characters	8 lines x 10 characters	7 lines x 9 characters	7 lines x 8 characters	11 lines x 16 characters
1/120	1/11	128 x 120 dots	10 lines x 10 characters	9 lines x 10 characters	8 lines x 9 characters	7 lines x 8 characters	12 lines x 16 characters
1/128	1/11	128 x 128 dots	10 lines x 10 characters	9 lines x 10 characters	8 lines x 9 characters	8 lines x 8 characters	12 lines x 16 characters

<Target values>

Total Current Consumption Characteristics (Vcc = 3 V, TYP Conditions, LCD Drive Power Current Included)

Character Display Dot Size	Duty Ratio	R-C Oscillation Frequency	Frame Frequency	Total Current Consumption				
				Internal Logic	LCD Power	Total*	Sleep Mode	Standby Mode
128 x 16 dots	1/16	70 kHz	72 Hz	(15 μA)	(15 μA)	Two-times (45 μA)	(10 μA)	0.1 μA
128 x 24 dots	1/24	70 kHz	72 Hz	(15 μA)	(15 μA)	Two-times (45 μA)	(10 μA)	
128 x 32 dots	1/32	70 kHz	72 Hz	(15 μA)	(15 μA)	Two-times (45 μA)	(10 μA)	
128 x 72 dots	1/72	70 kHz	71 Hz	(40 μA)	(18 μA)	Five-times (130 μA)	(10 μA)	
128 x 80 dots	1/80	70 kHz	73 Hz	(40 μA)	(18 μA)	Five-times (130 μA)	(10 μA)	
128 x 88 dots	1/88	70 kHz	74 Hz	(45 μA)	(18 μA)	Five-times (135 μA)	(10 μA)	
128 x 96 dots	1/96	70 kHz	74 Hz	(45 μA)	(20 μA)	Five-times (145 μA)	(10 μA)	
128 x 104 dots	1/104	70 kHz	73 Hz	(45 μA)	(20 μA)	Five-times (145 μA)	(10 μA)	
128 x 112 dots	1/112	70 kHz	71 Hz	(50 μA)	(25 μA)	Six-times (200 μA)	(10 μA)	
128 x 120 dots	1/120	70 kHz	76 Hz	(50 μA)	(25 μA)	Six-times (200 μA)	(10 μA)	
128 x 128 dots	1/128	70 kHz	72 Hz	(50 μA)	(25 μA)	Six-times (200 μA)	(10 μA)	

Note: When a two-, five-, six-, or seven-times booster is used:
the total current consumption = internal logic current + LCD power current x 2 (two-times booster),
the total current consumption = internal logic current + LCD power current x 5 (five-times booster),
the total current consumption = internal logic current + LCD power current x 6 (six-times booster),
and
the total current consumption = internal logic current + LCD power current x 7 (seven-times booster)

HD66750S

Type Name

Types	External Dimensions	MPU interface	Description
HCD66750SBP	Au-bump chip	8/16-bit parallel and clock synchronized serial	
HWD66750SBP	Au-bump wafer		
HD66750STB0	TCP	8/16-bit parallel	HD66750RTB0 outline compatible
HD66750STB1	TCP	8/16-bit parallel and clock synchronized serial	
HCD66750SWBP	Au-bump chip	8/16-bit parallel, clock synchronized serial and I2C bus	
HWD66750SWBP	Au-bump wafer		
HD66750SWTB1	TCP		

LCD Family Comparison

Items	HD66724	HD66725	HD66726
Character display sizes	12 characters x 3 lines	16 characters x 3 lines	16 characters x 5 lines
Graphic display sizes	72 x 26 dots	96 x 26 dots	96 x 42 dots
Grayscale display	—	—	—
Multiplexing icons	144	192	192
Annunciator	1/2 duty: 144	1/2 duty: 192	1/2 duty: 192
Key scan control	8 x 4	8 x 4	8 x 4
LED control ports	—	—	—
General output ports	3	3	3
Operating power voltages	1.8 V to 5.5 V	1.8 V to 5.5 V	1.8 V to 5.5 V
Liquid crystal drive voltages	3 V to 6.5 V	3 V to 6.5 V	4.5 V to 11 V
Serial bus	Clock-synchronized serial	Clock-synchronized serial	Clock-synchronized serial
Parallel bus	4 bits, 8 bits	4 bits, 8 bits	4 bits, 8 bits
Liquid crystal drive duty ratios	1/2, 10, 18, 26	1/2, 10, 18, 26	1/2, 10, 18, 26, 34, 42
Liquid crystal drive biases	1/4 to 1/6.5	1/4 to 1/6.5	1/2 to 1/8
Liquid crystal drive waveforms	B	B	B
Liquid crystal voltage booster	Single, two-, or three-times	Single, two-, or three-times	Single, two-, three-, or four-times
Bleeder-resistor for liquid crystal drive	Incorporated (external)	Incorporated (external)	Incorporated (external)
Liquid crystal drive operational amplifier	Incorporated	Incorporated	Incorporated
Liquid crystal contrast adjuster	Incorporated	Incorporated	Incorporated
Horizontal smooth scroll	3-dot unit	3-dot unit	—
Vertical smooth scroll	Line unit	Line unit	Line unit
Double-height display	Yes	Yes	Yes
DDRAM	80 x 8	80 x 8	80 x 8
CGROM	20,736	20,736	20,736
CGRAM	384 x 8	384 x 8	480 x 8
SEGRAM	72 x 8	96 x 8	96 x 8
No. of CGROM fonts	240 + 192	240 + 192	240 + 192
No. of CGRAM fonts	64	64	64
Font sizes	6 x 8	6 x 8	6 x 8
Bit map areas	72 x 26	96 x 26	96 x 42
R-C oscillation resistor/ oscillation frequency	External resistor, incorporated (32 kHz)	External resistor, incorporated (32 kHz)	External resistor (50 kHz)
Reset function	External	External	External
Low power control	Partial display off, Oscillation off, Liquid crystal power off, Key wake-up interrupt	Partial display off, Oscillation off, Liquid crystal power off, Key wake-up interrupt	Partial display off, Oscillation off, Liquid crystal power off, Key wake-up interrupt
SEG/COM direction switching	SEG, COM	SEG, COM	SEG, COM
QFP package	—	—	—
TQFP package	—	—	—
TCP package	TCP-146	TCP-170	TCP-188
Bare chip	—	—	Yes
Bumped chip	Yes	Yes	Yes
No. of pins	146	170	188
Chip sizes	10.34 x 2.51	10.97 x 2.51	13.13 x 2.51
Pad intervals	80 μm	80 μm	100 μm

HD66750S

LCD Family Comparison (cont)

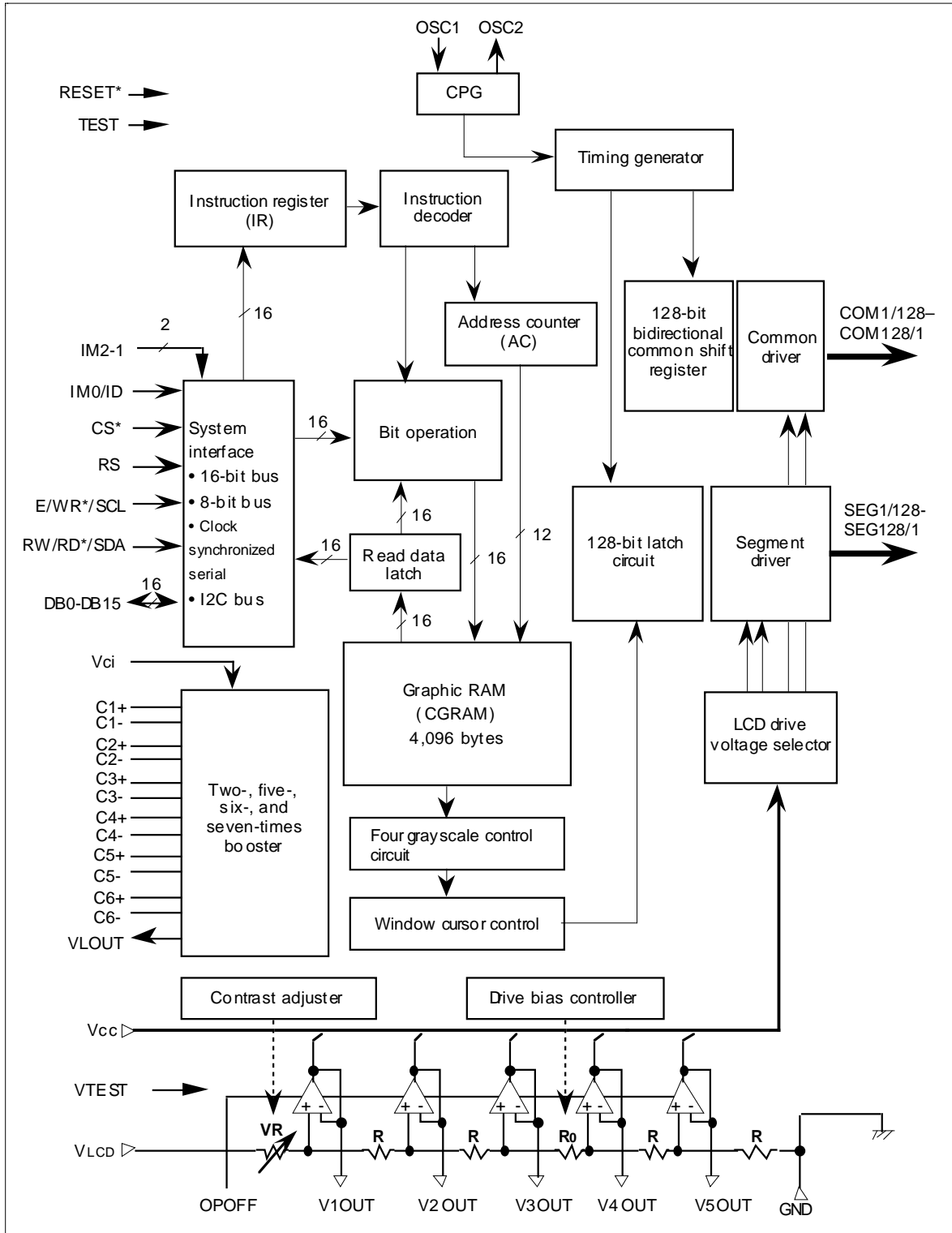
Items	HD66728	HD66729	HD66741
Character display sizes	16 characters x 10 lines	—	—
Graphic display sizes	112 x 80 dots	105 x 68 dots	128 x 80 dots
Grayscale display	—	—	—
Multiplexing icons	—	—	—
Annunciator	—	—	—
Key scan control	8 x 4	—	—
LED control ports	—	—	—
General output ports	3	—	3
Operating power voltages	1.8 V to 5.5 V	1.8 V to 5.5 V	1.8 V to 5.5 V
Liquid crystal drive voltages	4.5 V to 15 V	4.0 V to 13 V	4.5 V to 15 V
Serial bus	Clock-synchronized serial	Clock-synchronized serial	Clock-synchronized serial
Parallel bus	4 bits, 8 bits	4 bits, 8 bits	4 bits, 8 bits
Liquid crystal drive duty ratios	1/8, 16, 24, 32, 40, 48, 56, 64, 72, 80	1/8, 16, 24, 32, 40, 48, 56, 64, 68	1/8, 16, 24, 32, 40, 48, 56, 64, 72, 80
Liquid crystal drive biases	1/4 to 1/10	1/4 to 1/9	1/4 to 1/10
Liquid crystal drive waveforms	B, C	B, C	B, C
Liquid crystal voltage booster	Three-, four-, or five-times	Two-, three-, four-, or five-times	Three-, four-, or five-times
Bleeder-resistor for liquid crystal drive	Incorporated (external)	Incorporated (external)	Incorporated (external)
Liquid crystal drive operational amplifier	Incorporated	Incorporated	Incorporated
Liquid crystal contrast adjuster	Incorporated	Incorporated	Incorporated
Horizontal smooth scroll	—	—	—
Vertical smooth scroll	Line unit	Line unit	Line unit
Double-height display	Yes	Yes	Yes
DDRAM	160 x 8	—	—
CGROM	20,736	—	—
CGRAM	1,120 x 8	1,050 x 8	1,280 x 8
SEGRAM	—	—	—
No. of CGROM fonts	240 + 192	—	—
No. of CGRAM fonts	64	—	—
Font sizes	6 x 8	—	—
Bit map areas	112 x 80	105 x 68	128 x 80
R-C oscillation resistor/ oscillation frequency	External resistor (70–90 kHz)	External resistor (75 kHz)	External resistor (70–90 kHz)
Reset function	External	External	External
Low power control	Partial display off, Oscillation off, Liquid crystal power off, Key wake-up interrupt	Partial display off, Oscillation off, Liquid crystal power off	Partial display off, Oscillation off, Liquid crystal power off
SEG/COM direction switching	SEG, COM	SEG, COM	SEG, COM
QFP package	—	—	—
TQFP package	—	—	—
TCP package	TCP-243	TCP-213	TCP-254
Bare chip	—	—	—
Bumped chip	Yes	Yes	Yes
No. of pins	243	213	243
Chip sizes	13.67 x 2.78	12.23 x 2.52	14.30 x 2.78
Pad intervals	70 μm	70 μm	70 μm

LCD Family Comparison (cont)

Items	HD66750R	HD66751	HD66750S
Character display sizes	—	—	—
Graphic display sizes	128 x 128 dots	128 x 128 dots	128 x 128 dots
Grayscale display	Four monochrome grayscales	Four monochrome grayscales	Four monochrome grayscales
Multiplexing icons	—	—	—
Annunciator	—	—	—
Key scan control	—	—	—
LED control ports	—	—	—
General output ports	—	—	—
Operating power voltages	2.0 V to 3.6 V	2.0 V to 3.6 V	1.8 V to 3.6 V
Liquid crystal drive voltages	5.0 V to 15.5 V	5.0 V to 15.5 V	5.0 V to 15.5 V
Serial bus	—	—	Clock synchronized serial and I2C bus interface
Parallel bus	8 bits, 16 bits	8 bits, 16 bits	8 bits, 16 bits
Liquid crystal drive duty ratios	1/16, 24, 72, 80, 88, 96, 104, 112, 120, 128	1/16, 24, 72, 80, 88, 96, 104, 112, 120, 128	1/16, 24, 72, 80, 88, 96, 104, 112, 120, 128
Liquid crystal drive biases	1/4 to 1/11	1/4 to 1/11	1/4 to 1/11
Liquid crystal drive waveforms	B, C	B, C	B, C
Liquid crystal voltage booster	Two-, five-, six-, or seven- times	Two-, five-, six-, or seven- times	Two-, five-, six-, or seven- times
Bleeder-resistor for liquid crystal drive	Incorporated (external)	Incorporated (external)	Incorporated (external)
Liquid crystal drive operational amplifier	Incorporated	Incorporated	Incorporated
Liquid crystal contrast adjuster	Incorporated	Incorporated	Incorporated
Horizontal smooth scroll	—	—	—
Vertical smooth scroll	Line unit	Line unit	Line unit
Double-height display	Yes	Yes	Yes
DDRAM	—	—	—
CGROM	—	—	—
CGRAM	4,096 x 8	4,096 x 8	4,096 x 8
SEGRAM	—	—	—
No. of CGROM fonts	—	—	—
No. of CGRAM fonts	—	—	—
Font sizes	—	—	—
Bit map areas	128 x 128	128 x 128	128 x 128
R-C oscillation resistor/ oscillation frequency	External resistor (70 kHz)	External resistor (70 kHz)	External resistor (70 kHz)
Reset function	External	External	External
Low power control	Partial display off, Oscillation off, Liquid crystal power off	Partial display off, Oscillation off, Liquid crystal power off	Partial display off, Oscillation off, Liquid crystal power off
SEG/COM direction switching	SEG, COM	SEG, COM	SEG, COM
QFP package	—	—	—
TQFP package	—	—	—
TCP package	TCP-308	—	TCP-308
Bare chip	—	—	—
Bumped chip	Yes	Yes	Yes
No. of pins	308	—	308
Chip sizes	10.97 x 4.13	10.97 x 4.13	8.44 x 2.95
Pad intervals	60 μm	60 μm	50 μm

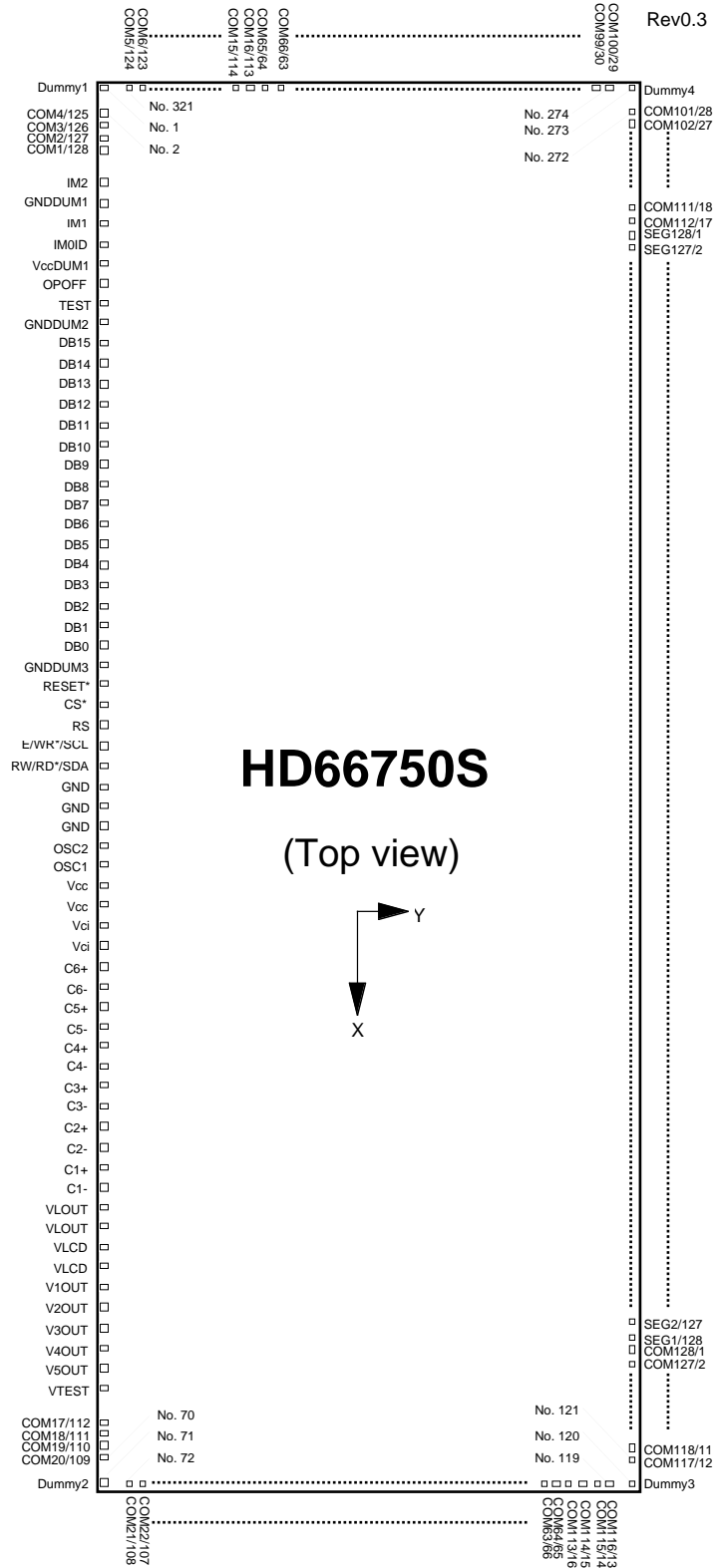
HD66750S

HD66750S Block Diagram



HD66750S Pad Arrangement

- Chip size : 8.44mm x 2.95mm
- Chip thickness : 550um (typ.)
- PAD coordinates : PAD center
- Coordinate origine : Chip center
- Au bump size (Pin number is shown in the bracket)
- (1) 80um x 80um
IM2(6) to VTEST(66)
Dummy1(1), Dummy2(71), Dummy3(120), Dummy4(273)
- (2) 35um x 80um
SEG1/128(133) to SEG128/1(260)
- (3) 80um x 35um
COM21/108(72) to COM116/13(119)
COM100/29(274) to COM5/124(321)
- (4) 45um x 80um
COM4/125(2) to COM1/128(5)
COM17/112(67) to COM20/109(70)
COM117/12(121) to COM128/1(132)
COM112/17(261) to COM101/28(272)
- Au bump pitch : Refer PAD coordinates
- Au bump height : 15um (typ.)



HD66750S

HD66750S Pad Coordinate

(Unit: um)

															Rev 0.1				
No.	pad name	X	Y		No.	pad name	X	Y		No.	pad name	X	Y		No.	pad name	X	Y	
1	Dummy1	-4086	-1297		82	COM31/98	4086	-655		163	SEG31/98	1679	1341		244	SEG112/17	-2381	1341	
2	COM4/125	-3916	-1297		83	COM32/97	4086	-605		164	SEG32/97	1629	1341		245	SEG113/16	-2431	1341	
3	COM3/126	-3856	-1297		84	COM33/96	4086	-555		165	SEG33/96	1579	1341		246	SEG114/15	-2481	1341	
4	COM2/127	-3796	-1297		85	COM34/95	4086	-505		166	SEG34/95	1529	1341		247	SEG115/14	-2531	1341	
5	COM1/128	-3736	-1297		86	COM35/94	4086	-454		167	SEG35/94	1479	1341		248	SEG116/13	-2581	1341	
6	IM2	-3552	-1297		87	COM36/93	4086	-404		168	SEG36/93	1428	1341		249	SEG117/12	-2631	1341	
7	GNDDUM1	-3452	-1297		88	COM37/92	4086	-354		169	SEG37/92	1378	1341		250	SEG118/11	-2682	1341	
8	IM1	-3352	-1297		89	COM38/91	4086	-304		170	SEG38/91	1328	1341		251	SEG119/10	-2732	1341	
9	IMO/ID	-3248	-1297		90	COM39/90	4086	-254		171	SEG39/90	1278	1341		252	SEG120/9	-2782	1341	
10	VCCDUM1	-3148	-1297		91	COM40/89	4086	-204		172	SEG40/89	1228	1341		253	SEG121/8	-2832	1341	
11	OPOFF	-3048	-1297		92	COM41/88	4086	-154		173	SEG41/88	1178	1341		254	SEG122/7	-2882	1341	
12	TEST	-2948	-1297		93	COM42/87	4086	-104		174	SEG42/87	1128	1341		255	SEG123/6	-2932	1341	
13	GNDDUM2	-2847	-1297		94	COM43/86	4086	-53		175	SEG43/86	1078	1341		256	SEG124/5	-2982	1341	
14	DB15	-2743	-1297		95	COM44/85	4086	-3		176	SEG44/85	1028	1341		257	SEG125/4	-3032	1341	
15	DB14	-2598	-1297		96	COM45/84	4086	47		177	SEG45/84	977	1341		258	SEG126/3	-3083	1341	
16	DB13	-2453	-1297		97	COM46/83	4086	97		178	SEG46/83	927	1341		259	SEG127/2	-3133	1341	
17	DB12	-2309	-1297		98	COM47/82	4086	147		179	SEG47/82	877	1341		260	SEG128/1	-3183	1341	
18	DB11	-2164	-1297		99	COM48/81	4086	197		180	SEG48/81	827	1341		261	COM112/17	-3238	1341	
19	DB10	-2019	-1297		100	COM49/80	4086	247		181	SEG49/80	777	1341		262	COM111/18	-3298	1341	
20	DB9	-1874	-1297		101	COM50/79	4086	297		182	SEG50/79	727	1341		263	COM110/19	-3358	1341	
21	DB8	-1729	-1297		102	COM51/78	4086	348		183	SEG51/78	677	1341		264	COM109/20	-3418	1341	
22	DB7	-1585	-1297		103	COM52/77	4086	398		184	SEG52/77	627	1341		265	COM108/21	-3478	1341	
23	DB6	-1440	-1297		104	COM53/76	4086	448		185	SEG53/76	576	1341		266	COM107/22	-3539	1341	
24	DB5	-1295	-1297		105	COM54/75	4086	498		186	SEG54/75	526	1341		267	COM106/23	-3599	1341	
25	DB4	-1150	-1297		106	COM55/74	4086	548		187	SEG55/74	476	1341		268	COM105/24	-3659	1341	
26	DB3	-1005	-1297		107	COM56/73	4086	598		188	SEG56/73	426	1341		269	COM104/25	-3719	1341	
27	DB2	-861	-1297		108	COM57/72	4086	648		189	SEG57/72	376	1341		270	COM103/26	-3779	1341	
28	DB1	-716	-1297		109	COM58/71	4086	698		190	SEG58/71	326	1341		271	COM102/27	-3839	1341	
29	DB0	-585	-1297		110	COM59/70	4086	749		191	SEG59/70	276	1341		272	COM101/28	-3899	1341	
30	GNDDUM3	-484	-1297		111	COM60/69	4086	799		192	SEG60/69	226	1341		273	Dummy4	-4086	1341	
31	RESET*	-384	-1297		112	COM61/68	4086	849		193	SEG61/68	175	1341		274	COM100/29	-4086	1200	
32	CS*	-281	-1297		113	COM62/67	4086	899		194	SEG62/67	125	1341		275	COM99/30	-4086	1150	
33	RS	-137	-1297		114	COM63/66	4086	949		195	SEG63/66	75	1341		276	COM98/31	-4086	1099	
34	E/WR*/SCL	8	-1297		115	COM64/65	4086	999		196	SEG64/65	25	1341		277	COM97/32	-4086	1049	
35	RW/RD*/SDA	153	-1297		116	COM113/16	4086	1049		197	SEG65/64	-25	1341		278	COM96/33	-4086	999	
36	GND	277	-1297		117	COM114/15	4086	1099		198	SEG66/63	-75	1341		279	COM95/34	-4086	949	
37	GND	397	-1297		118	COM115/14	4086	1150		199	SEG67/62	-125	1341		280	COM94/35	-4086	899	
38	GND	517	-1297		119	COM116/13	4086	1200		200	SEG68/61	-175	1341		281	COM93/36	-4086	849	
39	OSC2	642	-1297		120	Dummy3	4086	1341		201	SEG69/60	-226	1341		282	COM92/37	-4086	799	
40	OSC1	787	-1297		121	COM117/12	3899	1341		202	SEG70/59	-276	1341		283	COM91/38	-4086	749	
41	VCC	962	-1297		122	COM118/11	3839	1341		203	SEG71/58	-326	1341		284	COM90/39	-4086	698	
42	VCC	1062	-1297		123	COM119/10	3779	1341		204	SEG72/57	-376	1341		285	COM89/40	-4086	648	
43	Vci	1236	-1297		124	COM120/9	3719	1341		205	SEG73/56	-426	1341		286	COM88/41	-4086	598	
44	Vci	1336	-1297		125	COM121/8	3659	1341		206	SEG74/55	-476	1341		287	COM87/42	-4086	548	
45	C6+	1442	-1297		126	COM122/7	3599	1341		207	SEG75/54	-526	1341		288	COM86/43	-4086	498	
46	C6-	1542	-1297		127	COM123/6	3539	1341		208	SEG76/53	-576	1341		289	COM85/44	-4086	448	
47	C5+	1642	-1297		128	COM124/5	3478	1341		209	SEG77/52	-627	1341		290	COM84/45	-4086	398	
48	C5-	1742	-1297		129	COM125/4	3418	1341		210	SEG78/51	-677	1341		291	COM83/46	-4086	348	
49	C4+	1842	-1297		130	COM126/3	3358	1341		211	SEG79/50	-727	1341		292	COM82/47	-4086	297	
50	C4-	1942	-1297		131	COM127/2	3298	1341		212	SEG80/49	-777	1341		293	COM81/48	-4086	247	
51	C3+	2042	-1297		132	COM128/1	3238	1341		213	SEG81/48	-827	1341		294	COM80/49	-4086	197	
52	C3-	2142	-1297		133	SEG1/128	3183	1341		214	SEG82/47	-877	1341		295	COM79/50	-4086	147	
53	C2+	2241	-1297		134	SEG2/127	3133	1341		215	SEG83/46	-927	1341		296	COM78/51	-4086	97	
54	C2-	2341	-1297		135	SEG3/126	3083	1341		216	SEG84/45	-977	1341		297	COM77/52	-4086	47	
55	C1+	2441	-1297		136	SEG4/125	3032	1341		217	SEG85/44	-1028	1341		298	COM76/53	-4086	-3	
56	C1-	2541	-1297		137	SEG5/124	2982	1341		218	SEG86/43	-1078	1341		299	COM75/54	-4086	-53	
57	VLOUT	2647	-1297		138	SEG6/123	2932	1341		219	SEG87/42	-1128	1341		300	COM74/55	-4086	-104	
58	VLOUT	2747	-1297		139	SEG7/122	2882	1341		220	SEG88/41	-1178	1341		301	COM73/56	-4086	-154	
59	VLCD	2847	-1297		140	SEG8/121	2832	1341		221	SEG89/40	-1228	1341		302	COM72/57	-4086	-204	
60	VLCD	2947	-1297		141	SEG9/120	2782	1341		222	SEG90/39	-1278	1341		303	COM71/58	-4086	-254	
61	V1OUT	3052	-1297		142	SEG10/119	2732	1341		223	SEG91/38	-1328	1341		304	COM70/59	-4086	-304	
62	V2OUT	3152	-1297		143	SEG11/118	2682	1341		224	SEG92/37	-1378	1341		305	COM69/60	-4086	-354	
63	V3OUT	3252	-1297		144	SEG12/117	2631	1341		225	SEG93/36	-1428	1341		306	COM68/61	-4086	-404	
64	V4OUT	3352	-1297		145	SEG13/116	2581	1341		226	SEG94/35	-1478	1341		307	COM67/62	-4086	-454	
65	V5OUT	3452	-1297		146	SEG14/115	2531	1341		227	SEG95/34	-1529	1341		308	COM66/63	-4086	-505	
66	VTEST	3552	-1297		147	SEG15/114	2481	1341		228	SEG96/33	-1579	1341		309	COM65/64	-4086	-555	
67	COM17/112	3736	-1297		148	SEG16/113	2431	1341		229	SEG97/32	-1629	1341		310	COM16/113	-4086	-605	
68	COM18/111	3796	-1297		149	SEG17/112	2381	1341		230	SEG98/31	-1679	1341		311	COM15/114	-4086	-655	
69	COM19/110	3856	-1297		150	SEG18/111	2331	1341		231	SEG99/30	-1729	1341		312	COM14/115	-4086	-705	
70	COM20/109	3916	-1297		151	SEG19/110	2281	1341		232	SEG100/29	-1779	1341		313	COM13/116	-4086	-755	
71	Dummy2	4086	-1297		152	SEG20/109	2230	1341		233	SEG101/28	-1829	1341		314	COM12/117	-4086	-805	
72	COM21/108	4086	-1156		153	SEG21/108	2180	1341		234	SEG102/27	-1880	1341		315	COM11/118	-4086	-855	
73	COM22/107	4086	-1106		154	SEG22/107	2130	1341		235	SEG103/26	-1930	1341		316	COM10/119	-4086	-905	
74	COM23/106	4086	-1056		155	SEG23/106	2080	1341		236	SEG104/25	-1980	1341		317	COM9/120	-4086	-956	
75	COM24/105	4086	-1006		156	SEG24/105	2030	1341		237	SEG105/24	-2030	1341		318	COM8/121	-4086	-1006	
76	COM25/104	4086	-956		157	SEG25/104	1980	1341		23									

Pin Functions

Table 2 Pin Functional Description

Signals	Number of Pins	I/O	Connected to	Functions																												
IM2, IM1, IM0/ID	3	I	GND or V _{cc}	<p>Selects the MPU interface mode:</p> <table border="1"> <thead> <tr> <th>IM2</th> <th>IM1</th> <th>IM0/ID</th> <th>MPU interface mode</th> </tr> </thead> <tbody> <tr> <td>GND</td> <td>GND</td> <td>GND</td> <td>68-system 16-bit bus interface</td> </tr> <tr> <td>GND</td> <td>GND</td> <td>V_{cc}</td> <td>68-system 8-bit bus interface</td> </tr> <tr> <td>GND</td> <td>V_{cc}</td> <td>GND</td> <td>80-system 16-bit bus interface</td> </tr> <tr> <td>GND</td> <td>V_{cc}</td> <td>V_{cc}</td> <td>80-system 8-bit bus interface</td> </tr> <tr> <td>V_{cc}</td> <td>GND</td> <td>ID</td> <td>Clock synchronized serial interface</td> </tr> <tr> <td>V_{cc}</td> <td>V_{cc}</td> <td>ID</td> <td>I2C bus interface</td> </tr> </tbody> </table> <p>When a serial or I2C bus interface is selected, the IM0 pin is used as the ID setting for a device code.</p>	IM2	IM1	IM0/ID	MPU interface mode	GND	GND	GND	68-system 16-bit bus interface	GND	GND	V _{cc}	68-system 8-bit bus interface	GND	V _{cc}	GND	80-system 16-bit bus interface	GND	V _{cc}	V _{cc}	80-system 8-bit bus interface	V _{cc}	GND	ID	Clock synchronized serial interface	V _{cc}	V _{cc}	ID	I2C bus interface
IM2	IM1	IM0/ID	MPU interface mode																													
GND	GND	GND	68-system 16-bit bus interface																													
GND	GND	V _{cc}	68-system 8-bit bus interface																													
GND	V _{cc}	GND	80-system 16-bit bus interface																													
GND	V _{cc}	V _{cc}	80-system 8-bit bus interface																													
V _{cc}	GND	ID	Clock synchronized serial interface																													
V _{cc}	V _{cc}	ID	I2C bus interface																													
CS*	1	I	MPU	<p>Selects the HD66750S:</p> <p>Low: HD66750S is selected and can be accessed High: HD66750S is not selected and cannot be accessed</p> <p>Must be fixed at GND level when not in use.</p>																												
RS	1	I	MPU	<p>Selects the register.</p> <p>Low: Index/status High: Control</p> <p>Must be fixed at GND level when not in use.</p>																												
E/WR*/SCL	1	I	MPU	<p>For a 68-system bus interface, serves as an enable signal to activate data read/write operation.</p> <p>For an 80-system bus interface, serves as a write strobe signal and writes data at the low level.</p> <p>For clock synchronized serial or I2C bus interface, inputs the serial transfer clock.</p>																												
RW/RD*/SDA	1	I	MPU	<p>For a 68-system bus interface, serves as a signal to select data read/write operation.</p> <p>Low: Write High: Read</p> <p>For an 80-system bus interface, serves as a read strobe signal and reads data at the low level.</p> <p>For clock synchronized serial or I2C bus interface, serves as the bi-directional serial data.</p>																												
DB0–DB15	16	I/O	MPU	<p>Serves as a 16-bit bi-directional data bus.</p> <p>For an 8-bit bus interface, data transfer uses DB15-DB8; fix unused DB7-DB0 to the V_{cc} or GND level.</p> <p>When a serial or I2C bus Interface is used, fix unused DB15-DB0 to the V_{cc} or GND level.</p>																												
COM1/128–COM128/1	128	O	LCD	<p>Output signals for common drive: All the unused pins output unselected waveforms. In the display-off period (D = 0), sleep mode (SLP = 1), or standby mode (STB = 1), all pins output GND level.</p> <p>The CMS bit can change the shift direction of the common signal. For example, if CMS = 0, COM1/128 is COM1, and COM128/1 is COM128. If CMS = 1, COM1/128 is COM128, and COM128/1 is COM1.</p> <p>Note that the start position of the common output is shifted by CN1–CN0 bits.</p>																												

HD66750S

Table 2 Pin Functional Description (cont)

Signals	Number of Pins	I/O	Connected to	Functions
SEG1/128– SEG128/1	128	O	LCD	Output signals for segment drive. In the display-off period ($D = 0$), sleep mode ($SLP = 1$), or standby mode ($STB = 1$), all pins output GND level. The SGS bit can change the shift direction of the segment signal. For example, if $SGS = 0$, SEG1/128 is SEG1. If $SGS = 1$, SEG1/128 is SEG128.
V1OUT–V5 OUT	5	I or O	Open or external bleeder-resistor	Used for output from the internal operational amplifiers when they are used ($OPOFF = GND$); attach a capacitor to stabilize the output. When the amplifiers are not used ($OPOFF = V_{CC}$), V1 to V5 voltages can be supplied to these pins externally.
V_{LCD}	1	—	Power supply	Power supply for LCD drive. $V_{LCD} - GND = 15.5 V$ max.
V_{CC} , GND	2	—	Power supply	V_{CC} : +1.8 V to +3.6 V; GND (logic): 0 V
OSC1, OSC2	2	I or O	Oscillation-resistor or clock	For R-C oscillation using an external resistor, connect an external resistor. For external clock supply, input clock pulses to OSC1.
Vci	1	I	Power supply	Inputs a reference voltage and supplies power to the booster; generates the liquid crystal display drive voltage from the operating voltage. The boosting output voltage must not be larger than the absolute maximum ratings. Must be left disconnected when the booster is not used.
VLOUT	1	O	V_{LCD} pin/booster capacitance	Potential difference between Vci and GND is two- to seven-times-boosted and then output. Magnitude of boost is selected by instruction.
C1+, C1–	2	—	Booster capacitance	External capacitance should be connected here when using the five-times or more booster.
C2+, C2–	2	—	Booster capacitance	External capacitance should be connected here for boosting.
C3+, C3–	2	—	Booster capacitance	External capacitance should be connected here for boosting.
C4+, C4–	2	—	Booster capacitance	External capacitance should be connected here when using the five-times or more booster.
C5+, C5–	2	—	Booster capacitance	External capacitance should be connected here for boosting.
C6+, C6–	2	—	Booster capacitance	External capacitance should be connected here for boosting.
RESET*	1	I	MPU or external R-C circuit	Reset pin. Initializes the LSI when low. Must be reset after power-on.
OPOFF	1	I	V_{CC} or GND	Turns the internal operational amplifier off when $OPOFF = V_{CC}$, and turns it on when $OPOFF = GND$. If the amplifier is turned off ($OPOFF = V_{CC}$), V1 to V5 must be supplied to the V1OUT to V5OUT pins.

Table 2 Pin Functional Description (cont)

Signals	Number of Pins	I/O	Connected to	Functions
VccDUM	1	O	Input pins	Outputs the internal V _{CC} level; shorting this pin sets the adjacent input pin to the V _{CC} level.
GNDDUM	3	O	Input pins	Outputs the internal GND level; shorting this pin sets the adjacent input pin to the GND level.
Dummy	4	—	—	Dummy pad. Must be left disconnected.
TEST	1	I	GND	Test pin. Must be fixed at GND level.
VTEST	1	—	—	Test pin. Must be left disconnected. When the internal operational amplifier is used, apply 1.2 V to 1.3 V for low-voltage supply (V _{CC} < 2.5 V).

HD66750S

Block Function Description

System Interface

The HD66750S has five high-speed system interfaces: an 80-system 16-bit/8-bit bus, a 68-system 16-bit/8-bit bus and clock synchronized serial interface bus. The interface mode is selected by the IM2-0 pins.

The HD66750S has three 16-bit registers: an index register (IR), a write data register (WDR), and a read data register (RDR). The IR stores index information from the control registers and the CGRAM. The WDR temporarily stores data to be written into control registers and the CGRAM, and the RDR temporarily stores data read from the CGRAM. Data written into the CGRAM from the MPU is first written into the WDR and then is automatically written into the CGRAM by internal operation. Data is read through the RDR when reading from the CGRAM, and the first read data is invalid and the second and the following data are normal. When a logic operation is performed inside of the HD66750S by using the display data set in the CGRAM and the data written from the MPU, the data read through the RDR is used. Accordingly, the MPU does not need to read data twice nor to fetch the read data into the MPU. This enables high-speed processing.

Execution time for instruction excluding oscillation start is 0 clock cycle and instructions can be written in succession.

Table 3 Register Selection by RS and R/W Bits

R/W Bits	RS Bits	Operations
0	0	Writes indexes into IR
1	0	Disabled
0	1	Writes into control registers and CGRAM through WDR
1	1	Reads from CGRAM through RDR

Bit Operation

The HD66750S supports the following functions: a bit rotation function that writes the data written from the MPU into the CGRAM by moving the display position in bit units, a write data mask function that selects and writes data into the CGRAM in bit units, and a logic operation function that performs logic operations on the display data set in the CGRAM and writes into the CGRAM. With the 16-bit bus interface, these functions can greatly reduce the processing loads of the MPU graphics software and can rewrite the display data in the CGRAM at high speed. For details, see the Graphics Operation Function section.

Address Counter (AC)

The address counter (AC) assigns addresses to the CGRAM. When an address set instruction is written into the IR, the address information is sent from the IR to the AC.

After writing into the CGRAM, the AC is automatically incremented by 1 (or decremented by 1). After reading from the data, the RDM bit automatically updates or does not update the AC.

Graphic RAM (CGRAM)

The graphic RAM (CGRAM) stores bit-pattern data of 128 x 128 dots. It has two bits/pixel and 4096-byte capacity.

Grayscale Control Circuit

The grayscale control circuit performs four-grayscale control with the frame rate control (FRC) method for four-monochrome grayscale display. For details, see the Four Grayscale Display Function section.

Timing Generator

The timing generator generates timing signals for the operation of internal circuits such as the CGRAM. The RAM read timing for display and internal operation timing by MPU access are generated separately to avoid interference with one another.

Oscillation Circuit (OSC)

The HD66750S can provide R-C oscillation simply through the addition of an external oscillation-resistor between the OSC1 and OSC2 pins. The appropriate oscillation frequency for operating voltage, display size, and frame frequency can be obtained by adjusting the external-resistor value. Clock pulses can also be supplied externally. Since R-C oscillation stops during the standby mode, current consumption can be reduced. For details, see the Oscillation Circuit section.

Liquid Crystal Display Driver Circuit

The liquid crystal display driver circuit consists of 128 common signal drivers (COM1 to COM128) and 128 segment signal drivers (SEG1 to SEG128). When the number of lines are selected by a program, the required common signal drivers automatically output drive waveforms, while the other common signal drivers continue to output unselected waveforms.

Display pattern data is latched when 128-bit data has arrived. The latched data then enables the segment signal drivers to generate drive waveform outputs. The shift direction of 128-bit data can be changed by the SGS bit. The shift direction for the common driver can also be changed by the CMS bit by selecting an appropriate direction for the device mounting configuration.

When multiplexing drive is not used, or during the standby or sleep mode, all the above common and segment signal drivers output the GND level, halting the display.

Booster (DC-DC Converter)

The booster generates two-, five-, six-, or seven-times voltage input to the Vci pin. With this, both the internal logic units and LCD drivers can be controlled with a single power supply. Boost output level from two-times to seven-times boost can be selected by software. For details, see the Power Supply for Liquid Crystal Display Drive section.

HD66750S

V-Pin Voltage Follower

A voltage follower for each voltage level (V1 to V5) reduces current consumption by the LCD drive power supply circuit. No external resistors are required because of the internal bleeder-resistor, which generates different levels of LCD drive voltage. This internal bleeder-resistor can be software-specified from 1/4 bias to 1/11 bias, according to the liquid crystal display drive duty value. The voltage followers can be turned off while multiplexing drive is not being used. For details, see the Power Supply for Liquid Crystal Display Drive section.

Contrast Adjuster

The contrast adjuster can be used to adjust LCD contrast in 64 steps by varying the LCD drive voltage by software. This can be used to select an appropriate LCD brightness or to compensate for temperature.

Block Function Description

Table 4 Relationship between Display Position and CGRAM Address

Segment Driver	SEG1/128	SEG2/127	SEG3/126	SEG4/125	SEG5/124	SEG6/123	SEG7/122	SEG8/121	SEG9/120	...	SEG16/113	SEG17/112	...	SEG24/105	SEG121/8	...	SEG128/1
Bit	SGS="0"	D0, D1, D2, D3, D4, D5, D6, D7, D8, D9, D10, D11, D12, D13, D14, D15	D0, D1, D2, D3, D4, D5, D6, D7, D8, D9, D10, D11, D12, D13, D14, D15	D0, D1, D2, D3, D4, D5, D6, D7, D8, D9, D10, D11, D12, D13, D14, D15	D0, D1, D2, D3, D4, D5, D6, D7, D8, D9, D10, D11, D12, D13, D14, D15	D0, D1, D2, D3, D4, D5, D6, D7, D8, D9, D10, D11, D12, D13, D14, D15	D0, D1, D2, D3, D4, D5, D6, D7, D8, D9, D10, D11, D12, D13, D14, D15	D0, D1, D2, D3, D4, D5, D6, D7, D8, D9, D10, D11, D12, D13, D14, D15	D0, D1, D2, D3, D4, D5, D6, D7, D8, D9, D10, D11, D12, D13, D14, D15	D0, D1, D2, D3, D4, D5, D6, D7, D8, D9, D10, D11, D12, D13, D14, D15	D0, D1, D2, D3, D4, D5, D6, D7, D8, D9, D10, D11, D12, D13, D14, D15	D0, D1, D2, D3, D4, D5, D6, D7, D8, D9, D10, D11, D12, D13, D14, D15	D0, D1, D2, D3, D4, D5, D6, D7, D8, D9, D10, D11, D12, D13, D14, D15	D0, D1, D2, D3, D4, D5, D6, D7, D8, D9, D10, D11, D12, D13, D14, D15	D0, D1, D2, D3, D4, D5, D6, D7, D8, D9, D10, D11, D12, D13, D14, D15	D0, D1, D2, D3, D4, D5, D6, D7, D8, D9, D10, D11, D12, D13, D14, D15	D0, D1, D2, D3, D4, D5, D6, D7, D8, D9, D10, D11, D12, D13, D14, D15	D0, D1, D2, D3, D4, D5, D6, D7, D8, D9, D10, D11, D12, D13, D14, D15
	SGS="1"	D15, D14, D13, D12, D11, D10, D9, D8, D7, D6, D5, D4, D3, D2, D1, D0	D15, D14, D13, D12, D11, D10, D9, D8, D7, D6, D5, D4, D3, D2, D1, D0	D15, D14, D13, D12, D11, D10, D9, D8, D7, D6, D5, D4, D3, D2, D1, D0	D15, D14, D13, D12, D11, D10, D9, D8, D7, D6, D5, D4, D3, D2, D1, D0	D15, D14, D13, D12, D11, D10, D9, D8, D7, D6, D5, D4, D3, D2, D1, D0	D15, D14, D13, D12, D11, D10, D9, D8, D7, D6, D5, D4, D3, D2, D1, D0	D15, D14, D13, D12, D11, D10, D9, D8, D7, D6, D5, D4, D3, D2, D1, D0	D15, D14, D13, D12, D11, D10, D9, D8, D7, D6, D5, D4, D3, D2, D1, D0	D15, D14, D13, D12, D11, D10, D9, D8, D7, D6, D5, D4, D3, D2, D1, D0	D15, D14, D13, D12, D11, D10, D9, D8, D7, D6, D5, D4, D3, D2, D1, D0	D15, D14, D13, D12, D11, D10, D9, D8, D7, D6, D5, D4, D3, D2, D1, D0	D15, D14, D13, D12, D11, D10, D9, D8, D7, D6, D5, D4, D3, D2, D1, D0	D15, D14, D13, D12, D11, D10, D9, D8, D7, D6, D5, D4, D3, D2, D1, D0	D15, D14, D13, D12, D11, D10, D9, D8, D7, D6, D5, D4, D3, D2, D1, D0	D15, D14, D13, D12, D11, D10, D9, D8, D7, D6, D5, D4, D3, D2, D1, D0	D15, D14, D13, D12, D11, D10, D9, D8, D7, D6, D5, D4, D3, D2, D1, D0	D15, D14, D13, D12, D11, D10, D9, D8, D7, D6, D5, D4, D3, D2, D1, D0
COM1	Address: "000"H								"001"H	"002"H	"00F"H						
COM2	Address: "010"H								"011"H	"012"H	"01F"H						
COM3	Address: "020"H								"021"H	"022"H	"02F"H						
COM4	Address: "030"H								"031"H	"032"H	"03F"H						
COM5	Address: "040"H								"041"H	"042"H	"04F"H						
COM6	Address: "050"H								"051"H	"052"H	"05F"H						
COM7	Address: "060"H								"061"H	"062"H	"06F"H						
COM8	Address: "070"H								"071"H	"072"H	"07F"H						
COM9	Address: "080"H								"081"H	"082"H	"08F"H						
COM10	Address: "090"H								"091"H	"092"H	"09F"H						
COM11	Address: "0A0"H								"0A1"H	"0A2"H	"0AF"H						
COM12	Address: "0B0"H								"0B1"H	"0B2"H	"0BF"H						
COM13	Address: "0C0"H								"0C1"H	"0C2"H	"0CF"H						
COM14	Address: "0D0"H								"0D1"H	"0D2"H	"0DF"H						
COM15	Address: "0E0"H								"0E1"H	"0E2"H	"0EF"H						
COM16	Address: "0F0"H								"0F1"H	"0F2"H	"0FF"H						
COM17	Address: "100"H								"101"H	"102"H	"10F"H						
COM18	Address: "110"H								"111"H	"112"H	"11F"H						
COM19	Address: "120"H								"121"H	"122"H	"12F"H						
COM20	Address: "130"H								"131"H	"132"H	"13F"H						
⋮	⋮								⋮	⋮	⋮						
COM125	Address: "7C0"H								"7C1"H	"7C2"H	"7CF"H						
COM126	Address: "7D0"H								"7D1"H	"7D2"H	"7DF"H						
COM127	Address: "7E0"H								"7E1"H	"7E2"H	"7EF"H						
COM128	Address: "7F0"H								"7F1"H	"7F2"H	"7FF"H						

Table 5 Relationship between CGRAM Data and Display Contents

Upper bit	Lower bit	LCD
0	0	Non-selection display (unlit)
0	1	1/3 or 1/2 level grayscale display (selected by the GS bit)
1	0	2/3 level gray scale
1	1	Selection display (lit)

Note : Upper bits: DB 15, DB13, DB11, DB9, DB7, DB5, DB3, DB1
 Lower bits: DB14, DB12, DB10, DB8, DB6, DB4, DB2, DB0

HD66750S

Instructions

Outline

The HD66750S uses the 16-bit bus architecture. Before the internal operation of the HD66750S starts, control information is temporarily stored in the registers described below to allow high-speed interfacing with a high-performance microcomputer. The internal operation of the HD66750S is determined by signals sent from the microcomputer. These signals, which include the register selection signal (RS), the read/write signal (R/W), and the data bus signals (DB15 to DB0), make up the HD66750S instructions. There are seven categories of instructions that:

- Specify the index
- Read the status
- Control the display
- Control power management
- Process the graphics data
- Set internal CGRAM addresses
- Transfer data to and from the internal CGRAM

Normally, instructions that write data are used the most. However, an auto-update of internal CGRAM addresses after each data write can lighten the microcomputer program load.

Because instructions are executed in 0 cycles, they can be written in succession.

Instruction Descriptions

Index (IR)

The index instruction specifies the RAM control indexes (R00 to R12). It sets the register number in the range of 00000 to 10010 in binary form.

R/W	RS	DB15	DB14	DB13	DB12	DB11	DB10	DB9	DB8	DB7	DB6	DB5	DB4	DB3	DB2	DB1	DB0
0	0	*	*	*	*	*	*	*	*	*	*	*	ID4	ID3	ID2	ID1	ID0

Figure 1 Index Instruction

Status Read (SR)

The status read instruction reads the internal status of the HD66750S.

L6–0: Indicate the driving raster-row position where the liquid crystal display is being driven.

C5–0: Read the contrast setting values (CT5–0).

R/W	RS	DB15	DB14	DB13	DB12	DB11	DB10	DB9	DB8	DB7	DB6	DB5	DB4	DB3	DB2	DB1	DB0
1	0	0	L6	L5	L4	L3	L2	L1	L0	0	0	C5	C4	C3	C2	C1	C0

Figure 2 Status Read Instruction

Start Oscillation (R00h)

The start oscillation instruction restarts the oscillator from the halt state in the standby mode. After issuing this instruction, wait at least 10 ms for oscillation to stabilize before issuing the next instruction. (See the Standby Mode section.)

If this register is read forcibly when R/W = 1, 0750H is read.

R/W	RS	DB15	DB14	DB13	DB12	DB11	DB10	DB9	DB8	DB7	DB6	DB5	DB4	DB3	DB2	DB1	DB0
0	1	*	*	*	*	*	*	*	*	*	*	*	*	*	*	*	1
1	1	0	0	0	0	0	1	1	1	0	1	0	1	0	0	0	0

Figure 3 Start Oscillation Instruction

HD66750S

Driver Output Control (R01h)

CMS: Selects the output shift direction of a common driver. When CMS = 0, COM1/128 shifts to COM1, and COM128/1 to COM128. When CMS = 1, COM1/128 shifts to COM128, and COM128/1 to COM1. Output position of a common driver shifts depending on the CN bit setting.

SGS: Selects the output shift direction of a segment driver. When SGS = 0, SEG1/128 shifts to SEG1, and SEG128/1 to SEG128. When SGS = 1, SEG1/128 shifts to SEG128, and SEG128/1 to SEG1.

CN: When CN = 1, the display position is shifted down by 32 raster-rows and display starts from COM33. When the liquid crystal is driven at a low duty ratio in the system wait state, it can be partially displayed at the center of the screen. For details, see the Partial-display-on Function section.

NL3-0: Specify the LCD drive duty ratio. The duty ratio can be adjusted for every eight raster-rows. CGRAM address mapping does not depend on the setting value of the drive duty ratio.

R/W	RS	DB15	DB14	DB13	DB12	DB11	DB10	DB9	DB8	DB7	DB6	DB5	DB4	DB3	DB2	DB1	DB0
0	1	*	*	*	*	*	*	CMS	SGS	*	CN	*	*	NL3	NL2	NL1	NL0

Figure 4 Driver Output Control Instruction

Table 6 NL Bits and Drive Duty

NL3	NL2	NL1	NL0	Display Size	LCD Drive Duty	Common Driver Used
0	0	0	0	128 x 8 dots	1/8 Duty	COM1–COM8
0	0	0	1	128 x 16 dots	1/16 Duty	COM1–COM16
0	0	1	0	128 x 24 dots	1/24 Duty	COM1–COM24
0	0	1	1	128 x 32 dots	1/32 Duty	COM1–COM32
0	1	0	0	128 x 40 dots	1/40 Duty	COM1–COM40
0	1	0	1	128 x 48 dots	1/48 Duty	COM1–COM48
0	1	1	0	128 x 56 dots	1/56 Duty	COM1–COM56
0	1	1	1	128 x 64 dots	1/64 Duty	COM1–COM64
1	0	0	0	128 x 72 dots	1/72 Duty	COM1–COM72
1	0	0	1	128 x 80 dots	1/80 Duty	COM1–COM80
1	0	1	0	128 x 88 dots	1/88 Duty	COM1–COM88
1	0	1	1	128 x 96 dots	1/96 Duty	COM1–COM96
1	1	0	0	128 x 104 dots	1/104 Duty	COM1–COM104
1	1	0	1	128 x 112 dots	1/112 Duty	COM1–COM112
1	1	1	0	128 x 120 dots	1/120 Duty	COM1–COM120
1	1	1	1	128 x 128 dots	1/128 Duty	COM1–COM128

LCD-Driving-Waveform Control (R02h)

B/C: When B/C = 0, a B-pattern waveform is generated and alternates in every frame for LCD drive. When B/C = 1, a C-pattern waveform is generated and alternates in each raster-row specified by bits EOR and NW4–NW0 in the LCD-driving-waveform control register. For details, see the n-raster-row Reversed AC Drive section.

EOR: When the C-pattern waveform is set (B/C = 1) and EOR = 1, the odd/even frame-select signals and the n-raster-row reversed signals are EORed for alternating drive. EOR is used when the LCD is not alternated by combining the set values of the LCD drive duty ratio and the n raster-row. For details, see the n-raster-row Reversed AC Drive section.

NW4–0: Specify the number of raster-rows n that will alternate at the C-pattern waveform setting (B/C = 1). NW4–NW0 alternate for every set value + 1 raster-row, and the first to the 32nd raster-rows can be selected.

R/W	RS	DB15	DB14	DB13	DB12	DB11	DB10	DB9	DB8	DB7	DB6	DB5	DB4	DB3	DB2	DB1	DB0
0	1	*	*	*	*	*	*	*	*	*	B/C	EOR	NW4	NW3	NW2	NW1	NW0

Figure 5 LCD-Driving-Waveform Control Instruction

HD66750S

Table 7 Common Driver Pin Function

Common Driver Pin	Common Driver Pin Function			
	CN = 0 (Normal Output)		CN = 1 (Center Output)	
	CMS = 0	CMS = 1	CMS = 0	CMS = 1
COM1/128	COM1	COM128	COM97	COM96
COM8/121	COM8	COM121	COM104	COM89
COM9/120	COM9	COM120	COM105	COM88
COM16/113	COM16	COM113	COM112	COM81
COM17/112	COM17	COM112	COM113	COM80
COM24/105	COM24	COM105	COM120	COM73
COM25/104	COM25	COM104	(COM121)	COM72
COM32/97	COM32	COM97	(COM128)	COM65
COM33/96	COM33	COM96	COM1	COM64
COM40/89	COM40	COM89	COM8	COM57
COM41/88	COM41	COM88	COM9	COM56
COM48/81	COM48	COM81	COM16	COM49
COM49/80	COM49	COM80	COM17	COM48
COM56/73	COM56	COM73	COM24	COM41
COM57/72	COM57	COM72	COM25	COM40
COM64/65	COM64	COM65	COM32	COM33
COM65/64	COM65	COM64	COM33	COM32
COM72/57	COM72	COM57	COM40	COM25
COM73/56	COM73	COM56	COM41	COM24
COM80/49	COM80	COM49	COM48	COM17
COM81/48	COM81	COM48	COM49	COM16
COM88/41	COM88	COM41	COM56	COM9
COM89/40	COM89	COM40	COM57	COM8
COM96/33	COM96	COM33	COM64	COM1

Table 7 Common Driver Pin Function (cont)

Common Driver Pin	Common Driver Pin Function			
	CN = 0 (Normal Output)		CN = 1 (Center Output)	
	CMS = 0	CMS = 1	CMS = 0	CMS = 1
COM97/32	COM97	COM32	COM65	(COM128)
COM104/25	COM104	COM25	COM72	(COM121)
COM105/24	COM105	COM24	COM73	COM120
COM112/17	COM112	COM17	COM80	COM113
COM113/16	COM113	COM16	COM81	COM112
COM120/9	COM120	COM9	COM88	COM105
COM121/8	COM121	COM8	COM89	COM104
COM128/1	COM128	COM1	COM96	COM97

Power Control (R03h)

BS2-0: The LCD drive bias value is set within the range of a 1/4 to 1/11 bias. The LCD drive bias value can be selected according to its drive duty ratio and voltage. For details, see the Liquid Crystal Display Drive Bias Selector section.

BT1-0: The output factor of VLOUT between two-times, five-times, six-times, and seven-times boost is switched. The LCD drive voltage level can be selected according to its drive duty ratio and bias. Lower amplification of the booster consumes less current.

DC1-0: The operating frequency in the booster is selected. When the boosting operating frequency is high, the driving ability of the booster and the display quality become high, but the current consumption is increased. Adjust the frequency considering the display quality and the current consumption.

AP1-0: The amount of fixed current from the fixed current source in the operational amplifier for V pins (V1 to V5) is adjusted. When the amount of fixed current is large, the driving ability of the booster and the display quality become high, but the current consumption is increased. Adjust the fixed current considering the display quality and the current consumption.

During no display, when AP1-0 = 00, the current consumption can be reduced by ending the operational amplifier and booster operation.

HD66750S

Table 8 BS Bits and LCD Drive Bias Value

BS2	BS1	BS0	LCD Drive Bias Value
0	0	0	1/11 bias drive
0	0	1	1/10 bias drive
0	1	0	1/9 bias drive
0	1	1	1/8 bias drive
1	0	0	1/7 bias drive
1	0	1	1/6 bias drive
1	1	0	1/5 bias drive
1	1	1	1/4 bias drive

Table 9 BT Bits and Output Level

BT1	BT0	V5OUT Output Level
0	0	Two-times boost
0	1	Five-times boost
1	0	Six-times boost
1	1	Seven-times boost

Table 10 DC Bits and Operating Clock Frequency

DC1	DC0	Operating Clock Frequency in the Booster
0	0	32-divided clock
0	1	16-divided clock
1	0	8-divided clock
1	1	4-divided clock

Table 11 AP Bits and Amount of Fixed Current

AP1	AP0	Amount of Fixed Current in the Operational Amplifier
0	0	Operational amplifier and booster do not operate.
0	1	Small
1	0	Middle
1	1	Large

SLP: When SLP = 1, the HD66750S enters the sleep mode, where the internal display operations are halted except for the R-C oscillator, thus reducing current consumption. For details, see the Sleep Mode section. Only the following instructions can be executed during the sleep mode.

Power control (BS2–0, BT1–0, DC1–0, AP1–0, SLP, and STB bits)

During the sleep mode, the other CGRAM data and instructions cannot be updated although they are

retained.

STB: When $STB = 1$, the HD66750S enters the standby mode, where display operation completely stops, halting all the internal operations including the internal R-C oscillator. Further, no external clock pulses are supplied. For details, see the Standby Mode section.

Only the following instructions can be executed during the standby mode.

- a. Standby mode cancel ($STB = 0$)
- b. Start oscillation
- c. Power control ($BS2-0$, $BT1-0$, $DC1-0$, $AP1-0$, SLP , and STB bits)

During the standby mode, the CGRAM data and instructions may be lost. To prevent this, they must be set again after the standby mode is canceled.

R/W	RS	DB15	DB14	DB13	DB12	DB11	DB10	DB9	DB8	DB7	DB6	DB5	DB4	DB3	DB2	DB1	DB0
0	1	*	*	*	BS2	BS1	BS0	BT1	BT0	*	*	DC1	DC0	AP1	AP0	SLP	STB

Figure 6 Power Control Instruction

HD66750S

Contrast Control (R04h)

CT5-0: These bits control the LCD drive voltage (potential difference between V1 and GND) to adjust 64-step contrast. For details, see the Contrast Adjuster section.

R/W	RS	DB15	DB14	DB13	DB12	DB11	DB10	DB9	DB8	DB7	DB6	DB5	DB4	DB3	DB2	DB1	DB0
0	1	*	*	*	*	*	*	*	*	*	*	CT5	CT4	CT3	CT2	CT1	CT0

Figure 7 Contrast Control Instruction

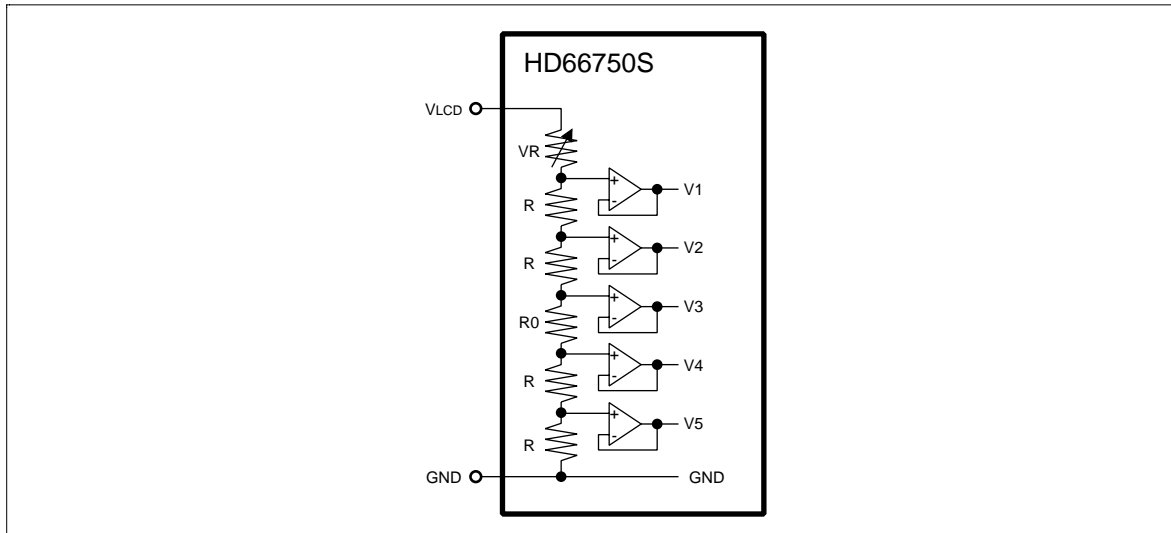


Figure 8 Contrast Adjuster

Table 12 CT Bits and Variable Resistor Value of Contrast Adjuster

CT Set Value						
CT5	CT4	CT3	CT2	CT1	CT0	Variable Resistor (VR)
0	0	0	0	0	0	3.20 x R
0	0	0	0	0	1	3.15 x R
0	0	0	0	1	0	3.10 x R
0	0	0	0	1	1	3.05 x R
0	0	0	1	0	0	3.00 x R
			•			•
			•			•
0	1	1	1	1	1	1.65 x R
1	0	0	0	0	0	1.60 x R
1	0	0	0	0	1	1.55 x R
1	0	0	0	1	0	1.50 x R
			•			•
			•			•
1	1	1	1	0	1	0.15 x R
1	1	1	1	1	0	0.10 x R
1	1	1	1	1	1	0.05 x R

Entry Mode (R05h)
Rotation (R06h)

The write data sent from the microcomputer is modified in the HD66750S and written to the CGRAM. The display data in the CGRAM can be quickly rewritten to reduce the load of the microcomputer software processing. For details, see the Graphics Operation Function section.

I/D: When I/D = 1, the address counter (AC) is automatically incremented by 1 after the data is written to the CGRAM. When I/D = 0, the AC is automatically decremented by 1 after the data is written to the CGRAM.

AM1-0: Set the automatic update method of the AC after the data is written to the CGRAM. When AM1-0 = 00, the data is continuously written in parallel. When AM1-0 = 01, the data is continuously written vertically. When AM1-0 = 10, the data is continuously written vertically with two-word width (32-bit length).

LG1-0: Write again the data read from the CGRAM and the data written from the microcomputer to the CGRAM by a logical operation. When LG1-0 = 00, replace (no logical operation) is done. ORed when LG1-0 = 01, ANDed when LG1-0 = 10, and EORed when LG1-0 = 11.

RT2-0: Write the data sent from the microcomputer to the CGRAM by rotating in a bit unit. RT3-0 specify rotation. For example, when RT2-0 = 001, the data is rotated in the upper side by two bits. When RT2-0 = 111, the data is rotated in the upper side by 14 bits. The upper bit overflow in the most significant bit (MSB) side is rotated in the least significant bit (LSB) side.

HD66750S

R/W	RS	DB15	DB14	DB13	DB12	DB11	DB10	DB9	DB8	DB7	DB6	DB5	DB4	DB3	DB2	DB1	DB0
0	1	*	*	*	*	*	*	*	*	*	*	*	I/D	AM1	AM0	LG1	LG0
0	1	*	*	*	*	*	*	*	*	*	*	*	*	*	RT2	RT1	RT0

Figure 9 Entry Mode and Rotation Instructions

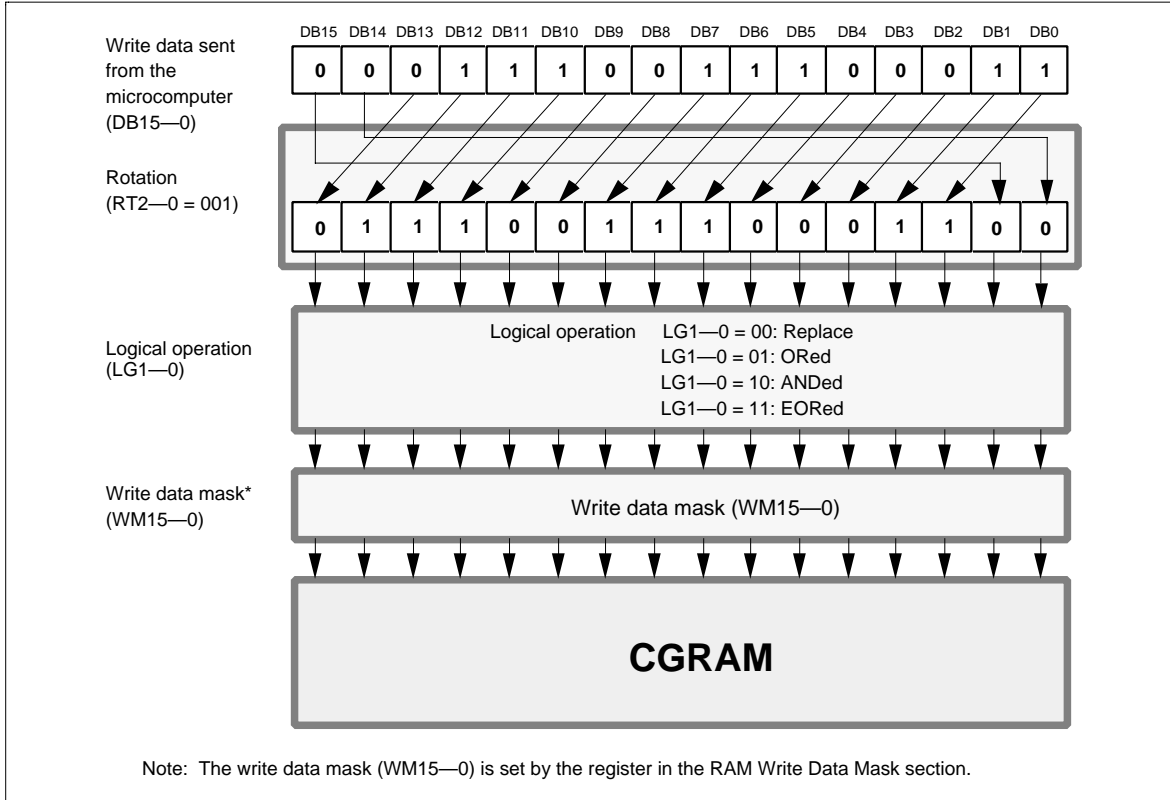


Figure 10 Logical Operation and Rotation for the CGRAM

Display Control (R07h)

PS1-0: When PS1-0 = 01, only the upper eight raster-rows (COM1-COM8) are fixed-displayed in vertical smooth scrolling, and the other display raster-rows are smooth-scrolled. When PS1-0 = 10, the upper 16 raster-rows (COM1-COM16) are fixed-displayed. When PS1-0 = 11, the upper 24 raster-rows (COM1-COM24) are fixed-displayed. For details, see the Partial Smooth Scroll Display Function section.

DHE: When DHE = 1, the double height between raster-rows specified in the Double-height Display Position section is displayed. For details, see the Double-height Display section.

GS: When GS = 0, the grayscale level at a weak-colored display (DB = 01) is 1/3. When GS = 1, the grayscale level at weak-colored display is 1/2, and at strong-colored display (when DB = 10) it is 2/3.

REV: Displays all character and graphics display sections with black-and-white reversal when REV = 1. For details, see the Reversed Display Function section.

D: Display is on when D = 1 and off when D = 0. When off, the display data remains in the CGRAM, and can be displayed instantly by setting D = 1. When D is 0, the display is off with the SEG1 to SEG128 outputs and COM1 to COM128 outputs set to the GND level. Because of this, the HD66750S can control the charging current for the LCD with AC driving.

R/W	RS	DB15	DB14	DB13	DB12	DB11	DB10	DB9	DB8	DB7	DB6	DB5	DB4	DB3	DB2	DB1	DB0
0	1	*	*	*	*	*	*	*	*	*	*	PS1	PS0	DHE	GS	REV	D

Figure 11 Display Control Instruction

HD66750S

Cursor Control (R08h)

C: When C = 1, the window cursor display is started. The display mode is selected by the CM1–0 bits, and the display area is specified in a dot unit by the horizontal cursor position register (HS6–0 and HE6–0 bits) and vertical cursor position register (VS6–0 and VE6–0 bits). For details, see the Window Cursor Display section.

CM1–0: The display mode of the window cursor is selected. These bits can display a white-blink cursor, black-blink cursor, black-and-white reversed cursor, and black-and-white-reversed blink cursor.

R/W	RS	DB15	DB14	DB13	DB12	DB11	DB10	DB9	DB8	DB7	DB6	DB5	DB4	DB3	DB2	DB1	DB0
0	1	*	*	*	*	*	*	*	*	*	*	*	*	*	C	CM1	CM0

Figure 12 Cursor Control Instruction

Table 13 CM Bits and Window Cursor Display Mode

CM1	CM0	Window Cursor Display Mode
0	0	White-blink cursor (alternately blinking between the normal display and an all-white display (all unlit))
0	1	Black-blink cursor (alternately blinking between the normal display and an all-black display (all lit))
1	0	Black-and-white reversed cursor (black-and-white-reversed normal display (no blinking))
1	1	Black-and-white-reversed blink cursor (alternately blinking the black-and-white-reversed normal display)

Double-height Display Position (R09h)

DS6–0: Specify any common raster-row position where the double-height display starts. Note that no scrolling is done by vertical scrolling. For details, see the Double-height Display section.

DE6–0: Specify any common raster-row position where the double-height display ends. Set the end position of the double-height display after the start position of the double-height display, satisfying the relationship $DS6-0 \leq DE6-0$. When the area specifying the double height has an odd number of raster-rows, the double-height display is done for the $DE6-0 + 1$ raster-rows.

When the double-height display is not used, set the DHE bit in the display-control instruction register to 0.

R/W	RS	DB15	DB14	DB13	DB12	DB11	DB10	DB9	DB8	DB7	DB6	DB5	DB4	DB3	DB2	DB1	DB0
0	1	*	DE6	DE5	DE4	DE3	DE2	DE1	DE0	*	DS6	DS5	DS4	DS3	DS2	DS1	DS0

Figure 13 Double-height Display Position Instruction

Vertical Scroll Control (R0Ah)

SL6–0: Specify the display start raster-row for vertical smooth scrolling. Any raster-row from the first to 128th can be selected (table 14). After the 128th raster-row is displayed, the display restarts from the first raster-row. For details, see the Vertical Smooth Scroll section.

In partial smooth scrolling, these bits specify the display start raster-row of the next fixed-display raster-row. For details, see the Partial Smooth Scroll Display Function section.

R/W	RS	DB15	DB14	DB13	DB12	DB11	DB10	DB9	DB8	DB7	DB6	DB5	DB4	DB3	DB2	DB1	DB0
0	1	*	*	*	*	*	*	*	*	*	SL6	SL5	SL4	SL3	SL2	SL1	SL0

Figure 14 Vertical Scroll Control Instruction

Table 14 SL Bits and Display-start Raster-row

SL6	SL5	SL4	SL3	SL2	SL1	SL0	Display-start Raster-row
0	0	0	0	0	0	0	1st raster-row
0	0	0	0	0	0	1	2nd raster-row
0	0	0	0	0	1	0	3rd raster-row
0	0	0	0	0	1	1	4th raster-row
0	0	0	0	1	0	0	5th raster-row
:	:	:	:	:	:	:	:
1	1	1	1	1	1	0	127th raster-row
1	1	1	1	1	1	1	128th raster-row

HD66750S

Horizontal Cursor Position (R0Bh)

Vertical Cursor Position (R0Ch)

HS6-0: Specify the start position for horizontally displaying the window cursor in a dot unit. The cursor is displayed from the 'set value + 1' dot. Ensure that $HS6-0 \leq HE6-0$.

HE6-0: Specify the end position for horizontally displaying the window cursor in a dot unit. The cursor is displayed to the 'set value + 1' dot. Ensure that $HS6-0 \leq HE6-0$.

VS6-0: Specify the start position for vertically displaying the window cursor in a dot unit. The cursor is displayed from the 'set value + 1' dot. Ensure that $VS6-0 \leq VE6-0$.

VE6-0: Specify the end position for vertically displaying the window cursor in a dot unit. The cursor is displayed to the 'set value + 1' dot. Ensure that $VS6-0 \leq VE6-0$. In vertical scrolling, rewrite $VS6-0$ and $VE6-0$ since this window cursor does not move vertically.

R/W	RS	DB15	DB14	DB13	DB12	DB11	DB10	DB9	DB8	DB7	DB6	DB5	DB4	DB3	DB2	DB1	DB0
0	1	*	HE6	HE5	HE4	HE3	HE2	HE1	HE0	*	HS6	HS5	HS4	HS3	HS2	HS1	HS0
0	1	*	VE6	VE5	VE4	VE3	VE2	VE1	VE0	*	VS6	VS5	VS4	VS3	VS2	VS1	VS0

Figure 15 Horizontal Cursor Position and Vertical Cursor Position Instructions

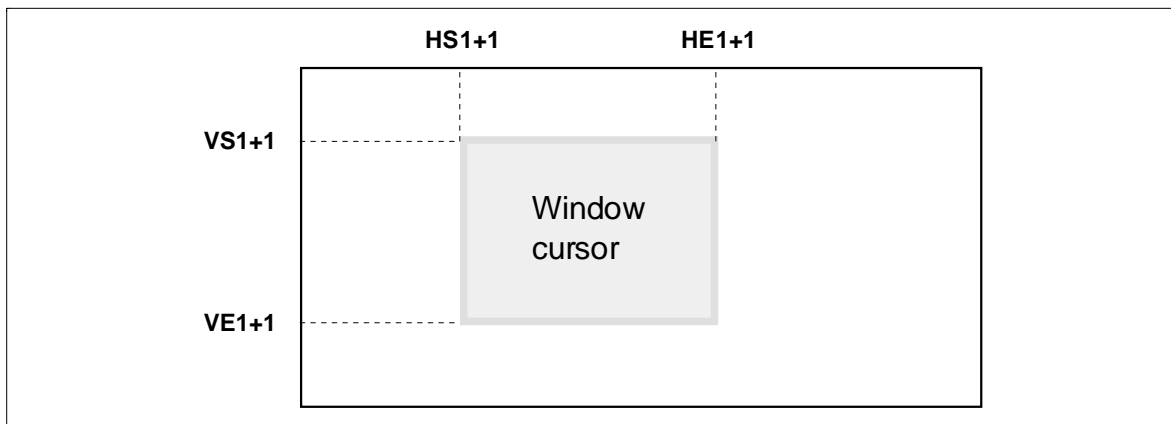


Figure 16 Window Cursor Position

RAM Write Data Mask (R10h)

WM15-0: In writing to the CGRAM, these bits mask writing in a bit unit. When WM15 = 1, this bit masks the write data of DB15 and does not write to the CGRAM. Similarly, the WM14–0 bits mask the write data of DB14–0 in a bit unit. However, when AM = 10, the write data is masked with the set values of VM15–0 for the odd-times CGRAM write. It is also masked automatically with the reversed set values of VM15–0 for the even-times CGRAM write. For details, see the Graphics Operation Function section.

R/W	RS	DB15	DB14	DB13	DB12	DB11	DB10	DB9	DB8	DB7	DB6	DB5	DB4	DB3	DB2	DB1	DB0
0	1	VM 15	VM 14	VM 13	VM 12	VM 11	VM 10	VM 9	VM 8	VM 7	VM 6	VM 5	VM 4	VM 3	VM 2	VM 1	VM 0

Figure 17 RAM Write Data Mask Instruction

RAM Address Set (R11h)

AD10-0: Initially set CGRAM addresses to the address counter (AC). Once the CGRAM data is written, the AC is automatically updated according to the AM1–0 and I/D bit settings. This allows consecutive accesses without resetting addresses. Once the CGRAM data is read, the AC is not automatically updated. CGRAM address setting is not allowed in the sleep mode or standby mode.

R/W	RS	DB15	DB14	DB13	DB12	DB11	DB10	DB9	DB8	DB7	DB6	DB5	DB4	DB3	DB2	DB1	DB0
0	1	*	*	*	*	*	AD 10	AD9	AD8	AD7	AD6	AD5	AD4	AD3	AD2	AD1	AD0

Figure 18 RAM Address Set Instruction

HD66750S

Table 15 AD Bits and CGRAM Settings

AD10–AD0	CGRAM Setting
"000"H–"00F"H	Bitmap data for COM1
"010"H–"01F"H	Bitmap data for COM2
"020"H–"02F"H	Bitmap data for COM3
"030"H–"03F"H	Bitmap data for COM4
:	:
"760"H–"76F"H	Bitmap data for COM119
"770"H–"77F"H	Bitmap data for COM120
"780"H–"78F"H	Bitmap data for COM121
"790"H–"79F"H	Bitmap data for COM122
"7A0"H–"7AF"H	Bitmap data for COM123
"7B0"H–"7BF"H	Bitmap data for COM124
"7C0"H–"7CF"H	Bitmap data for COM125
"7D0"H–"7DF"H	Bitmap data for COM126
"7E0"H–"7EF"H	Bitmap data for COM127
"7F0"H–"7FF"H	Bitmap data for COM128

Write Data to CGRAM (R12h)

WD15-0 : Write 16-bit data to the CGRAM. After a write, the address is automatically updated according to the AM1–0 and I/D bit settings. During the sleep and standby modes, the CGRAM cannot be accessed.

R/W	RS	DB15	DB14	DB13	DB12	DB11	DB10	DB9	DB8	DB7	DB6	DB5	DB4	DB3	DB2	DB1	DB0
0	1	WD 15	WD 14	WD 13	WD 12	WD 11	WD 10	WD 9	WD 8	WD 7	WD 6	WD 5	WD 4	WD 3	WD 2	WD 1	WD 0

Figure 19 Write Data to CGRAM Instruction

Read Data from CGRAM (R12h)

RD15-0 : Read 16-bit data from the CGRAM. When the data is read to the microcomputer, the first-word read immediately after the CGRAM address setting is latched from the CGRAM to the internal read-data latch. The data on the data bus (DB15-0) becomes invalid and the second-word read is normal.

When bit processing, such as a logical operation, is performed within the HD66750S, only one read can be processed since the latched data in the first word is used.

R/W	RS	DB15	DB14	DB13	DB12	DB11	DB10	DB9	DB8	DB7	DB6	DB5	DB4	DB3	DB2	DB1	DB0
1	1	RD 15	RD 14	RD 13	RD 12	RD 11	RD 10	RD 9	RD 8	RD 7	RD 6	RD 5	RD 4	RD 3	RD 2	RD 1	RD 0

Figure 20 Read Data from CGRAM Instruction

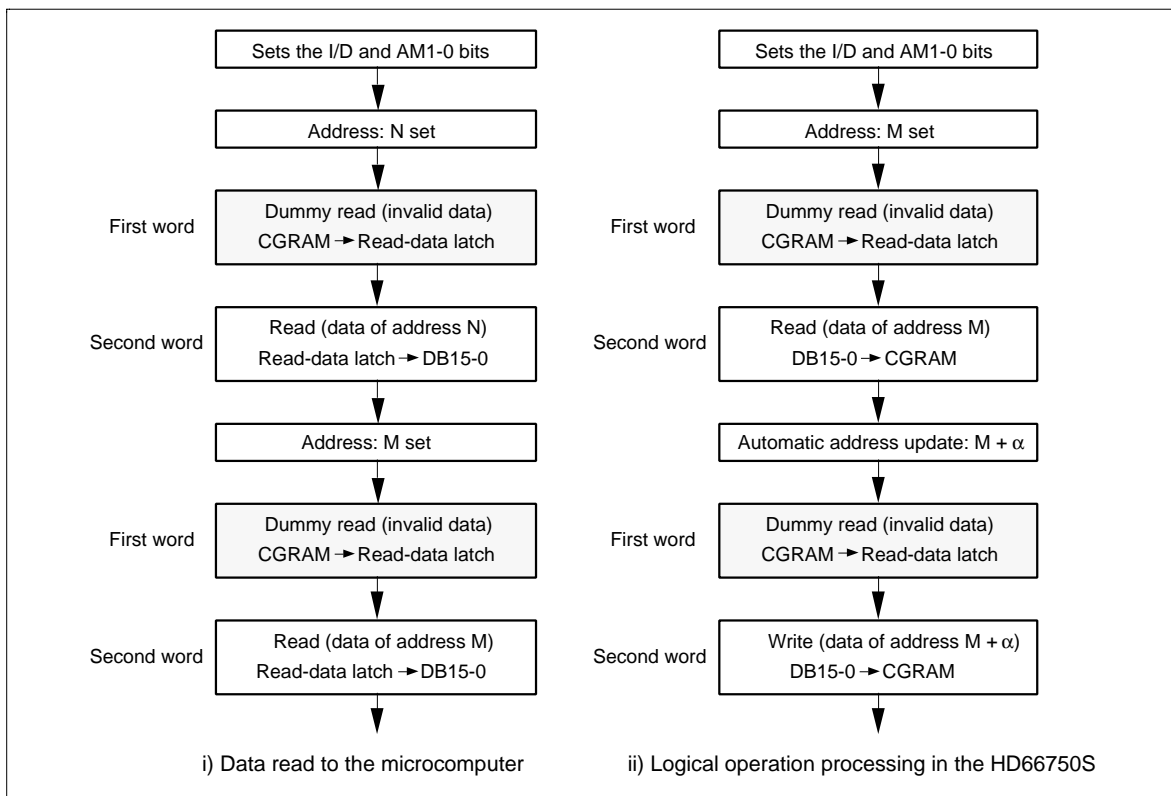


Figure 21 CGRAM Read Sequence

Table 16 Instruction List

Reg. No.	Register Name			Upper Code								Lower Code								Description	Execution Cycle
		R/W	RS	DB15	DB14	DB13	DB12	DB11	DB10	DB9	DB8	DB7	DB6	DB5	DB4	DB3	DB2	DB1	DB0		
IR	Index	0	0	*	*	*	*	*	*	*	*	*	*	ID4	ID3	ID2	ID1	ID0	Sets the index register value.	0	
SR	Status read	1	0	0	L6	L5	L4	L3	L2	L1	L0	0	0	C5	C4	C3	C2	C1	C0	Reads the driving raster-row position (L6-0) and contrast setting (C5-0).	0
R00	Start oscillation	0	1	*	*	*	*	*	*	*	*	*	*	*	*	*	*	*	1	Starts the oscillation mode.	10 ms
	Device code read	1	1	0	0	0	0	0	1	1	1	0	1	0	1	0	0	0	0	Reads 0750H.	0
R01	Driver output control	0	1	*	*	*	*	*	*	CMS	SGS	*	CN	*	*	NL3	NL2	NL1	NL0	Sets the common driver shift direction (CMS), segment driver shift direction (SGS), driving duty ratio (NL3-0), and centering (CN).	0
R02	LCD-driving-waveform control	0	1	*	*	*	*	*	*	*	*	*	B/C	EOR	NW4	NW3	NW2	NW1	NW0	Sets the LCD drive AC waveform (B/C), and EOR output (EOR) or the number of n-raster-rows (NW4-0) at C-pattern AC drive.	0
R03	Power control	0	1	*	*	*	BS2	BS1	BS0	BT1	BT0	*	*	DC1	DC0	AP1	AP0	SLP	STB	Sets the sleep mode (SLP), standby mode (STB), LCD power on (AP1-0), boosting cycle (DC1-0), boosting output multiplying factor (BT1-0), and LCD drive bias value (BS2-0).	0
R04	Contrast control	0	1	*	*	*	*	*	*	*	*	*	*	CT5	CT4	CT3	CT2	CT1	CT0	Sets the contrast adjustment (CT5-0).	0
R05	Entry mode	0	1	*	*	*	*	*	*	*	*	*	*	I/D	AM1	AM0	LG1	LG0	Specifies the logical operation (LG1-0), AC counter mode (AM1-0), and increment/decrement mode (I/D).	0	
R06	Rotation	0	1	*	*	*	*	*	*	*	*	*	*	*	*	RT2	RT1	RT0	Specifies the amount of write-data rotation (RT2-0).	0	
R07	Display control	0	1	*	*	*	*	*	*	*	*	*	*	PS1	PS0	DHE	GS	REV	D	Specifies display on (D), black-and-white reversed display (REV), grayscale mode (GS), double-height display on (DHE), and partial scroll (PS1-0).	0
R08	Cursor control	0	1	*	*	*	*	*	*	*	*	*	*	*	*	C	CM1	CM0	Specifies cursor display on (C) and cursor display mode (CM1-0).	0	
R09	Double-height display position	0	1	*	DE6	DE5	DE4	DE3	DE2	DE1	DE0	*	DS6	DS5	DS4	DS3	DS2	DS1	DS0	Specifies double-height display start (DS6-0) and end (DE6-0).	0
R0A	Vertical scroll	0	1	*	*	*	*	*	*	*	*	*	SL6	SL5	SL4	SL3	SL2	SL1	SL0	Sets the display-start raster-row (SL6-0).	0
R0B	Horizontal cursor position	0	1	*	HE6	HE5	HE4	HE3	HE2	HE1	HE0	*	HS6	HS5	HS4	HS3	HS2	HS1	HS0	Sets horizontal cursor start (HS6-0) and end (HE6-0).	0
R0C	Vertical cursor position	0	1	*	VE6	VE5	VE4	VE3	VE2	VE1	VE0	*	VS6	VS5	VS4	VS3	VS2	VS1	VS0	Sets vertical cursor start (VS6-0) and end (VE6-0).	0
R10	RAM write data mask	0	1	WM	WM	WM	WM	WM	WM	WM9	WM8	WM7	WM6	WM5	WM4	WM3	WM2	WM1	WM0	Specifies write data mask (WM15-0) at RAM write.	0
R11	RAM address set	0	1	*	*	*	*	*	AD10-8 (upper)			AD7-0 (lower)						Initially sets the RAM address to the address counter (AC).	0		
R12	RAM data write	0	1	Write data (upper)								Write data (lower)								Writes data to the RAM.	0
	RAM data read	1	1	Read data (upper)								Read data (lower)								Reads data from the RAM.	0

Note: '*' means 'doesn't matter'.

Reset Function

The HD66750S is internally initialized by RESET input. Because the HD66750S is a busy state during the reset period, no instruction or CGRAM data access from the MPU is accepted. The reset input must be held for at least 1 ms. Do not access the CGRAM or initially set the instructions until the R-C oscillation frequency is stable after power has been supplied (10 ms).

Instruction Set Initialization:

1. Start oscillation executed
2. Driver output control (CN = 0, NL3-0 = 1111, SGS = 0, CMS = 0)
3. B-pattern waveform AC drive (B/C = 0, ECR = 0, NW4-0 = 00000)
4. Power control (DC1-0 = 00, AP1-0 = 00: LCD power off, SLP = 0: Sleep mode off, STB = 0: Standby mode off)
5. 1/11 bias drive (BS2-0 = 000), Two-times boost (BT1-0 = 00), Weak contrast (CT5-0 = 000000)
6. Entry mode set (I/D = 1: Increment by 1, AM1-0 = 00: Horizontal move, LG1-0 = 00: Replace mode)
7. Rotation (RT2-0 = 000: No shift)
8. Display control (DHE = 0: Double-height display off, REV = 0, GS = 0, D = 0: Display off, PS1-0 = 00: Partial scroll off)
9. Cursor control (C = 0: Cursor display off, CM1-0 = 00: White blink cursor)
10. Double-height display position (DS6-0 = 0000000, DE6-0 = 0000000)
11. Vertical scroll control (SL6-0 = 0000000: First raster-row displayed at the top)
12. Window cursor display position (HS6-0 = HE6-0 = VS6-0 = VE6-0 = 0000000)
13. RAM write data mask (WM15-0 = 0000H: No mask)
14. RAM address set (AD10-0 = 000H)

CGRAM Data Initialization:

This is not automatically initialized by reset input but must be initialized by software while display is off (D = 0).

Output Pin Initialization:

1. LCD driver output pins (SEG/COM): Outputs GND level
2. Booster output pins (VLOUT): Outputs Vcc level
3. Oscillator output pin (OSC2): Outputs oscillation signal

HD66750S

Parallel Data Transfer

16-bit Bus Interface

Setting the IM2/IM1/IM0 (interface mode) to the GND/GND/GND level allows 68-system E-clock-synchronized 16-bit parallel data transfer. Setting the IM2/1/0 to the GND/Vcc/GND level allows 80-system 16-bit parallel data transfer. When the number of buses or the mounting area is limited, use an 8-bit bus interface.

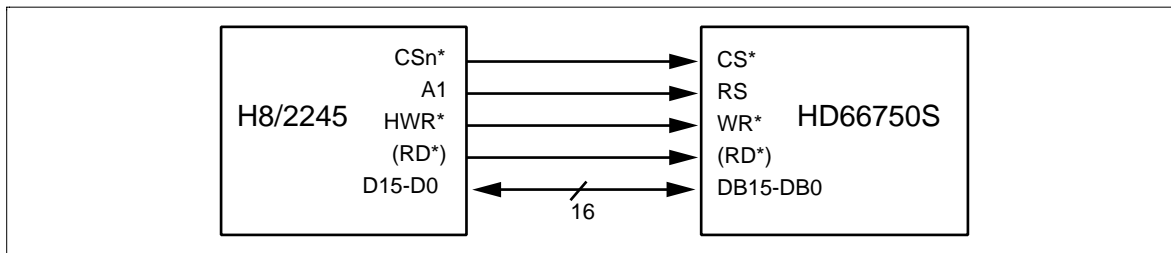


Figure 22 Interface to 16-bit Microcomputer

8-bit Bus Interface

Setting the IM2/1/0 (interface mode) to the GND/GND/Vcc level allows 68-system E-clock-synchronized 8-bit parallel data transfer using pins DB15-DB8. Setting the IM2/1/0 to the GND/Vcc/Vcc level allows 80-system 8-bit parallel data transfer. The 16-bit instructions and RAM data are divided into eight upper/lower bits and the transfer starts from the upper eight bits. Fix unused pins DB7-DB0 to the Vcc or GND level. Note that the upper bytes must be written when those bits are written in the index register.

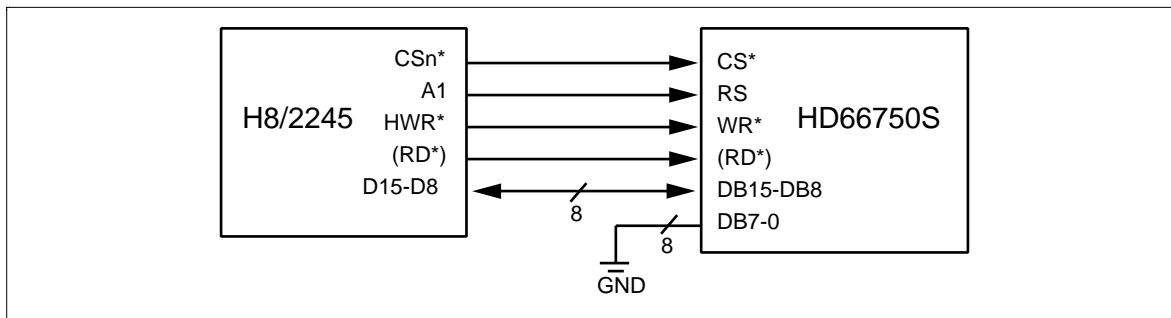


Figure 23 Interface to 8-bit Microcomputer

Note: Transfer synchronization function for an 8-bit bus interface

The HD66750S supports the transfer synchronization function which resets the upper/lower counter to count upper/lower 8-bit data transfer in the 8-bit bus interface. Noise causing transfer mismatch between the eight upper and lower bits can be corrected by a reset triggered by consecutively writing a 00H instruction four times. The next transfer starts from the upper eight bits. Executing synchronization function periodically can recover any runaway in the display system.

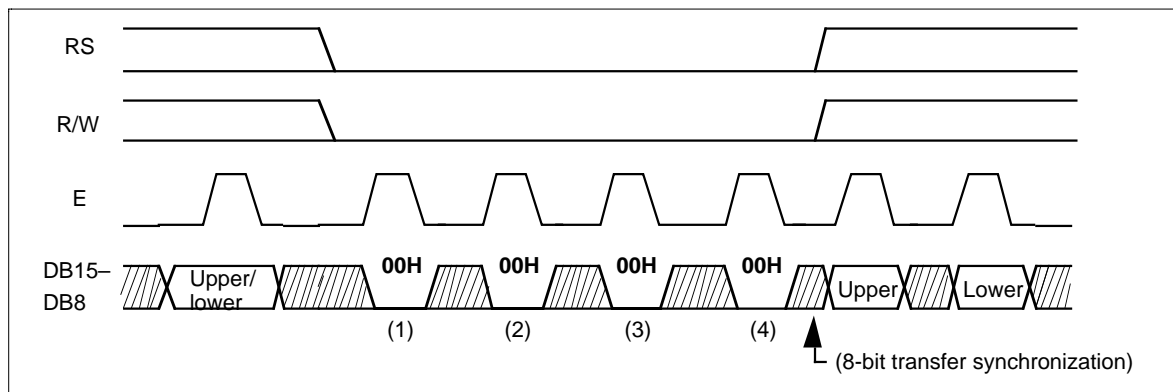


Figure 24 8-bit Transfer Synchronization

HD66750S

Serial Data Transfer (Clock synchronized serial interface)

Setting the IM2/1 to the Vcc/GND level allows standard clock synchronized serial data transfer, using the chip select line (CS*), serial data line (SDA) and serial transfer clock line (SCL). For the clock synchronized serial interface, the IM0/ID pin function uses an ID pin.

The HD66750S initiates clock synchronized serial data transfer by transferring the first byte at the falling edge of CS* input. It ends clock synchronized serial data transfer the rising edge of CS* input.

The HD66750S is selected when the higher 6-bit slave address in the first byte transferred from the transmitting device match the 6-bits device identification code assigned to the HD66750S. The HD66750S, when selected, receive the subsequent data string. The lower 1-bit of the device identification code can be determined by the ID pin. The upper five bits are fixed to 01110. Two different chip address must be assigned to a single HD66750S because the seventh bit of the start byte is used as a register select bit (RS); that is, when RS=0, an index can be written, and when RS=1, control register and CGRAM data can be written or read from CGRAM. Read or write is selected according to the eighth bit of the start byte (R/W bit). The data is received when the R/W bit is 0, and is transmitted when the R/W bit is 1.

After receiving the start byte, the HD66750S receives the subsequent data as an HD66750S index or as CGRAM data.

Five bytes of CGRAM read data after the start byte are invalid. The HD66750S start to read correct GRAM data from sixth byte.

Table 16-a Start Byte Format

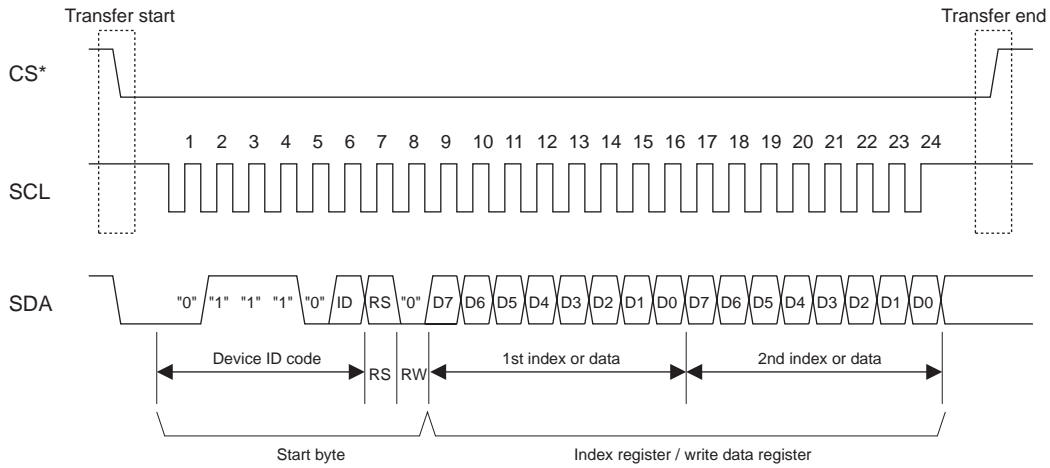
Transfer Bit	S	1	2	3	4	5	6	7	8
Start byte format	Transfer start	Device ID code						RS	R/W
		0	1	1	1	0	ID		

Note: ID bit is selected by the IM0/ID pin.

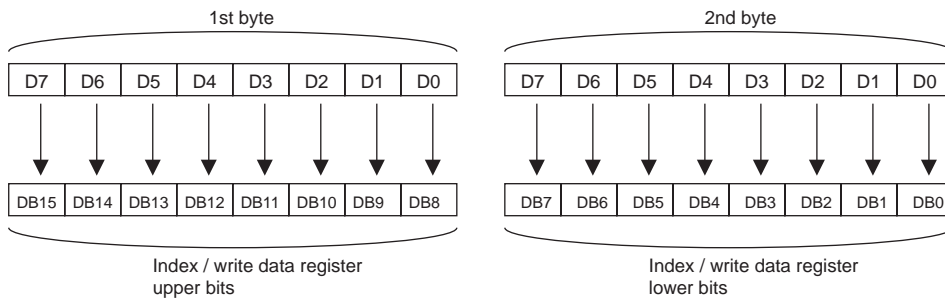
Table 16-b RS and R/W bit function

RS	R/W	Function
0	0	Write index register to index
0	1	Read status
1	0	Write control register or GRAM via write data register
1	1	Read GRAM via read data register

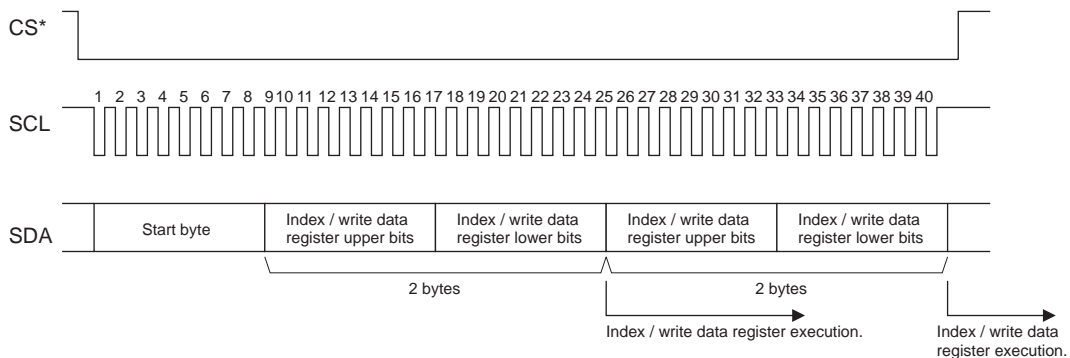
a) Basic data-receive timing through the clock synchronized serial interface



b) 1st and 2nd byte assignment



c) Consecutive data-receive timing through the clock synchronized serial interface

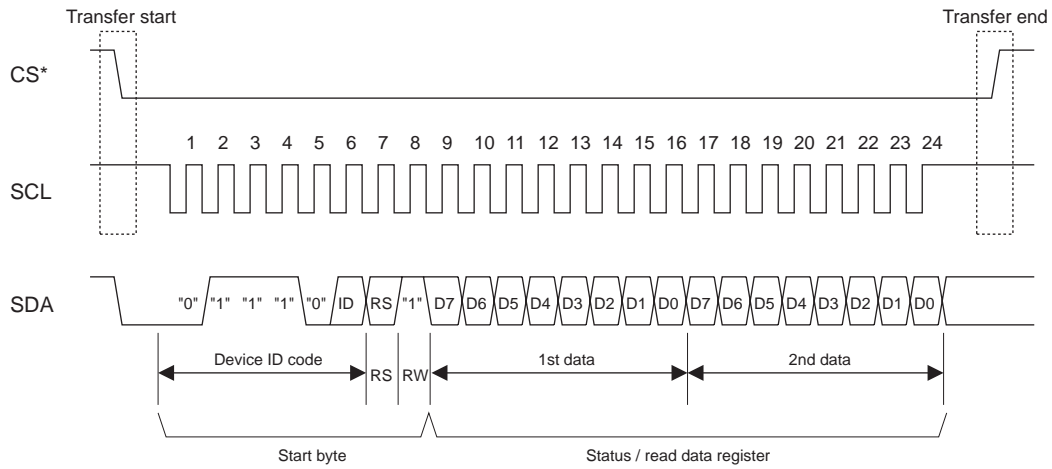


note:

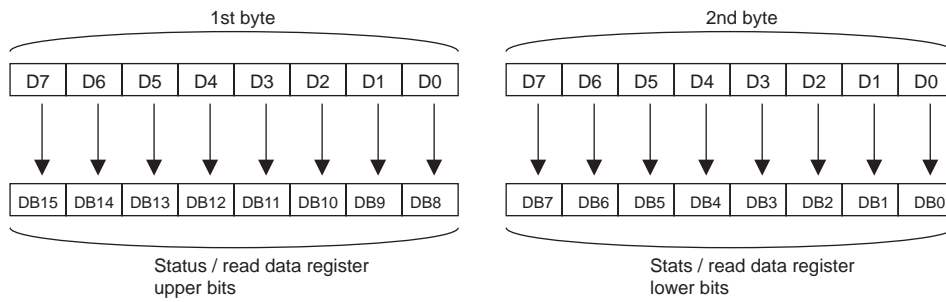
- After start byte transfer, upper bits of the index or write data register should be written first.
- Start byte should be transferred first.
- Index or write data register is executed when upper and lower bits are written. Therefore, data transfer unit has to be twice byte access cycle.

Figure 24-a Clock synchronized serial interface data-receive sequence

a) Basic data-send timing through the clock synchronized serial interface



b) 1st and 2nd byte assignment



c) Consecutive data-send timing through the clock synchronized serial interface

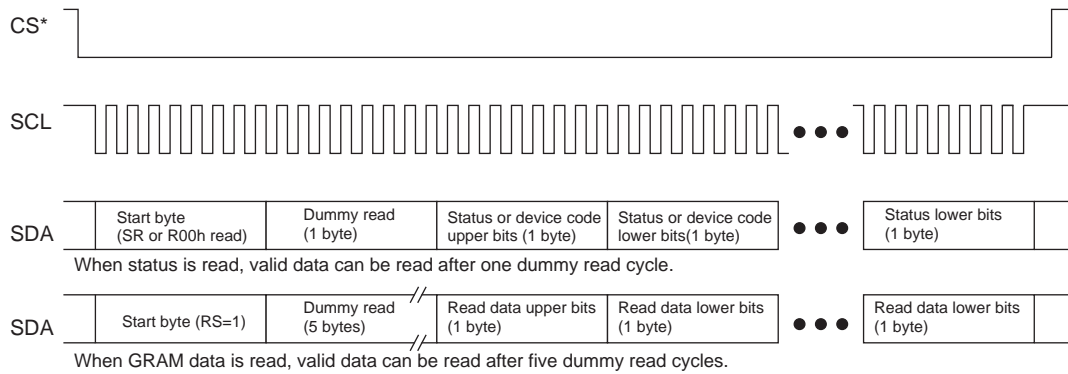


Figure 24-b Clock synchronized serial interface data-send sequence

Serial Data Transfer (I2C bus interface)

Setting the IM2/1 to the Vcc/Vcc level allows I2C bus interface, using the serial data line (SDA) and serial transfer clock line (SCL). For the I2C bus interface, the IM0/ID pin function uses an ID pin.

The HD66750SW is initiated serial data transfer by transferring the first byte when a high SCL level at the falling edge of the SDA input is sampled; it ends serial data transfer when a high SCL level at the rising edge of the SDA input is sampled.

Table 16-c illustrates the start byte of I2C bus interface data and Figure 24-c and 24-d show the I2C bus interface timing sequence.

The HD66750SW is selected when the higher 6-bit slave address in the first byte transferred from the master device match the 6-bits device identification code assigned to the HD66750SW. The HD66750SW, when selected, receive the subsequent data string. The lower 1-bit of the device identification code can be determined by the ID pin; select an appropriate code that is not assigned to any other slave device. The upper five bits are fixed to 01110. One slave address is assigned to a single HD66750SW.

The ninth bit of the first byte is a receive-data acknowledge bit (ACK). When the received slave address matches the device ID code, HD66750SW pulls down the ACK bit to a low level. Therefore, the ACK output buffer is an open-drain structure, only allowing low-level output. However, the ACK bit is undermined immediately after power-on; make sure to initialize the LSI using the RESET* input.

After identifying the address in the first byte, the HD66750SW receives the subsequent data as an HD66750SW index or as RAM data. Having received 8-bit data normally, HD66750SW pulls down the ninth bit (ACK) to a low level. The index register or RAM data is 16-bits data format. Therefore data transfer has to be two 8-bit access cycles after first byte transfer.

Five bytes of GRAM read data after the start byte are invalid. The HD66750SW start to read correct GRAM data from sixth byte.

Table 16-c Start Byte Format

Transfer Bit	S	1	2	3	4	5	6	7	8	9	
Start byte format	Transfer start	Device ID code						RS	R/W	ACK	
		0	1	1	1	0	ID				

Note: ID bit is selected by the IM0/ID pin.

Table 16-d RS and R/W bit function

RS	R/W	Function
0	0	Write index register to index
0	1	Read status
1	0	Write control register or GRAM via write data register
1	1	Read GRAM via read data register

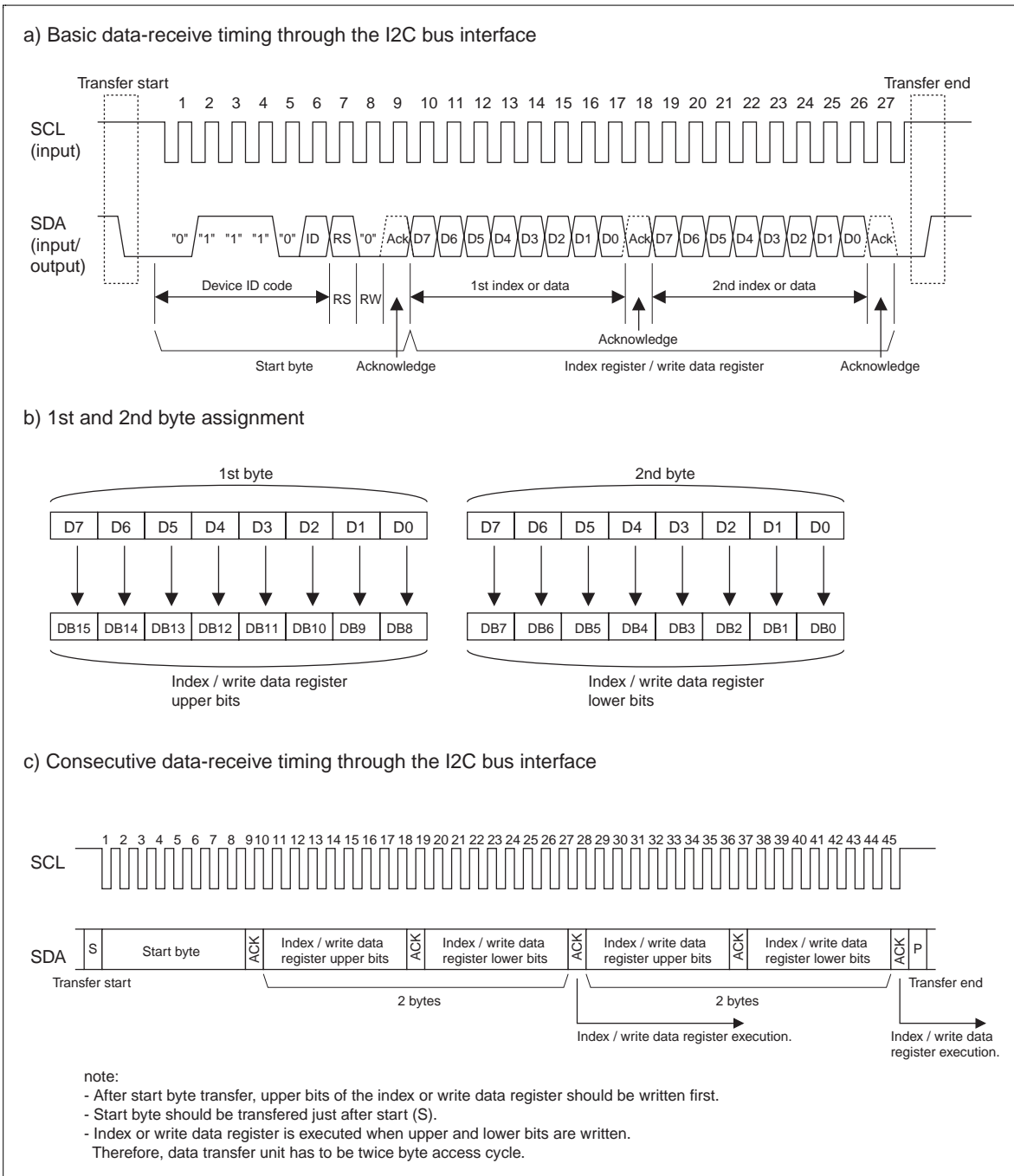
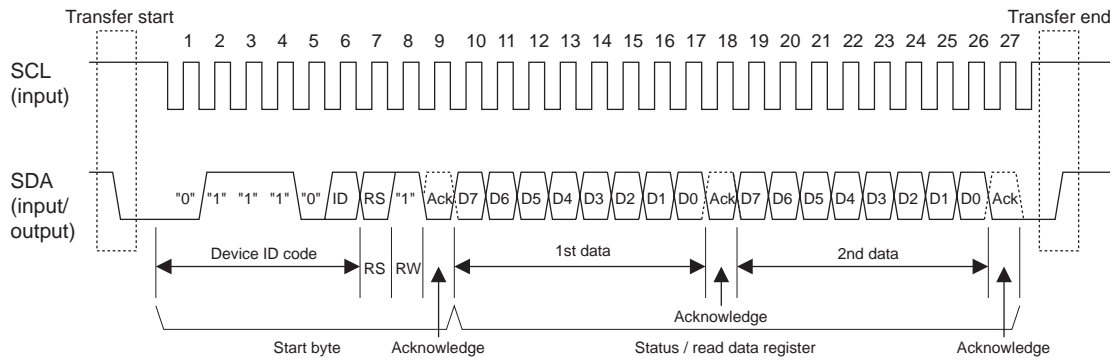
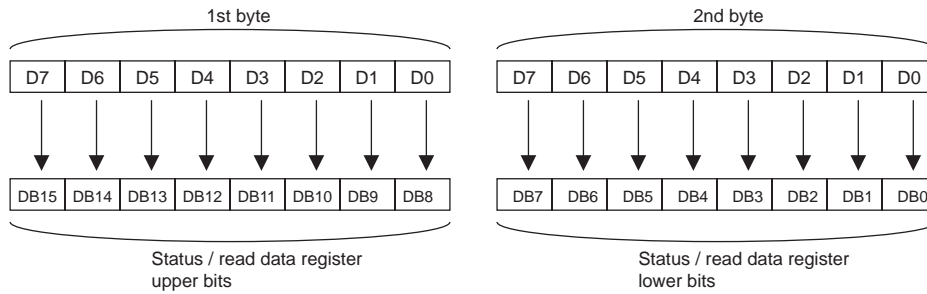


Figure 24-c I2C bus interface data-receive sequence

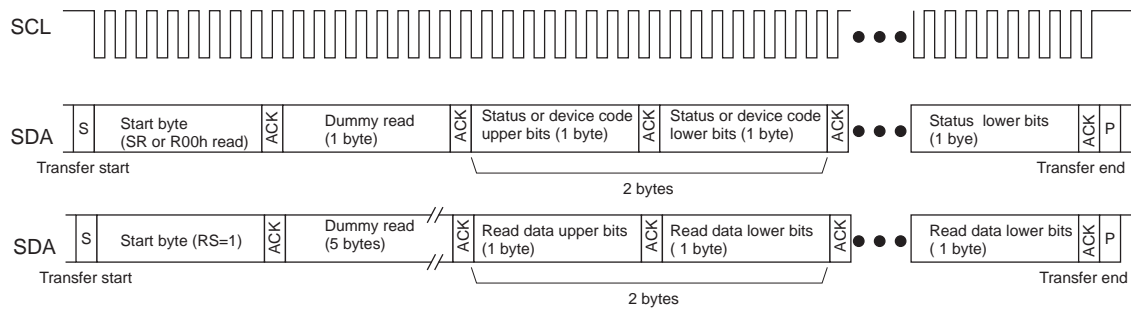
a) Basic data-send timing through the I2C bus interface



b) 1st and 2nd byte assignment



c) Consecutive data-send timing through the I2C bus interface



- note:
- After start byte transfer, upper bits of the status or read data register should be read first.
 - Start byte should be transferred just after start (S).

Figure 24-d I2C bus interface data-send sequence

HD66750S

Graphics Operation Function

The HD66750S can greatly reduce the load of the microcomputer graphics software processing through the 16-bit bus architecture and graphics-bit operation function. This function supports the following:

1. A write data mask function that selectively rewrites some of the bits in the 16-bit write data.
2. A bit rotation function that shifts and writes the data sent from the microcomputer in a bit unit.
3. A logical operation function that writes the data sent from the microcomputer and the original RAM data by a logical operation.

Since the display data in the graphics RAM (CGRAM) can be quickly rewritten, the load of the microcomputer processing can be reduced in the large display screen when a font pattern, such as kanji characters, is developed for any position (BiTBLT processing).

The graphics bit operation can be controlled by combining the entry mode register, the bit set value of the RAM-write-data mask register, and the read/write from the microcomputer.

Table 17 Graphics Operation

Operation Mode	Bit Setting			Operation and Usage
	I/D	AM	LG	
Write mode 1	0/1	00	00	Horizontal data replacement, horizontal-border drawing
Write mode 2	0/1	01	00	Vertical data replacement, font development, vertical-border drawing
Write mode 3	0/1	10	00	Vertical data replacement with two-word width, kanji-font development
Read/write mode 1	0/1	00	01 10 11	Horizontal data replacement with logical operation, horizontal-border drawing
Read/write mode 2	0/1	01	01 10 11	Vertical data replacement with logical operation, vertical-border drawing
Read/write mode 3	0/1	10	01 10 11	Horizontal data replacement with two-word-width logical operation

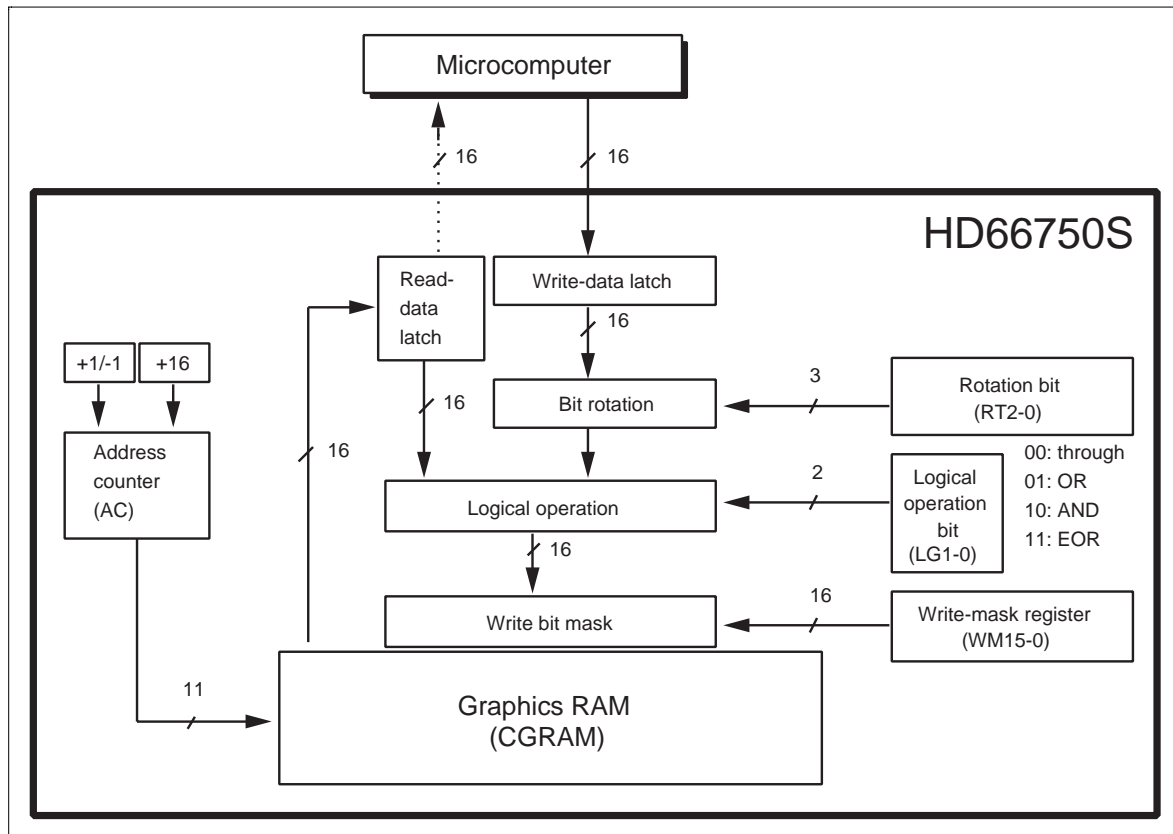


Figure 25 Data Processing Flow of the Graphics Bit Operation

HD66750S

1. Write mode 1: AM1-0 = 00, LG1-0 = 00

This mode is used when the data is horizontally written at high speed. It can also be used to initialize the graphics RAM (CGRAM) or to draw borders. The rotation function (RT2-0) or write-data mask function (WM15-0) are also enabled in these operations. After writing, the address counter (AC) automatically increments by 1 (I/D = 1) or decrements by 1 (I/D = 0), and automatically jumps to the counter edge one-raster-row below after it has reached the left edge of the graphics RAM.

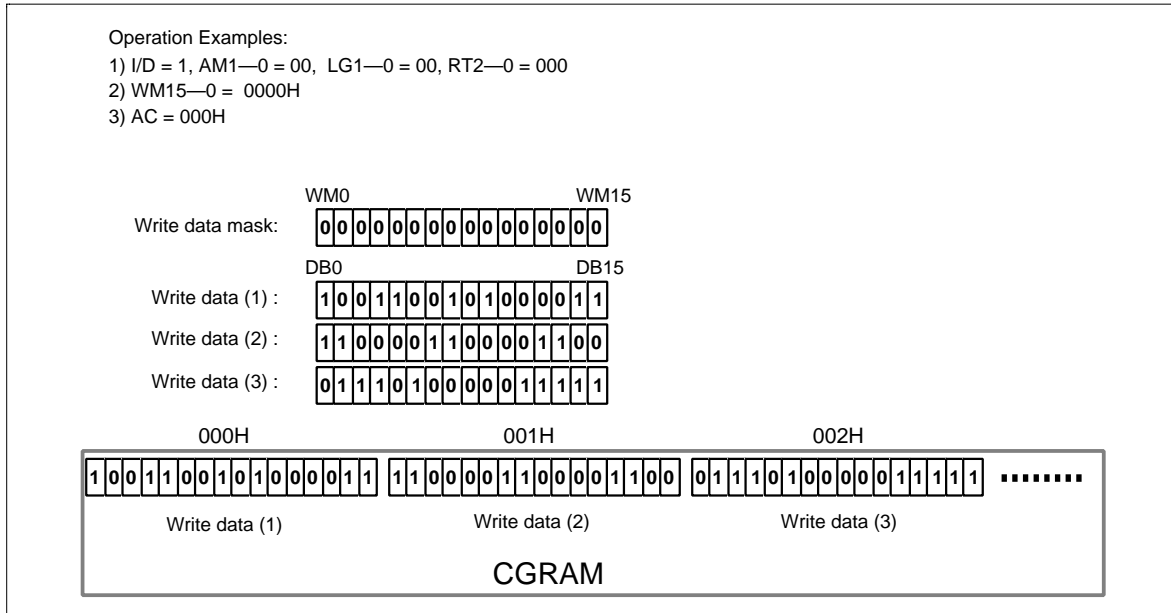


Figure 26 Writing Operation of Write Mode 1

2. Write mode 2: AM1-0 = 01, LG1-0 = 00

This mode is used when the data is vertically written at high speed. It can also be used to initialize the graphics RAM (CGRAM), develop the font pattern in the vertical direction, or draw borders. The rotation function (RT2-0) or write-data mask function (WM15-0) are also enabled in these operations. After writing, the address counter (AC) automatically increments by 16, and automatically jumps to the upper-right edge (I/D = 1) or upper-left edge (I/D = 0) following the I/D bit after it has reached the lower edge of the graphics RAM.

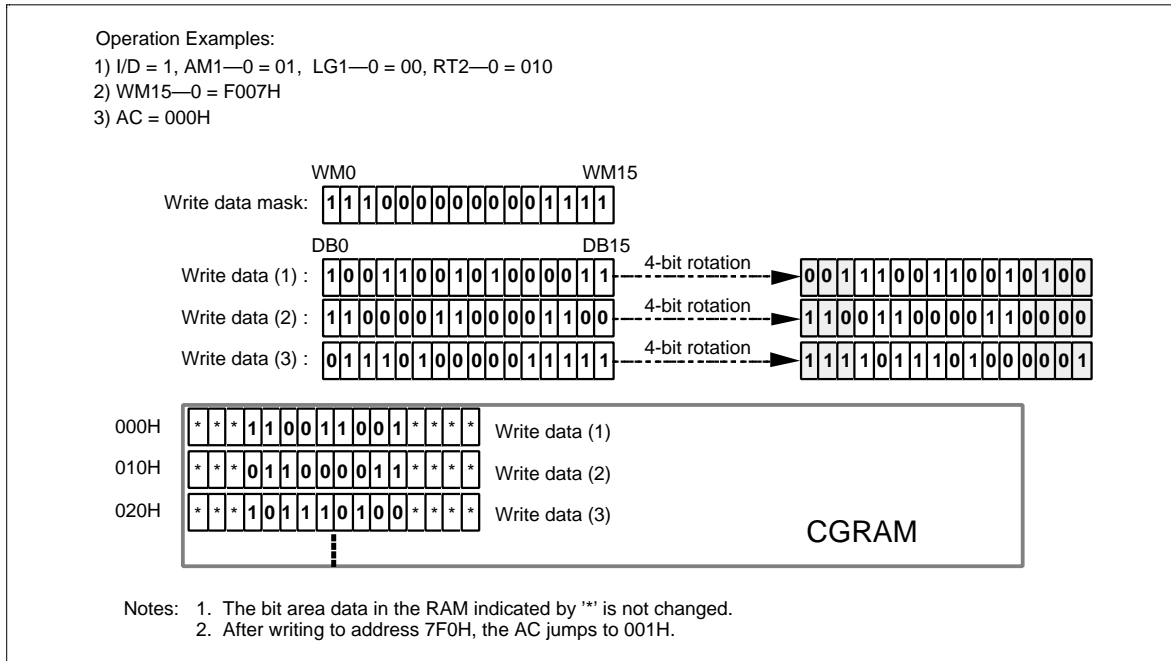


Figure 27 Writing Operation of Write Mode 2

4. Read/Write mode 1: AM1-0 = 00, LG1-0 = 01/10/11

This mode is used when the data is horizontally written at high speed by performing a logical operation with the original data. It reads the display data (original data), which has already been written in the graphics RAM (CGRAM), performs a logical operation with the write data sent from the microcomputer, and rewrites the data to the CGRAM. This mode can read the data during the same bus cycle as for the write operation since the read operation of the original data does not latch the read data into the microcomputer and temporarily holds it in the read-data latch. The rotation function (RT2-0) or write-data mask function (WM15-0) are also enabled in these operations. After writing, the address counter (AC) automatically increments by 1 (I/D = 1) or decrements by 1 (I/D = 0), and automatically jumps to the counter edge one-raster-row below after it has reached the left or right edges of the graphics RAM.

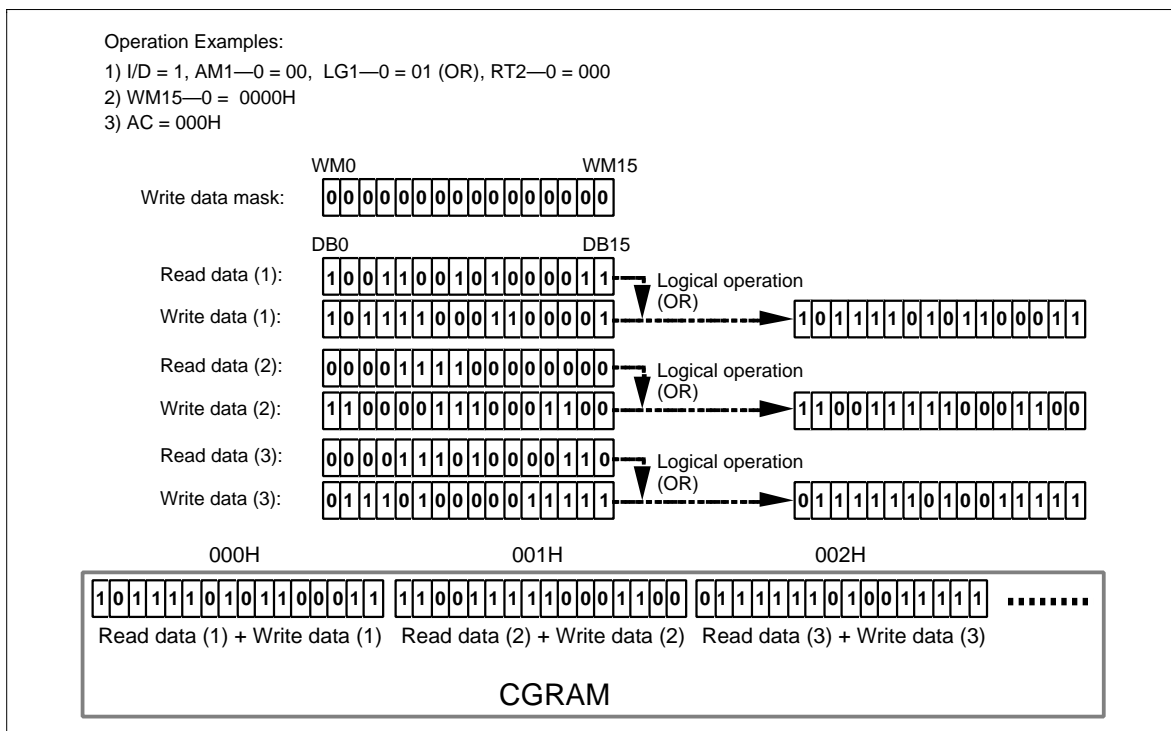


Figure 29 Writing Operation of Read/Write Mode 1

5. Read/Write mode 2: AM1-0 = 01, LG1-0 = 01/10/11

This mode is used when the data is vertically written at high speed by performing a logical operation with the original data. It reads the display data (original data), which has already been written in the graphics RAM (CGRAM), performs a logical operation with the write data sent from the microcomputer, and rewrites the data to the CGRAM. This mode can read the data during the same bus cycle as for the write operation since the read operation of the original data does not latch the read data into the microcomputer and temporarily holds it in the read-data latch. The rotation function (RT2-0) or write-data mask function (WM15-0) are also enabled in these operations. After writing, the address counter (AC) automatically increments by 16, and automatically jumps to the upper-right edge (I/D = 1) or upper-left edge (I/D = 0) following the I/D bit after it has reached the lower edge of the graphics RAM.

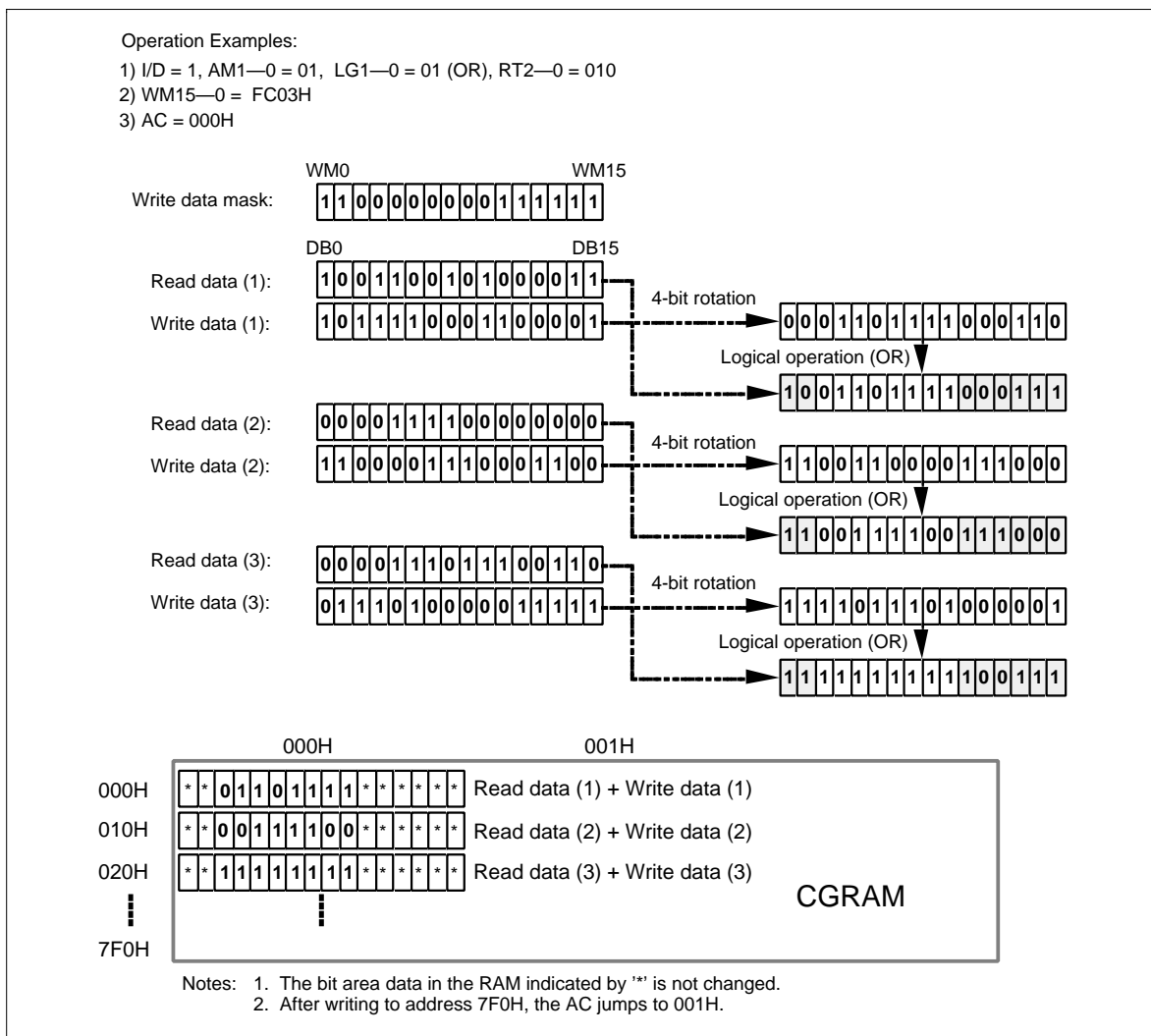


Figure 30 Writing Operation of Read/Write Mode 2

HD66750S

Oscillation Circuit

The HD66750S can either be supplied with operating pulses externally (external clock mode) or oscillate using an internal R-C oscillator with an external oscillator-resistor (external resistor oscillation mode). Note that in R-C oscillation, the oscillation frequency is changed according to the internal capacitance value, the external resistance value, or operating power-supply voltage.

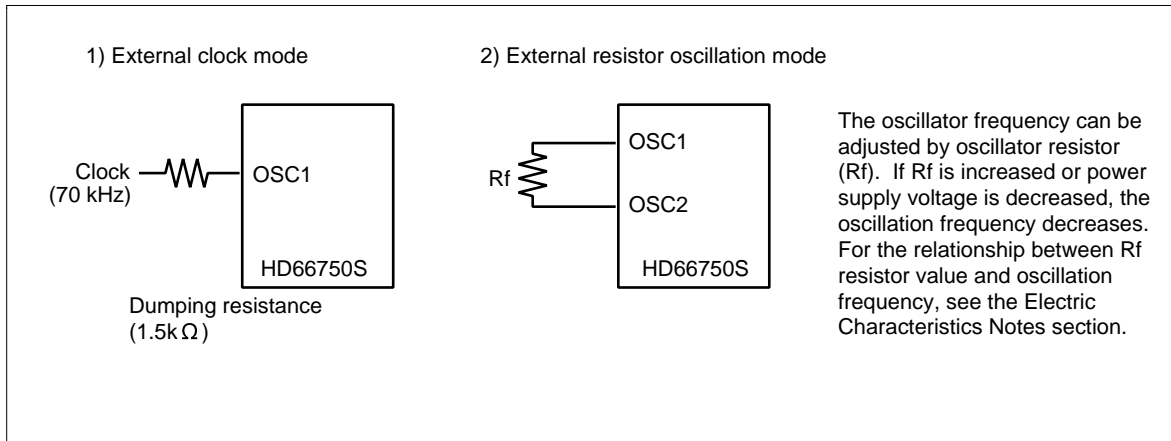


Figure 32 Oscillation Circuits

Table 18 Relationship between Liquid Crystal Drive Duty Ratio and Frame Frequency

LCD Duty	NL3-0 Set Value	Recommended Drive Bias Value	Frame Frequency	One-frame Clock
1/16	0001	1/6	70 Hz	1024
1/24	0010	1/6	70 Hz	1032
1/32	0011	1/6	70 Hz	1024
1/40	0100	1/7	69 Hz	1040
1/48	0101	1/8	71 Hz	1008
1/56	0110	1/8	71 Hz	1008
1/64	0111	1/9	70 Hz	1024
1/72	1000	1/9	71 Hz	1008
1/80	1001	1/10	69 Hz	1040
1/88	1010	1/10	68 Hz	1056
1/96	1011	1/10	68 Hz	1056
1/104	1100	1/11	69 Hz	1040
1/112	1101	1/11	71 Hz	1008
1/120	1110	1/11	67 Hz	1080
1/128	1111	1/11	70 Hz	1024

Note: The frame frequency above is for 72-kHz operation and proportions the oscillation frequency (f_{osc}).

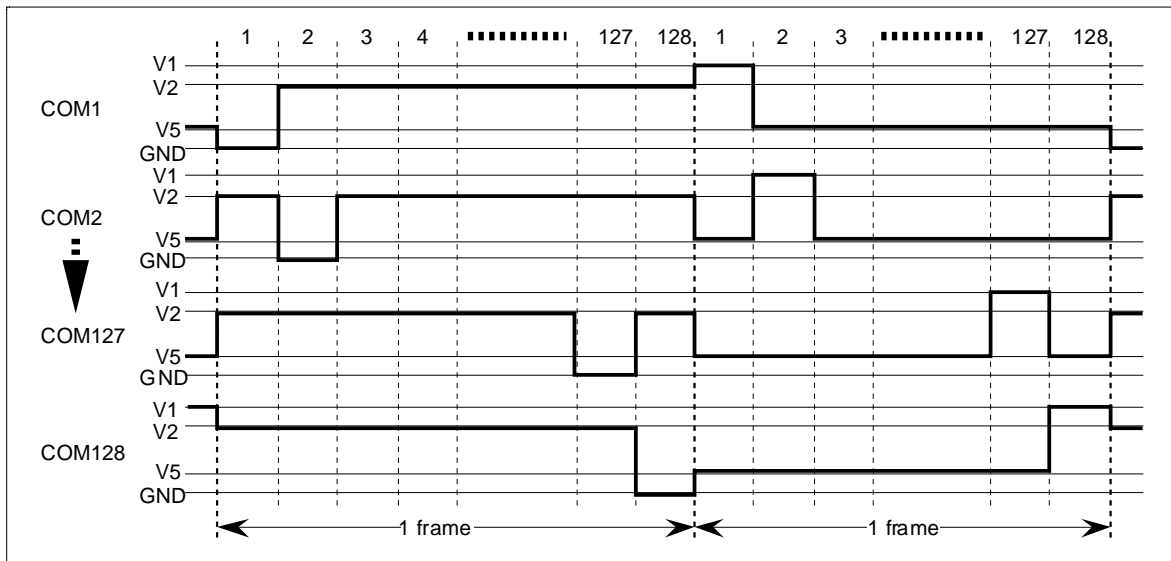


Figure 33 LCD Drive Output Waveform (B-pattern AC Drive with 1/128 Duty Ratio)

HD66750S

n-raster-row Reversed AC Drive

The HD66750S supports not only the LCD reversed AC drive in a one-frame unit (B-pattern waveform) but also the n-raster-row reversed AC drive which alternates in an n-raster-row unit from one to 32 raster-rows (C-pattern waveform). When a problem affecting display quality occurs, such as crosstalk at high-duty driving of more than 1/64 duty, the n-raster-row reversed AC drive (C-pattern waveform) can improve the quality. Determine the number of raster-rows n (NW bit set value + 1) for alternating after confirmation of the display quality with the actual LCD panel. However, if the number of AC raster-rows is reduced, the LCD alternating frequency becomes high. Because of this, the charge or discharge current is increased in the LCD cells.

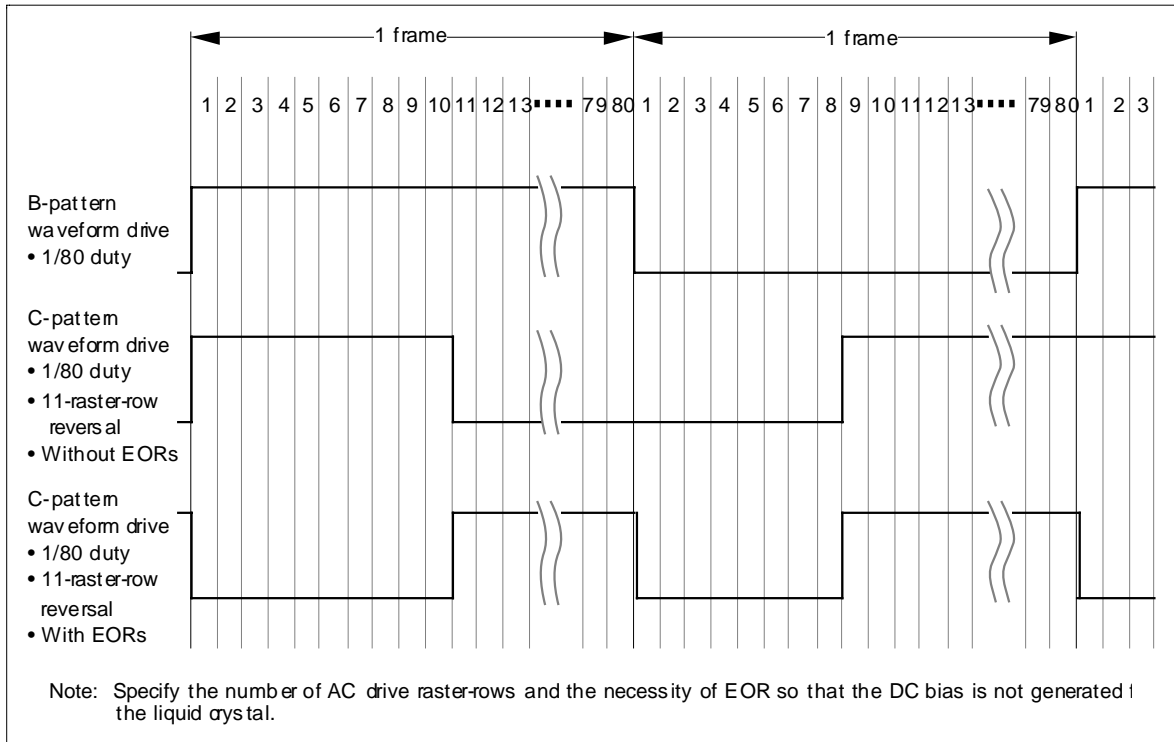


Figure 34 Example of an AC Signal under n-raster-row Reversed AC Drive

Liquid Crystal Display Voltage Generator

When External Power Supply and Internal Operational Amplifiers are Used

To supply LCD drive voltage directly from the external power supply without using the internal booster, circuits should be connected as shown in figure 35. Here, contrast can be adjusted by software through the CT bits of the contrast adjustment register.

The HD66750S incorporates a voltage-follower operational amplifier for each V1 to V5 to reduce current flowing through the internal bleeder-resistors, which generate different levels of liquid-crystal drive voltages. Thus, potential difference between V_{LCD} and V1 must be 0.1 V or higher, and that between V4 and GND must be 1.4 V or higher. Note that the OPOFF pin must be grounded when using the operational amplifiers. Place a capacitor of about 0.47 μ F (B characteristics) between each internal operational amplifier (V1OUT to V5OUT outputs) and GND and stabilize the output level of the operational amplifier. Adjust the capacitance value of the stabilized capacitor after the LCD panel has been mounted and the screen quality has been confirmed.

HD66750S

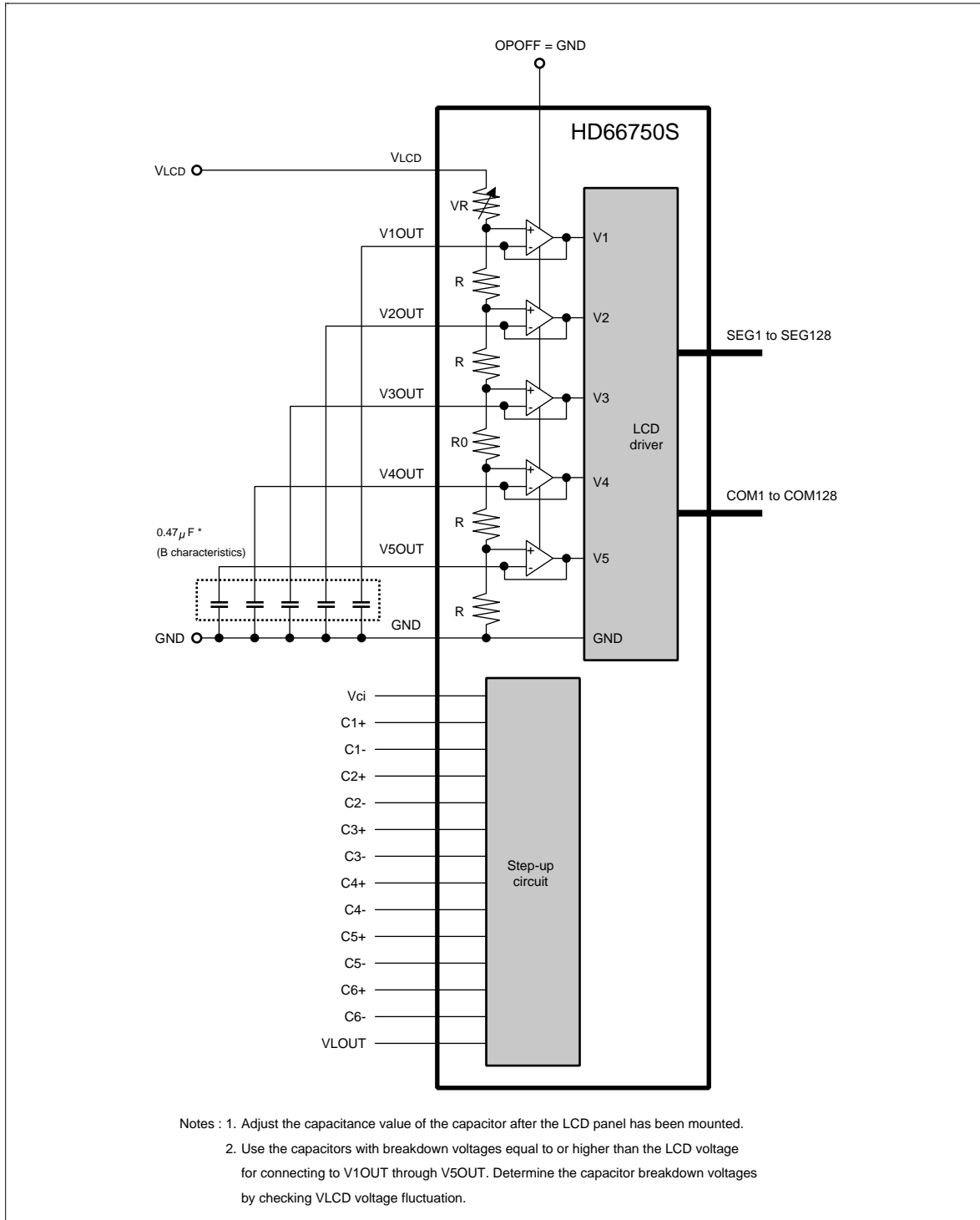


Figure 35 External Power Supply Circuit for LCD Drive Voltage Generation

When an Internal Booster and Internal Operational Amplifiers are Used

To supply LCD drive voltage using the internal booster, circuits should be connected as shown in figure 36. Here, contrast can be adjusted through the CT bits of the contrast control instruction. Temperature can be compensated either through the CT bits or by controlling the reference voltage for the booster (Vci pin) using a thermistor.

Note that Vci is both a reference voltage and power supply for the booster. The reference voltage must therefore be adjusted using an emitter-follower or a similar element so that sufficient current can be supplied.

The HD66750S incorporates a voltage-follower operational amplifier for each of V1 to V5 to reduce current flowing through the internal bleeder-resistors, which generate different liquid-crystal drive voltages. Thus, potential difference between V_{LCD} and V1 must be 0.1 V or higher, and that between V4 and GND must be 1.4 V or higher. Note that the OPOFF pin must be grounded when using the operational amplifiers. Place a capacitor of about 0.47 μ F (B characteristics) between each internal operational amplifier (V1OUT to V5OUT outputs) and GND and stabilize the output level of the operational amplifier. Adjust the capacitance value of the stabilized capacitor after the LCD panel has been mounted and the screen quality has been confirmed. The wiring length between capacitors and the HD66750S should be as shorter as possible.

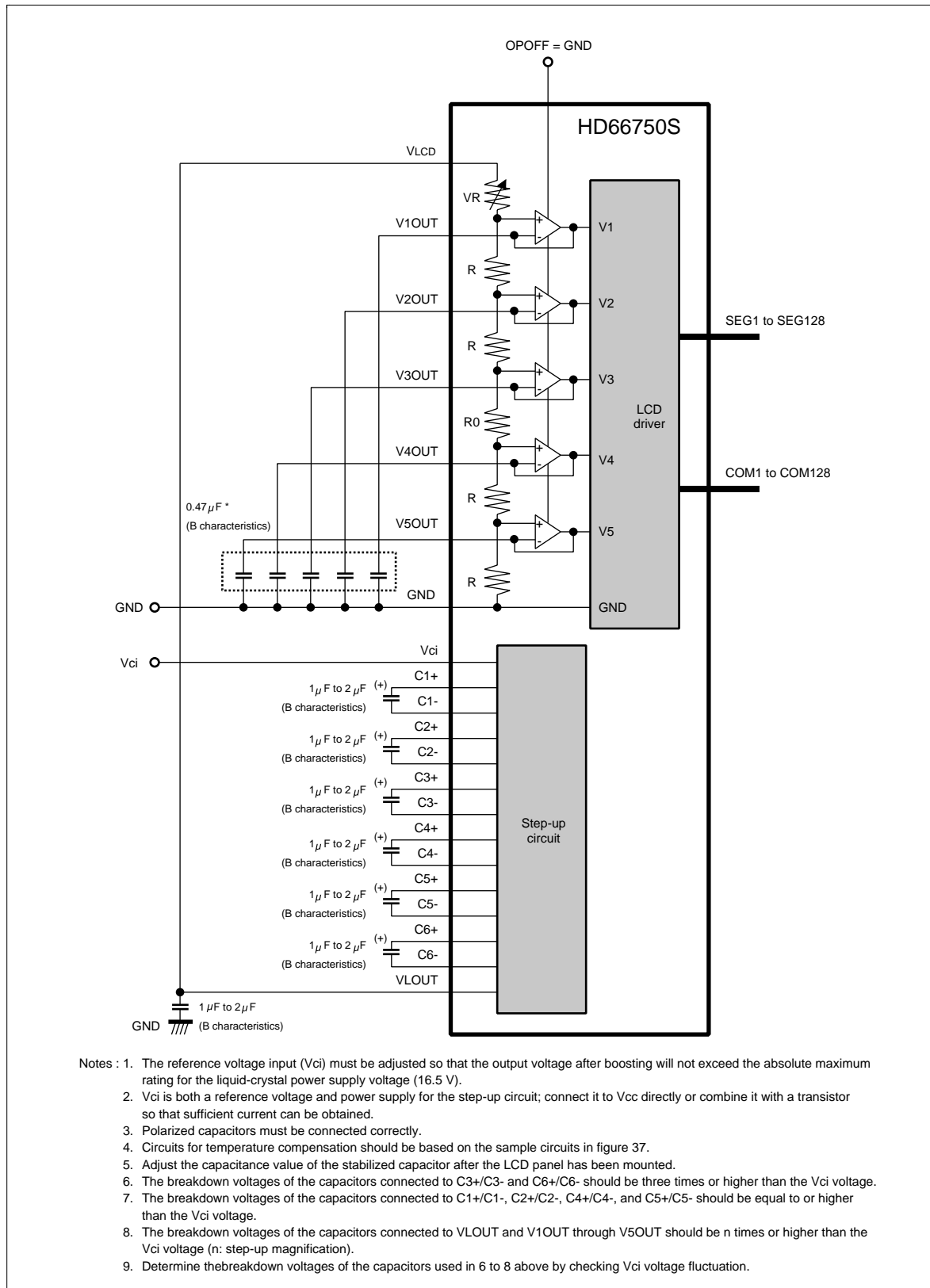


Figure 36 Internal Booster for LCD Drive Voltage Generation

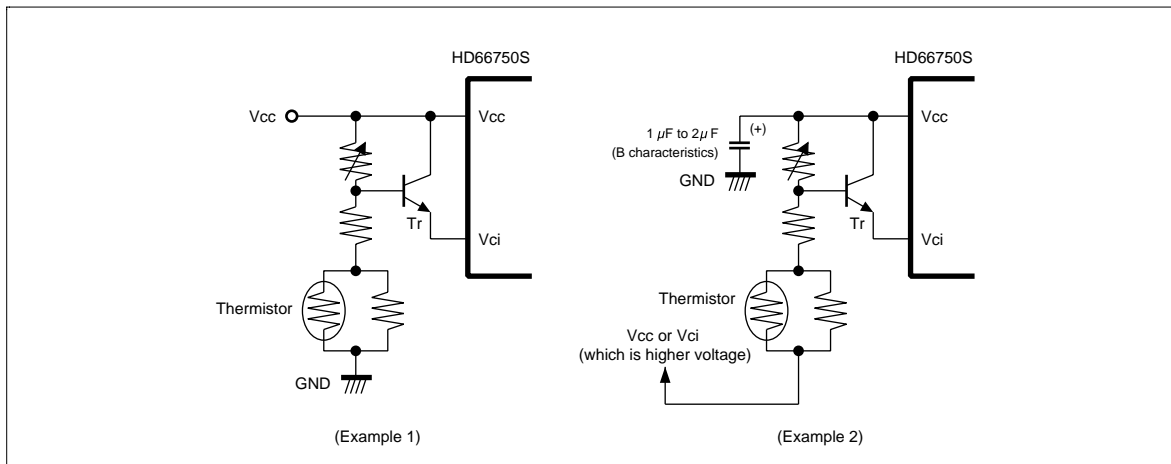


Figure 37 Temperature Compensation Circuits

Notes on Using Internal Operational Amplifier

The HD66750S has a low-current-consumption-type operational amplifier. When a low-voltage supply is used, particularly at low temperatures near -20°C , the current in the operational amplifier is reduced. Therefore, depending on the specifications or display pattern of the LCD panel used, screen quality may be poor or the LCD panel may not operate at all.

For the operational specifications of the LCD panel, one must consider the drive condition (setting of the VTEST pin) or the peripheral circuits of the LCD panel in conjunction with the power-supply voltage.

Pin condition for HD66750S (setting VTEST pin):

1. When the power-supply voltage is $V_{cc} \geq 2.5\text{ V}$ (i.e., the current in the operational amplifier is sufficient), leave the VTEST pin open (disconnected).
2. When the power-supply voltage is $V_{cc} < 2.5\text{ V}$ (i.e., the current is reduced in the operational amplifier at low temperature), 1.2 to 1.3 V should be input to the VTEST pin.

The following table and figure correspond to inputs of 1.2 to 1.3 V to the VTEST pin. When higher LCD drive current is required due to the characteristics of the LCD panel, check the screen quality and current consumption, adjust the resistance values (R1 and R2), and increase the VTEST pin voltage. (This is also valid when $V_{cc} \geq 2.5\text{ V}$.)

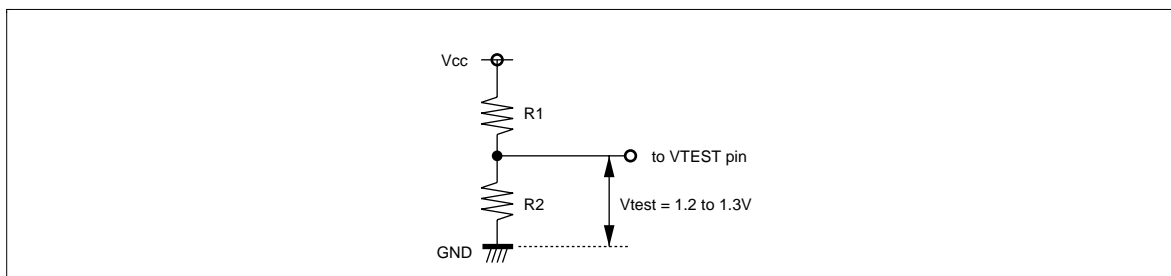


Figure 38 Circuit for Generating VTEST Pin Voltage

HD66750S

Table 19 Settings to Generate VTEST Pin Voltage

Vcc	R1	R2	Vtest (VTEST Pin Voltage)
2.4 V	270 kΩ	330 kΩ	1.23 V
2.0 V	220 kΩ	360 kΩ	1.22 V
1.8 V	180 kΩ	390 kΩ	1.22 V

Countermeasures for Screen Quality when Using On-chip Operational Amplifier

The HD66750S is an on-chip LCD driver that has an LCD power supply for high duty. Screen quality is affected by the load current of the high-duty LCD panel used. When the bias (1/11 bias, 1/10 bias, 1/9 bias, etc.) is high and the displayed pattern is completely or almost completely white, the white sections may appear dark.

If this happens, execute the following countermeasures to improve screen quality.

- (1) After the change in the V4OUT/V3OUT level is verified, insert about 1 MΩ between V4OUT and GND or VLCD and V3OUT and then adjust the screen quality (see the following figures). By inserting resistance, the current consumption increases as much as the boosting factor of the resistance current. Adjust the resistance after checking the screen quality and the increase in current consumption.
- (2) Decrease the drive bias and use the new bias level after verifying that the potential differences between V4OUT and GND or VLCD and V3OUT are sufficient.

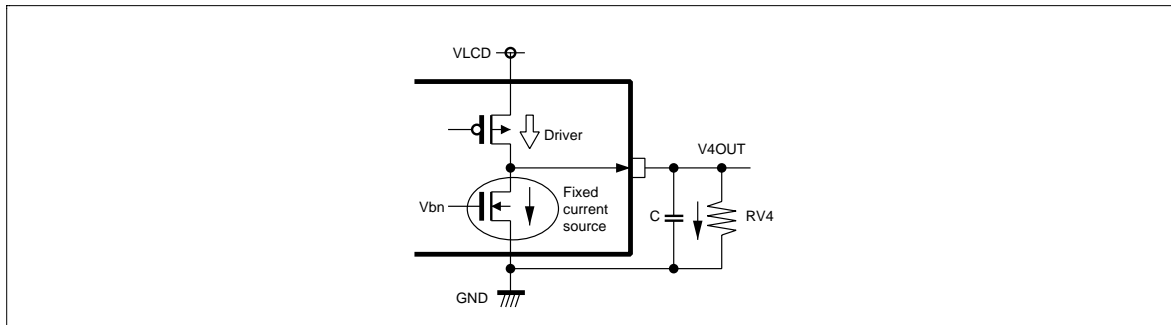


Figure 39 Countermeasure for V4OUT Output

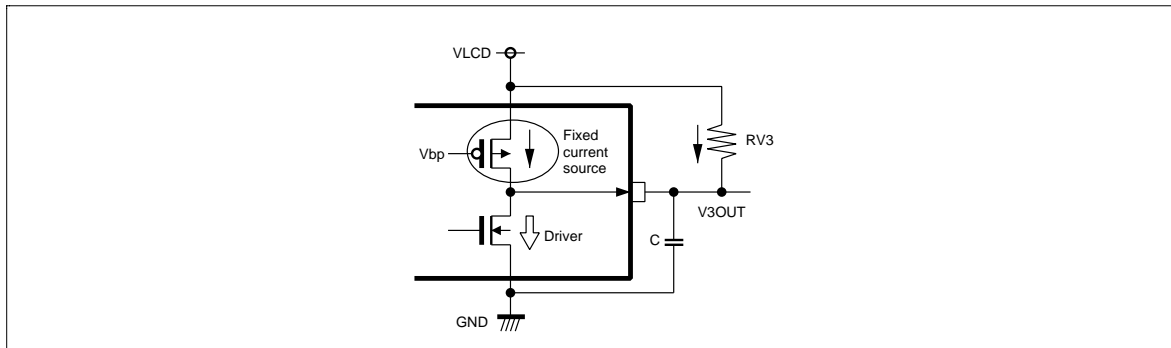


Figure 40 Countermeasure for V3OUT Output

Note: The actual LCD drive voltage-VLCD used must not exceed 15.5 V, and the absolute rating must not exceed 16.5 V.

Switching the Boosting Factor

Instruction bits (BT1/0 bits) can optionally select the boosting factor of the internal booster. According to the display status, current consumption can be reduced by changing the LCD drive duty and the LCD drive bias, and by controlling the boosting factor for the minimum requirements. For details, see the Partial-display-on Function section.

Because of the maximum boosting factor, external capacitors need to be connected. For example, when the maximum boosting is six times or five times, capacitors between C6+ and C6– or between C5+ and C5– are needed as well, as in the case of the seven-times boosting. When the boosting is two-times boosting, capacitors between C1+ and C1– or between C4+ and C4– are not needed.

Place a capacitor with a voltage of three or more times the Vci-GND voltage between C6+ and C6– and between C3+ and C3–, and a capacitor with a voltage larger than the Vci-GND voltage between C1+ and C1–, C2+ and C2–, C4+ and C4–, and C5+ and C5–, and connect a capacitor with a voltage of n or more times the Vci-GND voltage to the VLOUT (n: boosting factor).

Note: The voltage of each capacitor must be considered with regard to the change in Vci voltage.

Table 20 VLOUT Output Status

BT1	BT0	VLOUT Output Status
0	0	Two-times boosting output
0	1	Five-times boosting output
1	0	Six-times boosting output
1	1	Seven-times boosting output

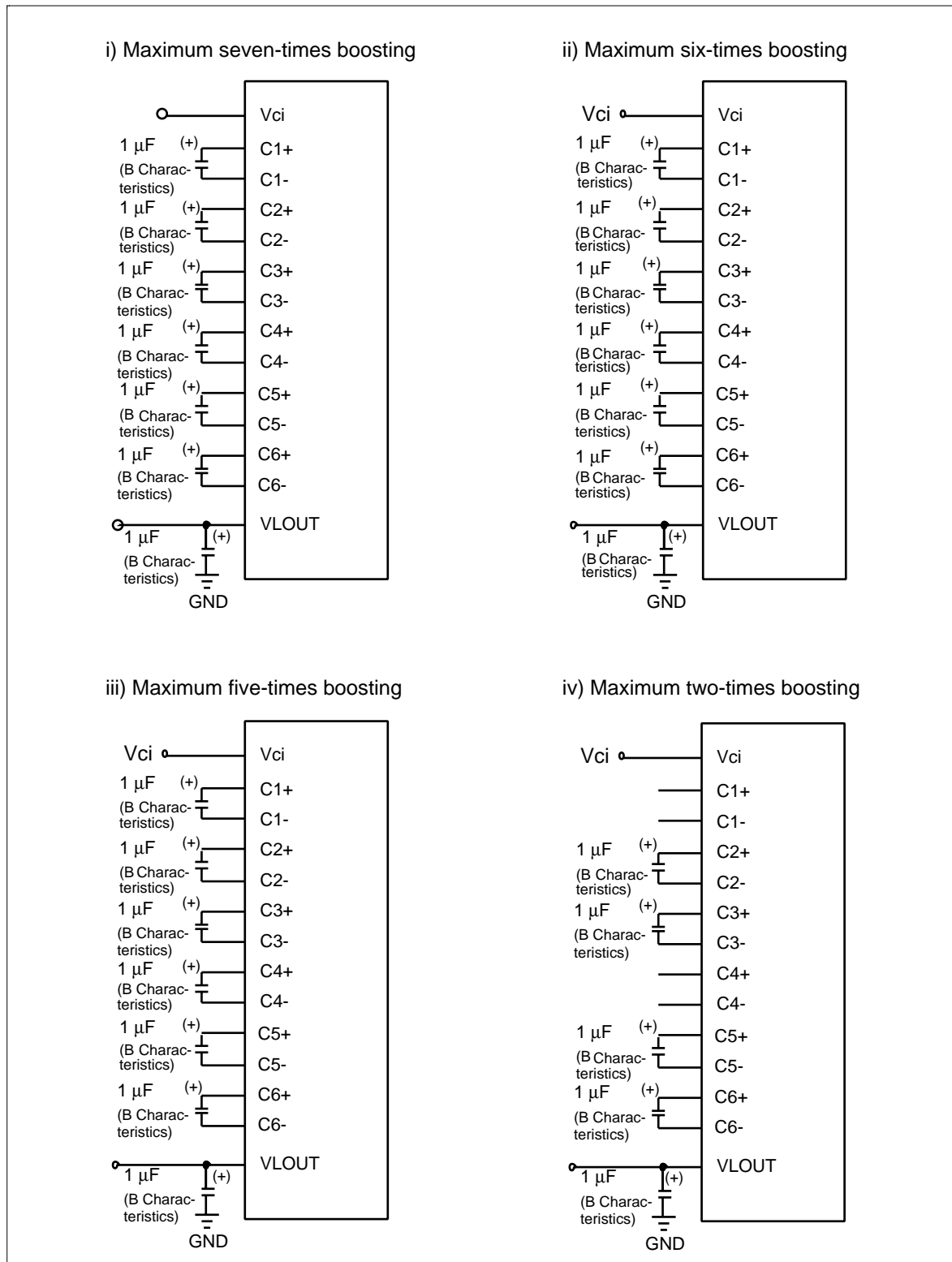


Figure 41 Booster Output Factor Switching

Example of Power-supply Voltage Generator for More Than Seven-times Boosting Output

The HD66750S incorporates a booster for up to seven-times boosting. However, the LCD drive voltage (VLCD) will not be enough for seven-times boosting from Vcc when the power-supply voltage of Vcc is low or when the LCD drive voltage is high for the high-contrast LCD display. In this case, the reference voltage (Vci) for boosting can be set higher than the power-supply voltage of Vcc.

When the boosting factor is high, the current driving ability is lowered and insufficient display quality may result. In this case, the boosting ability can be improved by decreasing the boosting factor as shown in the booster in figure 42.

Set the Vci input voltage for the booster to 3.6 V. Control the Vci voltage so that the boosting output voltage (VLOUT) should be less than the absolute maximum ratings (16.5 V).

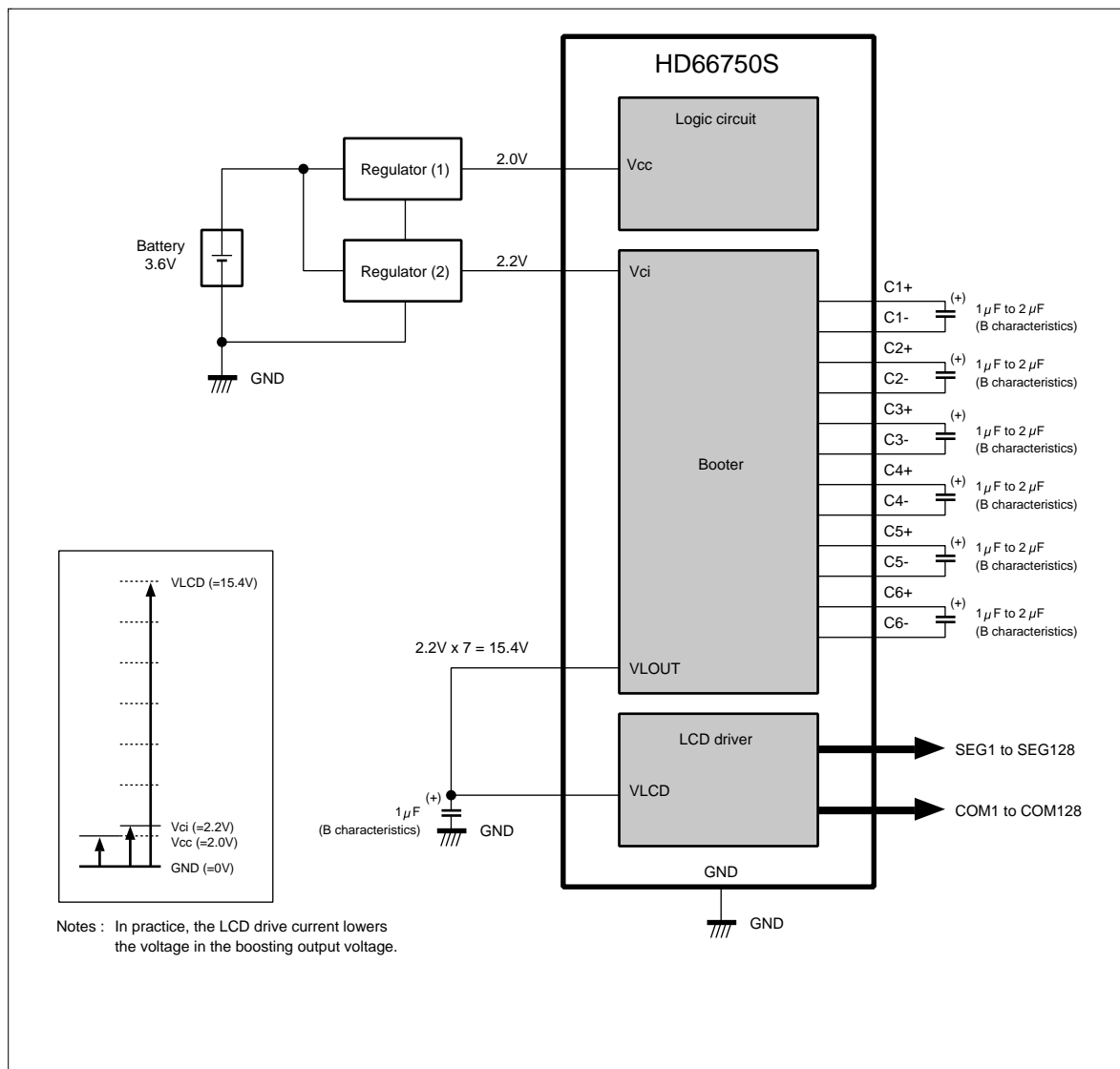


Figure 42 Usage Example of Booster at Vci > Vcc

HD66750S

Precautions when Switching Boosting Circuit

The boosting factor of the HD66750S can be switched between 2, 5, 6, and 7 times by instruction. When the factor is switched, there is a transition period before the voltage from VLOUT stabilizes. When VLOUT is used as the VLCD, the boosting factor is changed by switching the BT bit, and the supply voltage for the LCD is changed, a direct current may be applied to the LCD display if the display is on during the transition period.

When the output voltage of the VLOUT pin is changed, the display must be switched off and on after the output voltage stabilizes.

Table 21 Instructions Accompanying Change in Boosting Factor (example)

Display Contents	Instructions	
All display drive in 1/128 duty to 1/48 duty drive	(1) Display control (R7)	0x0000
	(2) Power control (R1)	0x1914
	(3) 10-ms wait	
	(4) Contrast control (R4)	0x0006
	(5) Driver output control (R1)	0x0245
	(6) Display control (R7)	0x0005

Contrast Adjuster

Software can adjust 64-step contrast for an LCD by varying the liquid-crystal drive voltage (potential difference between V_{LCD} and $V1$) through the CT bits of the contrast adjustment register (electron volume function). The value of a variable resistor between V_{LCD} and $V1$ (VR) can be precisely adjusted in a $0.05 \times R$ unit within a range from $0.05 \times R$ through $3.20 \times R$, where R is a reference resistance obtained by dividing the total resistance.

The HD66750S incorporates a voltage-follower operational amplifier for each of $V1$ to $V5$ to reduce current flowing through the internal bleeder resistors, which generate different liquid-crystal drive voltages. Thus, CT5-0 bits must be adjusted so that potential difference between V_{LCD} and $V1$ is 0.1 V or higher and that between $V4$ and GND is 1.4 V or higher when liquid-crystal drives, particularly when the VR is small.

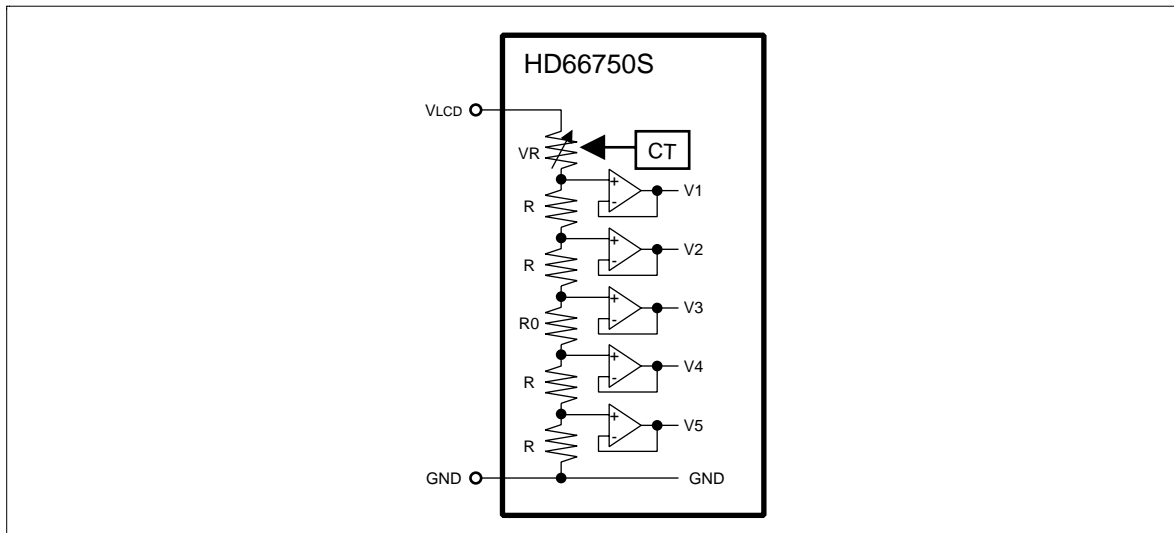


Figure 43 Contrast Adjuster

HD66750S

Table 22 Contrast Adjustment Bits (CT) and Variable Resistor Values

CT set value						Variable Resistor Value (VR)	Potential Difference between V1 and GND	Display Color
CT5	CT4	CT3	CT2	CT1	CT0			
0	0	0	0	0	0	3.20 x R	(Small)	(Light)
0	0	0	0	0	1	3.15 x R	:	:
0	0	0	0	1	0	3.10 x R	:	:
0	0	0	0	1	1	3.05 x R	:	:
0	0	0	1	0	0	3.00 x R	:	:
0	0	0	1	0	1	2.95x R	:	:
0	0	0	1	1	0	2.90 x R	:	:
0	0	0	1	1	1	2.85 x R	:	:
0	0	1	0	0	0	2.80 x R	:	:
0	0	1	0	0	1	2.75 x R	:	:
0	0	1	0	1	0	2.70 x R	:	:
0	0	1	0	1	1	2.65x R	:	:
0	0	1	1	0	0	2.60 x R	:	:
:	:	:	:	:	:	:	:	:
0	1	1	1	1	1	1.65 x R	:	:
1	0	0	0	0	0	1.60 x R	:	:
1	0	0	0	0	1	1.55 x R	:	:
1	0	0	0	1	0	1.50 x R	:	:
1	0	0	0	1	1	1.45 x R	:	:
1	0	0	1	0	0	1.40 x R	:	:
1	0	0	1	0	1	1.35 x R	:	:
1	0	0	1	1	0	1.30 x R	:	:
1	0	0	1	1	1	1.25 x R	:	:
1	0	1	0	0	0	1.20 x R	:	:
1	0	1	0	0	1	1.15 x R	:	:
:	:	:	:	:	:	:	:	:
1	1	1	1	0	0	0.20 x R	:	:
1	1	1	1	0	1	0.15 x R	:	:
1	1	1	1	1	0	0.10 x R	:	:
1	1	1	1	1	1	0.05 x R	(Large)	(Deep)

Liquid-crystal-display Drive-bias Selector

An optimum liquid-crystal-display bias value can be selected using the BS2-0 bits, according to the liquid crystal drive duty ratio setting (NL3-0 bits). The liquid-crystal-display drive duty ratio and bias value can be displayed while switching software applications to match the LCD panel display status. The optimum bias value calculated using the following expression is a logical optimum value. Driving by using a lower value than the optimum bias value provides lower logical contrast and lower liquid-crystal-display voltage (the potential difference between V1 and GND), which results in better image quality. When the liquid-crystal-display voltage is insufficient even if a seven-times booster is used, when the boosting driving ability is lowered by setting a high factor for the booster, or when the output voltage is lowered because the battery life has been reached, the display can be made easier to see by lowering the liquid-crystal-display bias.

The liquid crystal display can be adjusted by using the contrast adjustment register (CT5-0 bits) and selecting the booster output level (BT1/0 bits).

$$\text{Optimum bias value for } 1/N \text{ duty ratio drive voltage} = \frac{1}{\sqrt{N+1}}$$

Table 23 Optimum Drive Bias Values

LCD drive duty ratio	1/128	1/120	1/112	1/104	1/96	1/88	1/80	1/72	1/64	1/32	1/24	1/16
(NL3-0 set value)	1111	1110	1101	1100	1011	1010	1001	1000	0111	0100	0011	0010
Optimum drive bias value	1/11	1/11	1/11	1/11	1/10	1/10	1/10	1/9	1/9	1/6	1/6	1/5
(BS2-0 set value)	000	000	000	000	001	001	001	010	010	101	101	100

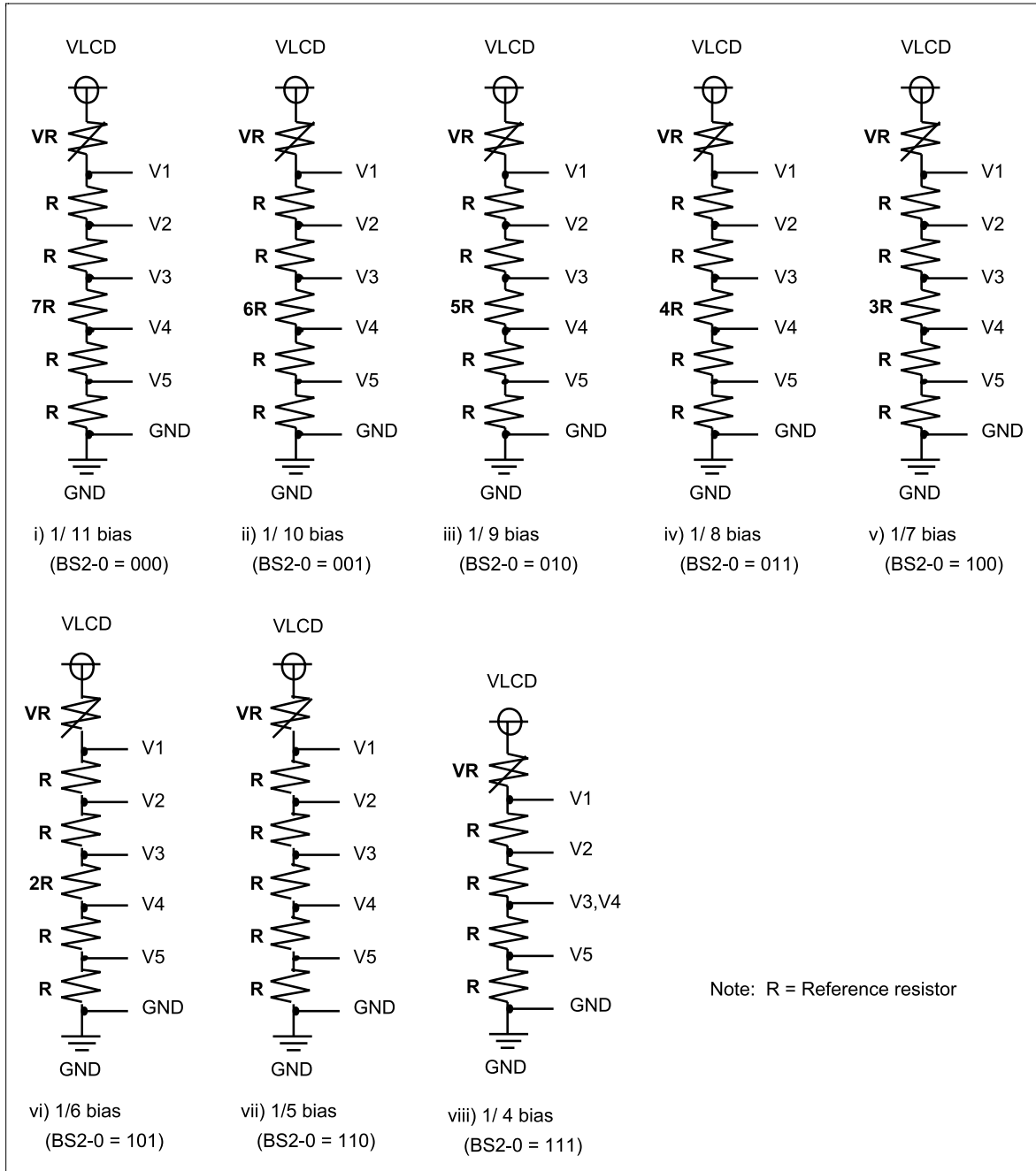


Figure 44 Liquid Crystal Display Drive Bias Circuit

Table 24 Contrast Adjustment per Bias Drive Voltage

Bias	LCD drive voltage: VDR	Contrast adjustment range
1/11 bias drive	$\frac{11 \times R}{11 \times R + VR} \times (VLCD - GND)$	- LCD drive voltage adjustment range : $0.775 \times (VLCD-GND) \leq VDR \leq 0.995 \times (VLCD-GND)$ - Limit of potential difference between V4 and GND : $\frac{2 \times R}{11 \times R + VR} \times (VLCD-GND) \geq 1.4 [V]$ - Limit if potential difference between VLCD and V1 : $\frac{VR}{11 \times R + VR} \times (VLCD-GND) \geq 0.1 [V]$
1/10 bias drive	$\frac{10 \times R}{10 \times R + VR} \times (VLCD - GND)$	- LCD drive voltage adjustment range : $0.757 \times (VLCD-GND) \leq VDR \leq 0.995 \times (VLCD-GND)$ - Limit of potential difference between V4 and GND : $\frac{2 \times R}{10 \times R + VR} \times (VLCD-GND) \geq 1.4 [V]$ - Limit if potential difference between VLCD and V1 : $\frac{VR}{10 \times R + VR} \times (VLCD-GND) \geq 0.1 [V]$
1/9 bias drive	$\frac{9 \times R}{9 \times R + VR} \times (VLCD - GND)$	- LCD drive voltage adjustment range : $0.737 \times (VLCD-GND) \leq VDR \leq 0.994 \times (VLCD-GND)$ - Limit of potential difference between V4 and GND : $\frac{2 \times R}{9 \times R + VR} \times (VLCD-GND) \geq 1.4 [V]$ - Limit if potential difference between VLCD and V1 : $\frac{VR}{9 \times R + VR} \times (VLCD-GND) \geq 0.1 [V]$
1/8 bias drive	$\frac{8 \times R}{8 \times R + VR} \times (VLCD - GND)$	- LCD drive voltage adjustment range : $0.714 \times (VLCD-GND) \leq VDR \leq 0.993 \times (VLCD-GND)$ - Limit of potential difference between V4 and GND : $\frac{2 \times R}{8 \times R + VR} \times (VLCD-GND) \geq 1.4 [V]$ - Limit if potential difference between VLCD and V1 : $\frac{VR}{8 \times R + VR} \times (VLCD-GND) \geq 0.1 [V]$
1/7 bias drive	$\frac{7 \times R}{7 \times R + VR} \times (VLCD - GND)$	- LCD drive voltage adjustment range : $0.686 \times (VLCD-GND) \leq VDR \leq 0.993 \times (VLCD-GND)$ - Limit of potential difference between V4 and GND : $\frac{2 \times R}{7 \times R + VR} \times (VLCD-GND) \geq 1.4 [V]$ - Limit if potential difference between VLCD and V1 : $\frac{VR}{7 \times R + VR} \times (VLCD-GND) \geq 0.1 [V]$
1/6 bias drive	$\frac{6 \times R}{6 \times R + VR} \times (VLCD - GND)$	- LCD drive voltage adjustment range : $0.652 \times (VLCD-GND) \leq VDR \leq 0.992 \times (VLCD-GND)$ - Limit of potential difference between V4 and GND : $\frac{2 \times R}{6 \times R + VR} \times (VLCD-GND) \geq 1.4 [V]$ - Limit if potential difference between VLCD and V1 : $\frac{VR}{6 \times R + VR} \times (VLCD-GND) \geq 0.1 [V]$
1/5 bias drive	$\frac{5 \times R}{5 \times R + VR} \times (VLCD - GND)$	- LCD drive voltage adjustment range : $0.610 \times (VLCD-GND) \leq VDR \leq 0.990 \times (VLCD-GND)$ - Limit of potential difference between V4 and GND : $\frac{2 \times R}{5 \times R + VR} \times (VLCD-GND) \geq 1.4 [V]$ - Limit if potential difference between VLCD and V1 : $\frac{VR}{5 \times R + VR} \times (VLCD-GND) \geq 0.1 [V]$
1/4 bias drive	$\frac{4 \times R}{4 \times R + VR} \times (VLCD - GND)$	- LCD drive voltage adjustment range : $0.556 \times (VLCD-GND) \leq VDR \leq 0.988 \times (VLCD-GND)$ - Limit of potential difference between V4 and GND : $\frac{2 \times R}{4 \times R + VR} \times (VLCD-GND) \geq 1.4 [V]$ - Limit if potential difference between VLCD and V1 : $\frac{VR}{4 \times R + VR} \times (VLCD-GND) \geq 0.1 [V]$

HD66750S

Four-grayscale Display Function

The HD66750S supports the four-grayscale monochrome display function. The four-grayscale monochrome display is used for the display data of the two-bit pixel set sent to the CGRAM. There are four grayscale levels: always unlit, weak middle level, strong middle level, and always lit. In the weak middle-level grayscale display, the GS bit can select the 1/3 or 1/2 level.

The frame rate control (FRC) method is used for grayscale control.

Table 25 Relationships between the CGRAM Data and the Display Contents

Upper Bit	Lower Bit	Liquid Crystal Display
0	0	Non-selected (unlit)
0	1	GS = 0: 1/3-level grayscale (one frame lit during a three-frame period) GS = 1: 1/2-level grayscale (one frame lit during a two-frame period)
1	0	2/3-level grayscale (two frames lit during a three-frame period)
1	1	Selected (lit)

Note: Upper bits: DB15, DB13, DB11, DB9, DB7, DB5, DB3, and DB1
Lower bits: DB14, DB12, DB10, DB8, DB6, DB4, DB2, and DB0

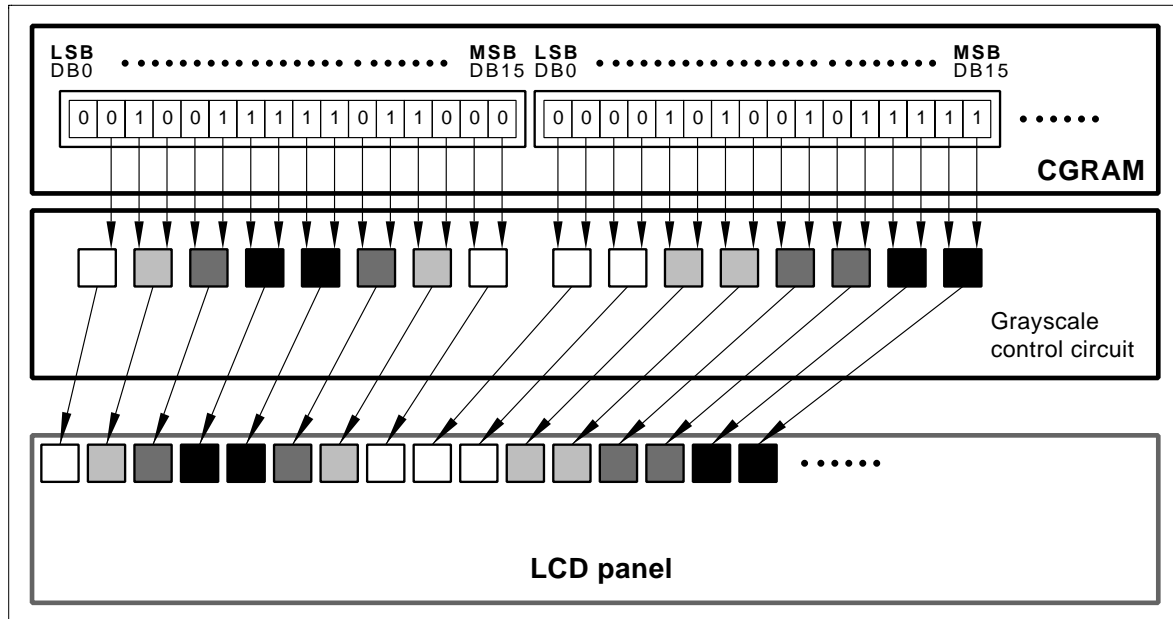


Figure 45 Four-grayscale Monochrome Display

Window Cursor Display Function

The HD66750S displays the window cursor by specifying a window area. The horizontal display position of the window cursor is specified with the horizontal cursor position register (HS6-0 to HE6-0), and the vertical display position is specified with the vertical cursor position register (VS6-0 or VE6-0). In these display position setting registers, ensure that $HS6-0 \leq HE6-0$ and $VS6-0 \leq VE6-0$. If these relationships are not satisfied, normal display cannot be attained. In addition, if the setting is $VS6-0 = VE6-0 = 00H$, a cursor is displayed on a raster-row at the most-upper edge of the screen.

This window cursor can automatically display the hardware-supported block cursor, highlight window, or menu bar. The CM1-0 bits select the following four displays in each window cursor:

1. White-blink cursor (CM1-0 = 00): Alternately blinks between the normal display and an all-white (unlit) display
2. Black-blink cursor (CM1-0 = 01): Alternately blinks between the normal display and an all-black (all lit) display
3. Black-and-white reversed cursor (CM1-0 = 10): Black-and-white-reversed normal display (no blinking)
4. Black-and-white-reversed blink cursor (CM1-0 = 11): Alternately blinks between the normal display and a black-and-white-reversed display

The above blinking display is switched in a 32-frame unit.

In vertical scrolling, note that this window cursor does not automatically move vertically.

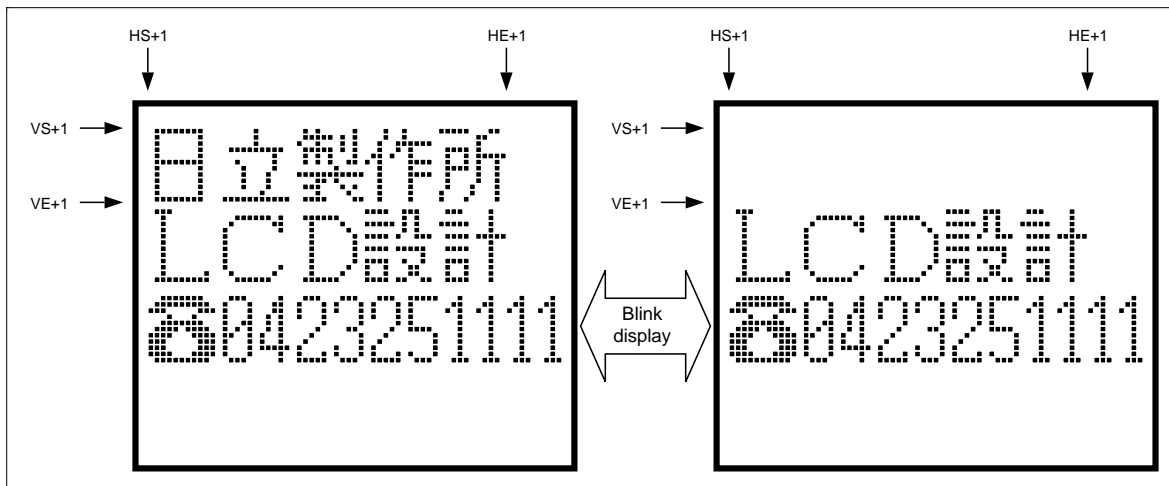


Figure 46 White Blink Cursor Display

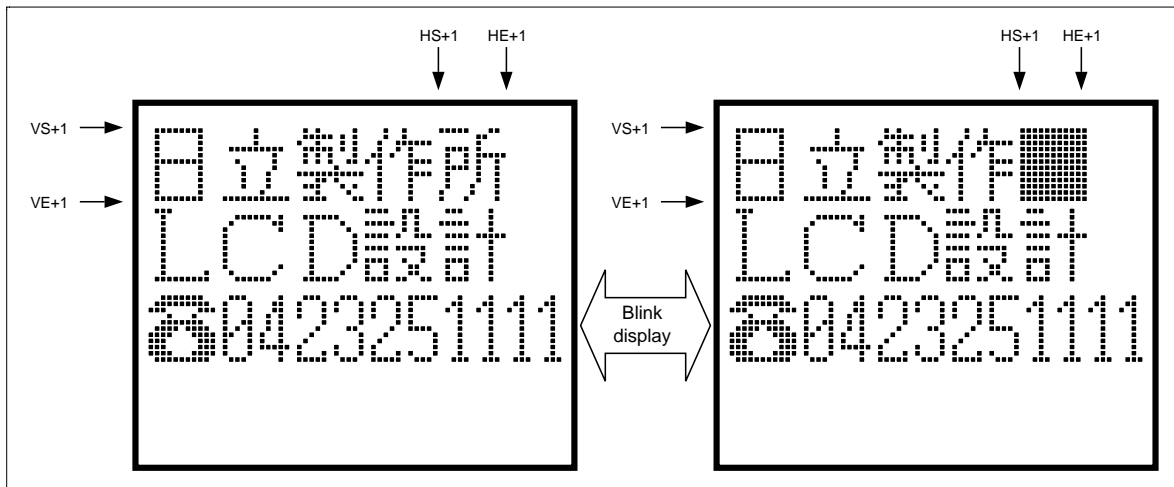


Figure 47 Black Blink Cursor Display

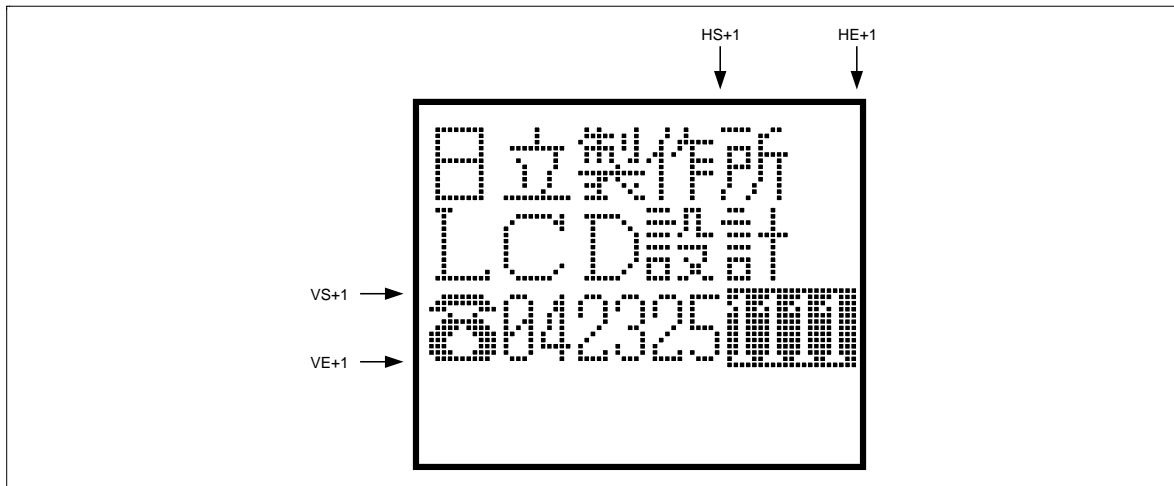


Figure 48 Black-and-White Reversed Cursor Display

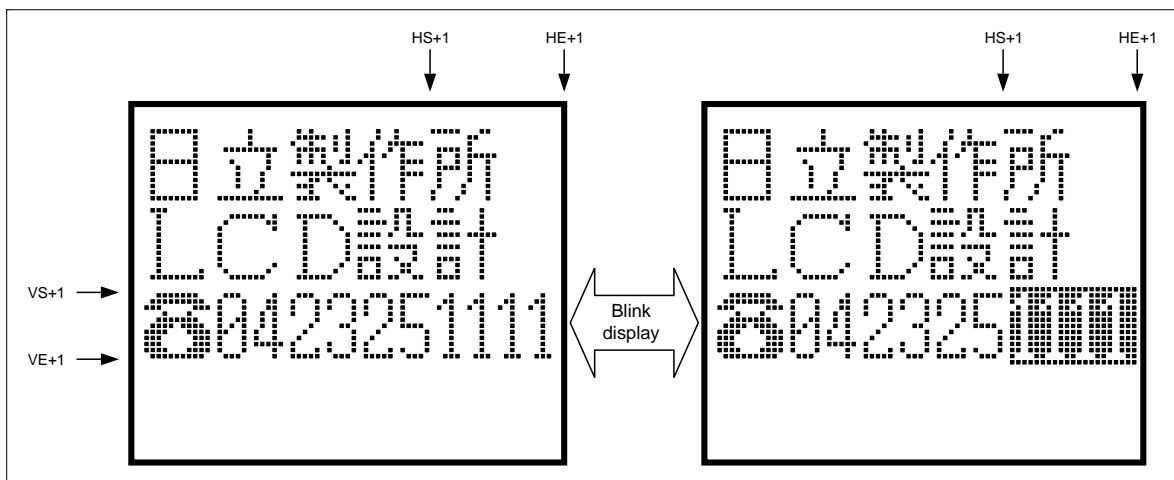


Figure 49 Black-and-White Reversed Blink Cursor Display

Vertical Smooth Scroll Display

The HD66750S can scroll the graphics display vertically in units of raster-rows. The data storage capacity of the CGRAM is 128 raster-rows. Continuous smooth vertical scrolling is achieved by writing display data into a raster-row area that is not being used for display. After the 128th raster-row is displayed, the first raster-row is displayed again. Using the status read, the user can check the display raster-rows (L6-0) that are currently driving the LCD, and flicker can be eliminated by writing the display data in the CGRAM while the LCD is not driven.

Additionally, when display areas of a graphics icon such as a pictogram or a menu bar are partially fixed-displayed, the remaining areas can be displayed. For details, see the Partial Smooth Scroll Display Function section.

Specifically, this function is controlled by incrementing or decrementing the value in the display-start raster-row bits (SL6-0) by 1. For example, to smoothly scroll up, increment display-start raster-row bits (SL6-0) by 1 from 0000000 to 1111111 to scroll 128 raster-rows.

Note that the vertical double-height display or window cursor display is not automatically changed in synchronization with the vertical scrolling.

When the response speed of the liquid crystal is low or when high-speed scrolling is needed, two- to four-raster-row scrolling is recommended.

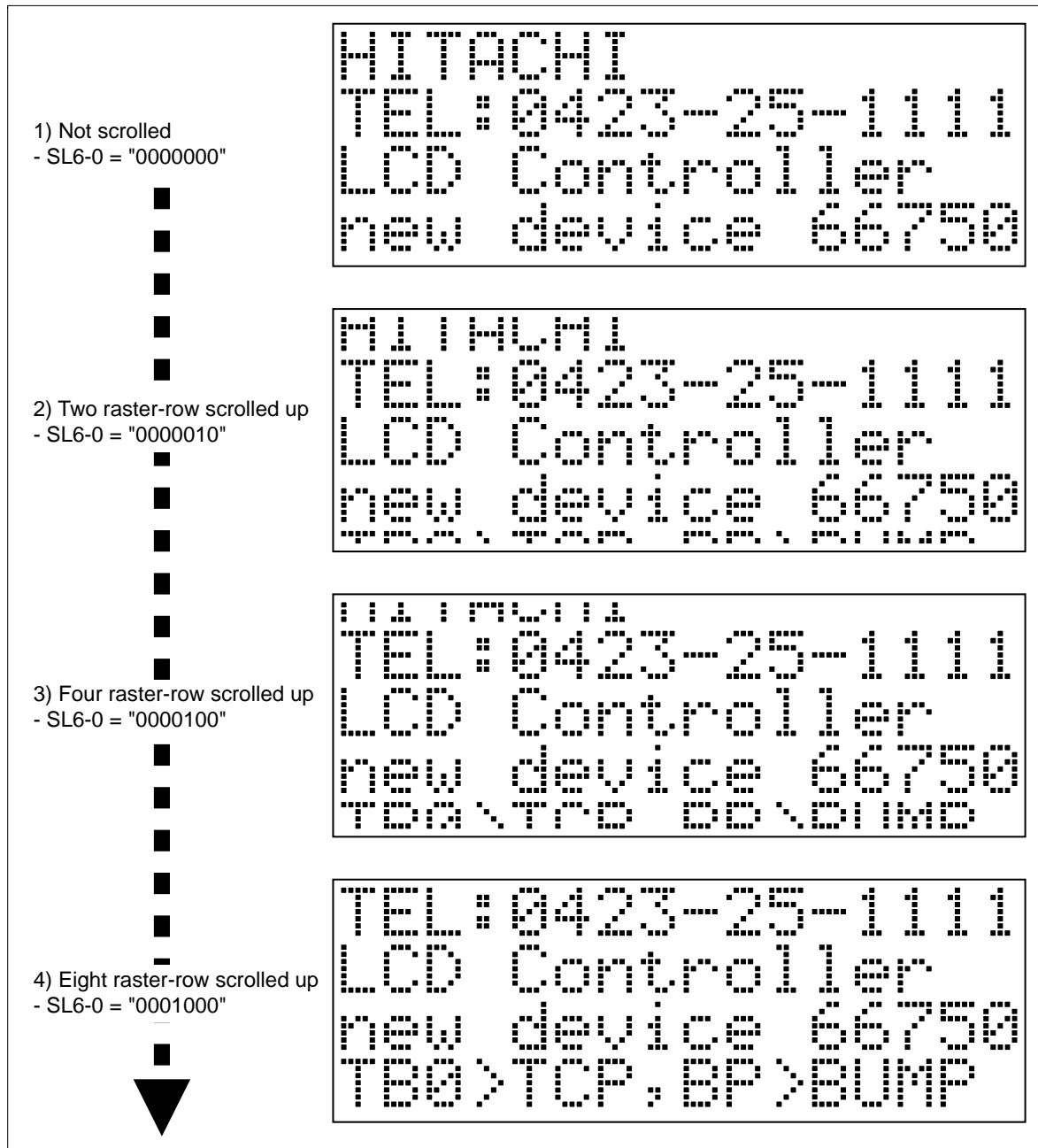


Figure 50 Vertical Smooth Scroll

Partial Smooth Scroll Display Function

The HD66750S can partially fixed-display the areas of a graphics icon such as a pictogram or a menu bar, and perform vertical smooth scrolling of the remaining bit-map areas. Since the PS1 to PS0 bits are not used for smooth scrolling of the upper first to 24th display raster-rows but are used for fixed-display, pictograms can be placed on the screen. This function can largely control the rewrite frequencies of the bit-map data during smooth scrolling and reduce the software load of the MPU.

HD66750S

Table 26 Bit Setting and Display Lines

Bit Setting	COM Position	SL6-0 =00H	SL6-0 =01H	SL6-0 =02H	SL6-0 =04H	SL6-0 =07H	SL6-0 =08H		SL6-0 =7EH	SL6-0 =7FH
PS1-0 = "00"	COM1 ↓ COM120	1st raster-row	2nd raster-row	3rd raster-row	5th raster-row	8th raster-row	9th raster-row	•••	127th raster-row	128th raster-row
		2nd raster-row	3rd raster-row	4th raster-row	6th raster-row	9th raster-row	10th raster-row	•••	128th raster-row	1st raster-row
		3rd raster-row	4th raster-row	5th raster-row	7th raster-row	10th raster-row	11th raster-row	•••	1st raster-row	2nd raster-row
		•	•	•	•	•	•	•••	•	•
•	•	•	•	•	•	•••	•	•		
•	•	•	•	•	•	•••	•	•		
118th raster-row	119th raster-row	120th raster-row	122nd raster-row	125th raster-row	126th raster-row	•••	116th raster-row	117th raster-row		
119th raster-row	120th raster-row	121st raster-row	123rd raster-row	126th raster-row	127th raster-row	•••	117th raster-row	118th raster-row		
120th raster-row	121 raster-row	122nd raster-row	124th raster-row	127th raster-row	128th raster-row	•••	118th raster-row	119th raster-row		
PS1-0 = "01"	COM1 ↓ COM120	1st to 8th raster-row	1st to 8th raster-row	1st to 8th raster-row	1st to 8th raster-row	1st to 8th raster-row	1st to 8th raster-row	•••	1st to 8th raster-row	1st to 8th raster-row
		1st raster-row	2nd raster-row	3rd raster-row	5th raster-row	8th raster-row	9th raster-row	•••	127th raster-row	128th raster-row
		2nd raster-row	3rd raster-row	4th raster-row	6th raster-row	9th raster-row	10th raster-row	•••	128th raster-row	9th raster-row
		3rd raster-row	4th raster-row	5th raster-row	7th raster-row	10th raster-row	11th raster-row	•••	9th raster-row	10th raster-row
•	•	•	•	•	•	•••	•	•		
•	•	•	•	•	•	•••	•	•		
•	•	•	•	•	•	•••	•	•		
110th raster-row	111th raster-row	112th raster-row	114th raster-row	117th raster-row	118th raster-row	•••	116th raster-row	117th raster-row		
111th raster-row	112th raster-row	113th raster-row	115th raster-row	118th raster-row	119th raster-row	•••	117th raster-row	118th raster-row		
112th raster-row	113th raster-row	114th raster-row	116th raster-row	119th raster-row	120th raster-row	•••	118th raster-row	119th raster-row		
PS1-0 = "10"	COM1 ↓ COM120	1st to 16th raster-row	1st to 16th raster-row	1st to 16th raster-row	1st to 16th raster-row	1st to 16th raster-row	1st to 16th raster-row	•••	1st to 16th raster-row	1st to 16th raster-row
		1st raster-row	2nd raster-row	3rd raster-row	5th raster-row	8th raster-row	9th raster-row	•••	127th raster-row	128th raster-row
		2nd raster-row	3rd raster-row	4th raster-row	6th raster-row	9th raster-row	10th raster-row	•••	128th raster-row	17th raster-row
		3rd raster-row	4th raster-row	5th raster-row	7th raster-row	10th raster-row	11th raster-row	•••	17th raster-row	18th raster-row
•	•	•	•	•	•	•••	•	•		
•	•	•	•	•	•	•••	•	•		
•	•	•	•	•	•	•••	•	•		
102nd raster-row	103rd raster-row	104th raster-row	106th raster-row	109th raster-row	110th raster-row	•••	116th raster-row	117th raster-row		
103rd raster-row	104th raster-row	105th raster-row	107th raster-row	110th raster-row	111th raster-row	•••	117th raster-row	118th raster-row		
104th raster-row	105th raster-row	106th raster-row	108th raster-row	111th raster-row	112nd raster-row	•••	118th raster-row	119th raster-row		
PS1-0 = "11"	COM1 ↓ COM120	1st to 24th raster-row	1st to 24th raster-row	1st to 24th raster-row	1st to 24th raster-row	1st to 24th raster-row	1st to 24th raster-row	•••	1st to 24th raster-row	1st to 24th raster-row
		1st raster-row	2nd raster-row	3rd raster-row	5th raster-row	8th raster-row	9th raster-row	•••	127th raster-row	128th raster-row
		2nd raster-row	3rd raster-row	4th raster-row	6th raster-row	9th raster-row	10th raster-row	•••	128th raster-row	25th raster-row
		3rd raster-row	4th raster-row	5th raster-row	7th raster-row	10th raster-row	11th raster-row	•••	25th raster-row	26th raster-row
•	•	•	•	•	•	•••	•	•		
•	•	•	•	•	•	•••	•	•		
•	•	•	•	•	•	•••	•	•		
94th raster-row	95th raster-row	96th raster-row	98th raster-row	101th raster-row	102th raster-row	•••	116th raster-row	117th raster-row		
95th raster-row	96th raster-row	97th raster-row	99th raster-row	102th raster-row	103th raster-row	•••	117th raster-row	118th raster-row		
96th raster-row	97th raster-row	98th raster-row	100th raster-row	103th raster-row	104nd raster-row	•••	118th raster-row	119th raster-row		

- Notes: 1. The shadow raster-rows above are fixed-displayed. They do not depend on the setting of the SL6-0 bits.
2. The SL6-0 bits specify the next first scroll display raster-row of the fixed-displayed raster-rows.

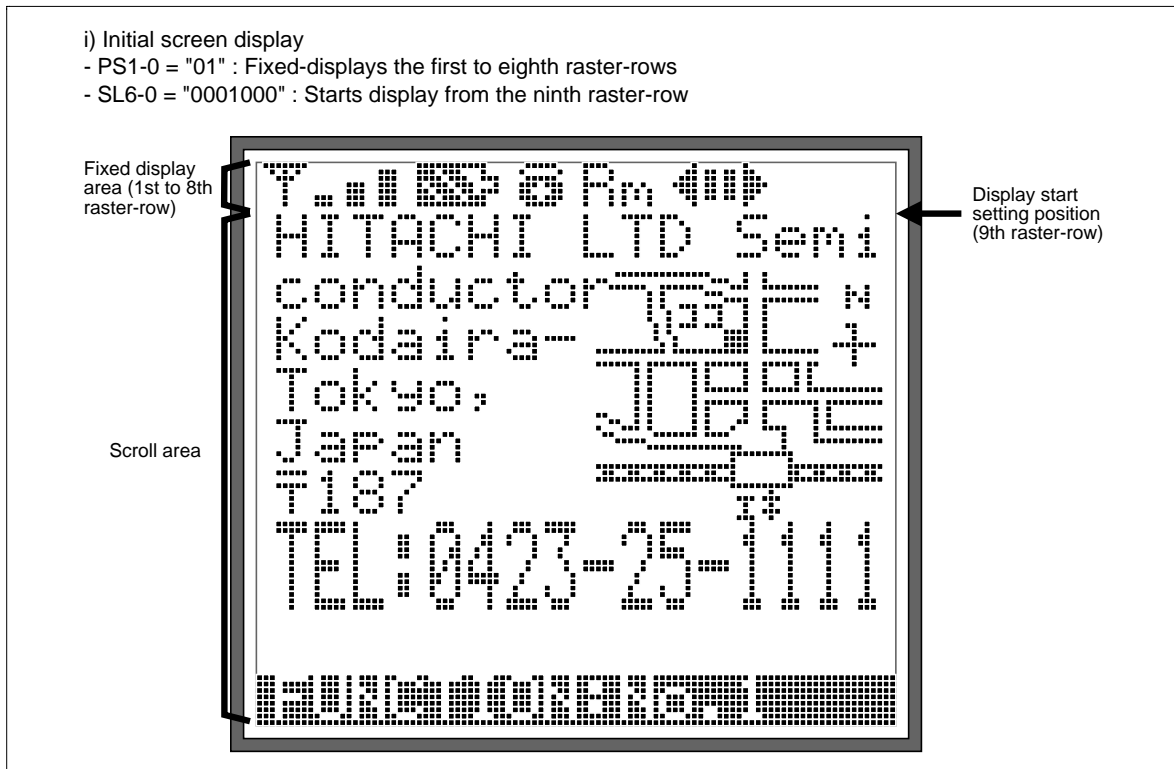


Figure 51 Example of the initial screen in the partial smooth scroll mode

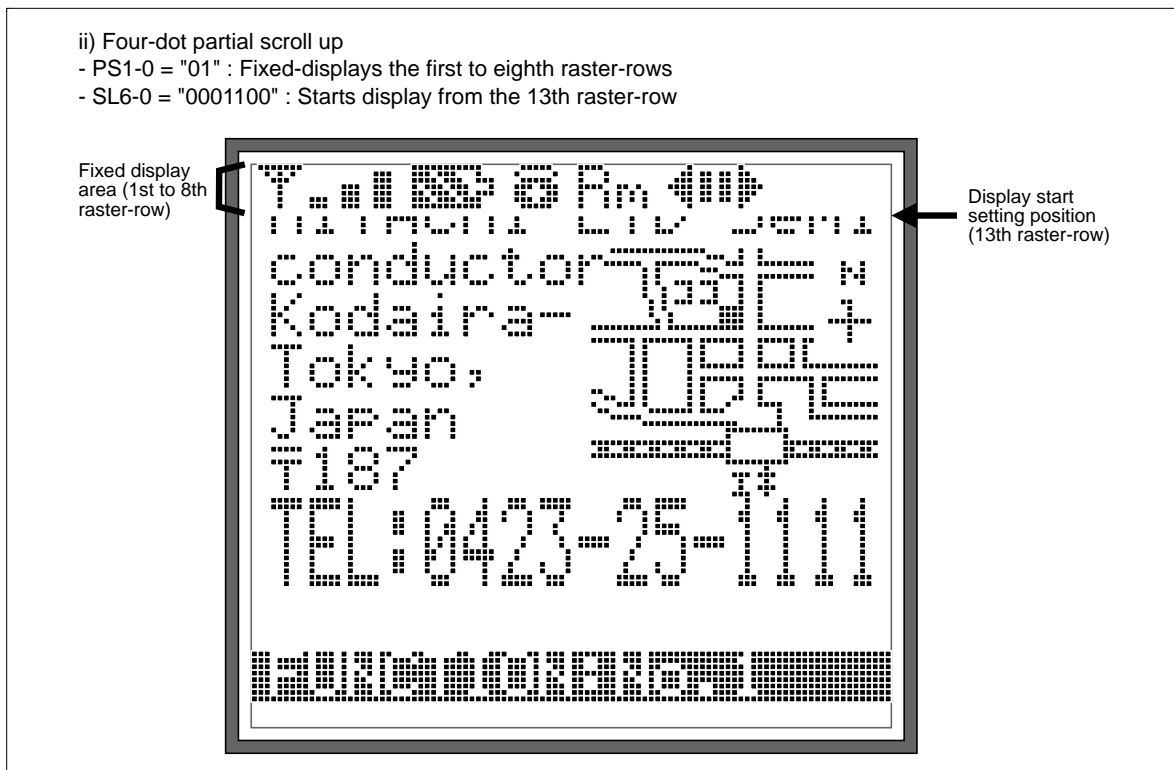


Figure 52 Example of display screen in the partial smooth scroll mode (1)

- iii) Eight-dot partial scroll up
 - PS1-0 = "01" : Fixed-displays the first to eighth raster-rows
 - SL6-0 = "0010000" : Starts display from the 17th raster-row

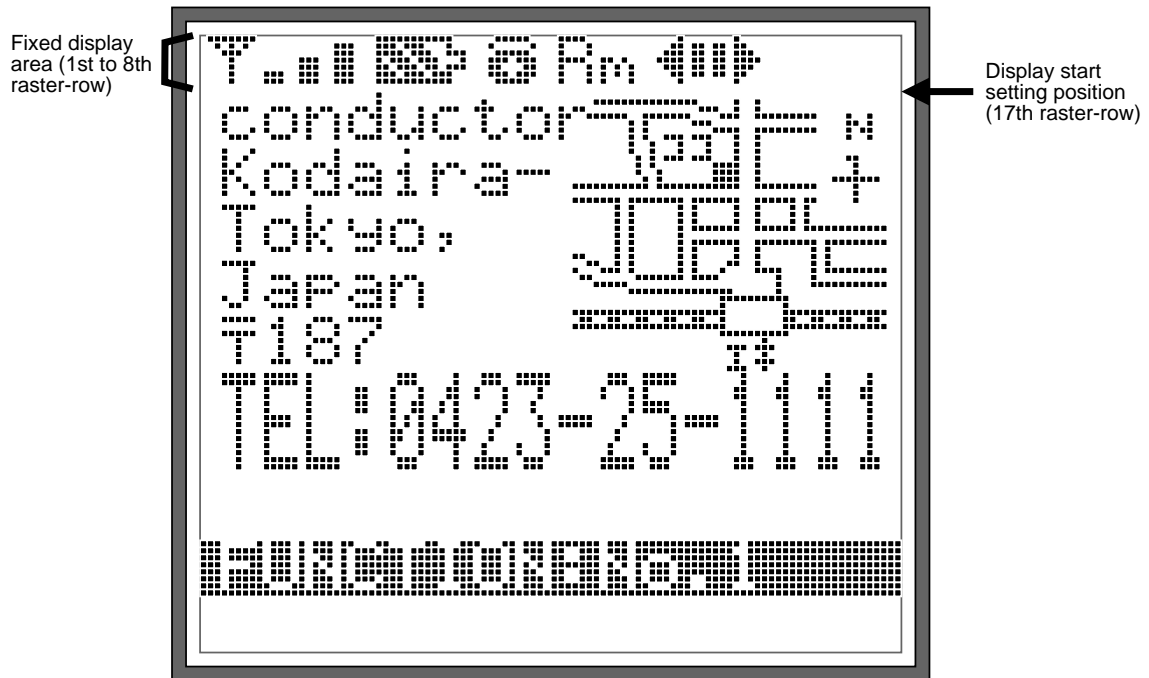


Figure 53 Example of display screen in the partial smooth scroll mode (2)

Double-height Display Function

The HD66750S can double the height of any desired area in units of raster-rows (dots). The double-height display is done by setting the DHE bit in the display control register to 1.

The start position of the double-height display is set by the DS6 to DS0 bits of the double-height display position register, and the double-height display starts at the (the setting value plus one)-th raster-row. The end position is set by the DE6 to DE0 bits of the double-height display position register, and the display ends at the (the setting value plus one)-th raster-row. Here, the end position of the double-height display must be after the start position, so set the register setting values so that $DS6-0 \leq DE6-0$. When the area specified to be doubled in height is an odd number of raster-rows, the double-height display is done up to the (DE6-0 plus one)-th raster-row.

In vertical smooth scrolling, the double-height display position does not automatically move up or down.

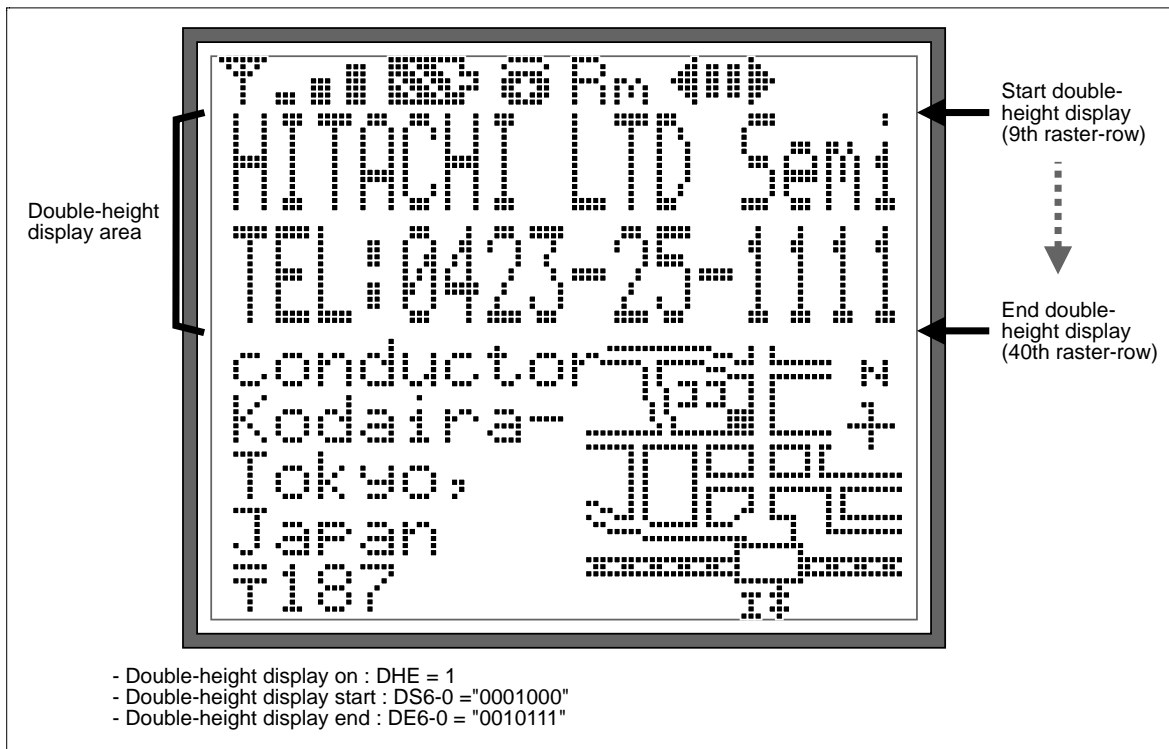


Figure 54 Double-height display (9th to 40th raster-rows)

Reversed Display Function

The HD66750S can display graphics display sections by black-and-white reversal. Black-and-white reversal can be easily displayed when the REV bit in the display control register is set to 1.

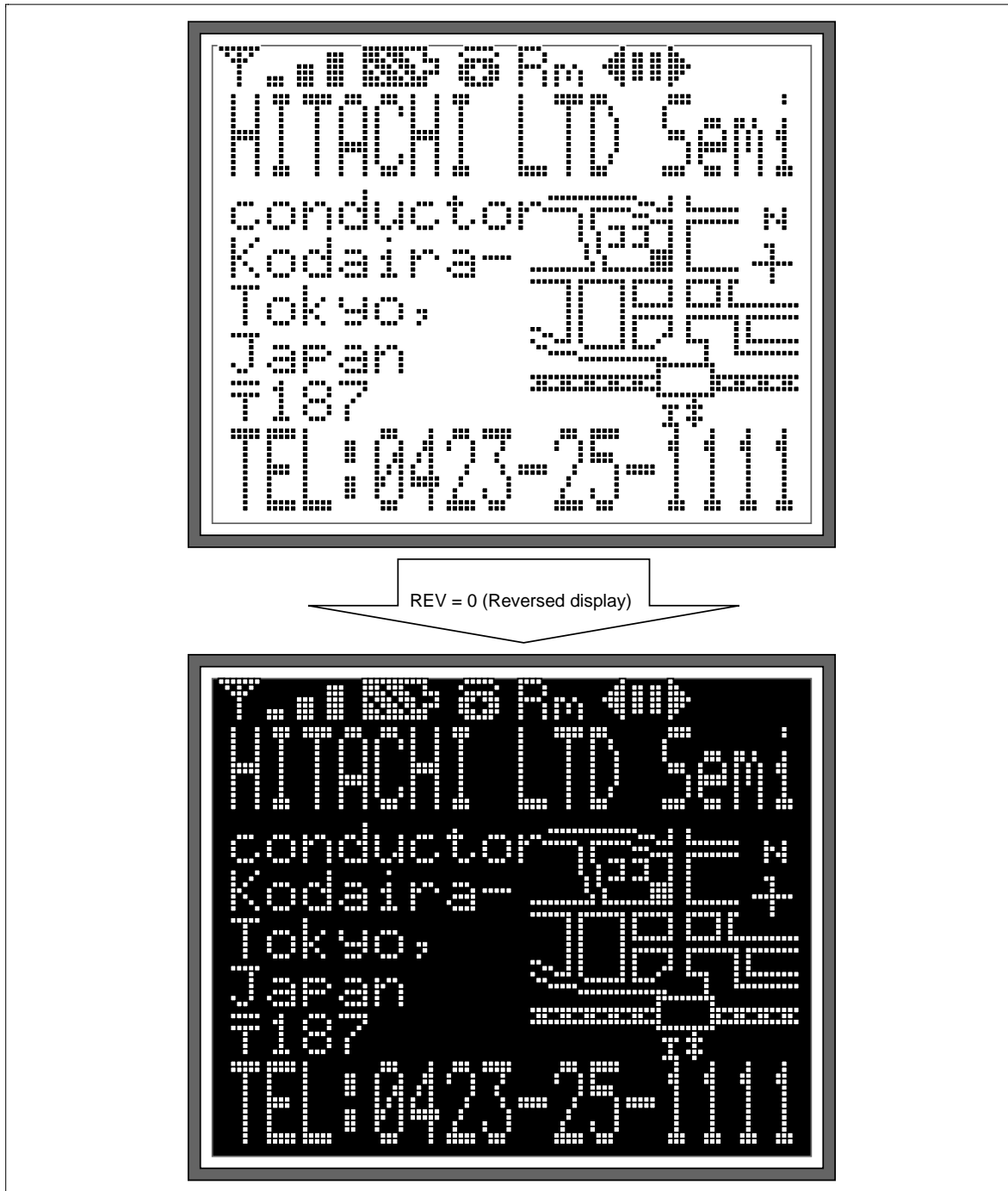


Figure 55 Reversed display

HD66750S

Partial-display-on Function

The HD66750S can program the liquid crystal display drive duty ratio setting (NL3-0 bits), the liquid crystal display drive bias value selection (BS2-0 bits), the boost output level selection (BT1-0 bits), and the contrast adjustment (CT5-0 bits). For example, when the 128 x 120-dot screen is normally displayed with a 1/120 duty ratio, the HD66750S can selectively drive only the center of the screen or the top of the screen by combining these register functions and the centering display function (CN bit). This is called partial-display-on. Lowering the liquid crystal display drive duty ratio reduces the liquid crystal display drive voltage, thus reducing internal current consumption. This is suitable for a 16 raster-row display (1/16 duty ratio) of a calendar or time in the system-standby state, or the display of only graphics icons (pictograms) at the top of the screen, which enables continuous display with minimal current consumption. The non-displayed lines are constantly driven by the unselected level voltage, thus turning off the LCD for these lines.

In general, lowering the liquid crystal display drive duty ratio decreases the optimum liquid crystal display drive voltage and liquid crystal display drive bias value. This reduces output multiplying factors in the booster and greatly controls current consumption.

When the boosting factor is changed according to partial display, the display should be in the off state during the period before the boost output voltage stabilizes.

Table 28 Partial-display-on Function (1/120-duty Normal Drive)

Item	Normal Display	Partial-on Display (Limited to Four-line Display)	
LCD screen	128 x 120 dots	128 x 16 dots only on the center of the screen	128 x 16 dots only at the top of the screen
LCD drive position shift	Not necessary (CN = 0)	Necessary (CN = 1)	Not necessary (CN = 0)
LCD drive duty ratio	1/120 (NL3 to 0 = 1110)	1/16 (NL3 to 0 = 0001)	1/16 (NL3 to 0 = 0001)
LCD drive bias value (optimum)	1/11 (BS2 to 0 = 000)	1/5 (BS2 to 0 = 110)	1/5 (BS2 to 0 = 110)
LCD drive voltage*	13.5 V to 15.5 V (precisely adjustable using CT5 to 0)	4 V to 5 V (precisely adjustable using CT5 to 0)	4 V to 5 V (precisely adjustable using CT5 to 0)
Boosting output multiplying factor	Six times (BT1 to 0 = 10)	Two times (BT1 to 0 = 00)	Two times (BT1 to 0 = 00)
Frame frequency (fosc = 70 kHz)	68 Hz	68 Hz	68 Hz

Note: The LCD drive voltage depends on the LCD materials used. Since the LCD drive voltage is high when the LCD drive duty ratio is high, a low duty ratio enables low-power consumption.

HD66750S

Sleep Mode

Setting the sleep mode bit (SLP) to 1 puts the HD66750S in the sleep mode, where the device stops all internal display operations, thus reducing current consumption. Specifically, LCD operation is completely halted. Here, all the SEG (SEG1 to SEG128) and COM (COM1 to COM128) pins output the GND level, resulting in no display. If the AP1-0 bits in the power control register are set to 00 in the sleep mode, the LCD drive power supply can be turned off, reducing the total current consumption of the LCD module.

Table 29 Comparison of Sleep Mode and Standby Mode

Function	Sleep Mode (SLP = 1)	Standby Mode (STB = 1)
LCD control	Turned off	Turned off
R-C oscillation circuit	Operates normally	Operation stopped

Standby Mode

Setting the standby mode bit (STB) to 1 puts the HD66750S in the standby mode, where the device stops completely, halting all internal operations including the R-C oscillation circuit, thus further reducing current consumption compared to that in the sleep mode. Specifically, all the SEG (SEG1 to SEG128) and COM (COM1 to COM128) pins for the multiplexing drive output the GND level, resulting in no display. If the AP1-0 bits are set to 00 in the standby mode, the LCD drive power supply can be turned off.

During the standby mode, no instructions can be accepted other than the start-oscillation instruction. To cancel the standby mode, issue the start-oscillation instruction to stabilize R-C oscillation before setting the STB bit to 0.

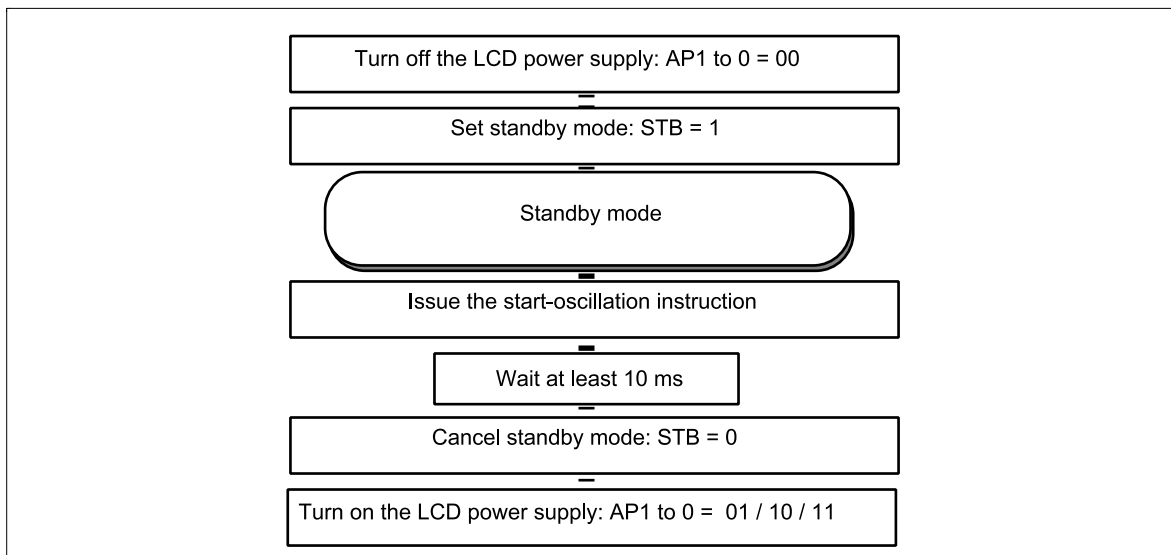


Figure 58 Procedure for Setting and Canceling Standby Mode

Absolute Maximum Ratings

Item	Symbol	Unit	Value	Notes*
Power supply voltage (1)	V_{CC}	V	-0.3 to +4.6	1, 2
Power supply voltage (2)	$V_{LCD} - GND$	V	-0.3 to +16.5	1, 3
Input voltage	V_t	V	-0.3 to $V_{CC} + 0.3$	1
Operating temperature	T_{opr}	°C	-40 to +85	1, 4

Notes: 1. If the LSI is used above these absolute maximum ratings, it may become permanently damaged. Using the LSI within the following electrical characteristics limits is strongly recommended for normal operation. If these electrical characteristic conditions are also exceeded, the LSI will malfunction and cause poor reliability.

2. $V_{CC} > GND$ must be maintained.
3. $V_{LCD} > GND$ must be maintained.
4. For die and wafer products, specified up to 85°C.

HD66750S

DC Characteristics ($V_{CC} = 1.8$ to 3.6 V, $T_a = -40$ to $+85^\circ\text{C}^{*1}$)

Item	Symbol	Min	Typ	Max	Unit	Test Condition	Notes
Input high voltage	V_{IH}	$0.7 V_{CC}$	—	V_{CC}	V		2, 3
Input low voltage (1) (Except I2C bus interface pins)	V_{IL1}	-0.3	—	$0.15 V_{CC}$	V	$V_{CC} = 1.8$ to 3.6 V	2, 3
Input low voltage (2) (SDA and SCL : I2C bus interface pins)	V_{IL2}	-0.3	—	$0.3 V_{CC}$	V	$V_{CC} = 1.8$ to 3.6 V	2, 3
Output high voltage (1) (DB0-15 pins)	V_{OH1}	$0.75 V_{CC}$	—	—	V	$I_{OH} = -0.1$ mA	2
Output low voltage (1) (DB0-15 pins)	V_{OL1}	—	—	$0.2 V_{CC}$	V	$V_{CC} = 1.8$ to 2.4 V, $I_{OL} = 0.1$ mA	2
		—	—	$0.15 V_{CC}$	V	$V_{CC} = 2.4$ to 3.6 V, $I_{OL} = 0.1$ mA	2
Driver ON resistance (COM pins)	R_{COM}	—	3	10	k Ω	$\pm I_d = 0.05$ mA, $V_{LCD} = 10$ V	4
Driver ON resistance (SEG pins)	R_{SEG}	—	3	10	k Ω	$\pm I_d = 0.05$ mA, $V_{LCD} = 10$ V	4
I/O leakage current	I_{Li}	-1	—	1	μA	$V_{in} = 0$ to V_{CC}	5
Current consumption during normal operation ($V_{CC} - \text{GND}$)	I_{OP}	—	50	90	μA	R-C oscillation, $V_{CC} = 2.7$ V, $T_a = 25^\circ\text{C}$, $f_{OSC} = 70$ kHz (1/120 duty) Writing to RAM: checker pattern	6, 7
Current consumption during standby mode ($V_{CC} - \text{GND}$)	I_{ST}	—	0.1	5	μA	$V_{CC} = 2.7$ V, $T_a = 25^\circ\text{C}$	6, 7
LCD drive power supply current ($V_{LCD} - \text{GND}$)	I_{LCD}	—	25	40	μA	$V_{CC} = 3$ V, $V_{LCD} = 15$ V, 1/11 bias, $T_a = 25^\circ\text{C}$, $f_{OSC} = 70$ kHz Fixed current of operational amplifier: small	7
LCD drive voltage ($V_{LCD} - \text{GND}$)	V_{LCD}	5.0	—	15.5	V		8

Note: For the numbered notes, refer to the Electrical Characteristics Notes section following these tables.

Booster Characteristics

Item	Symbol	Min	Typ	Max	Unit	Test Condition	Notes
Two-times-boost output voltage (VLOUT pin)	V_{UP2}	3.9	4.2	4.4	V	$V_{CC} = V_{ci} = 2.2\text{ V}$, $I_o = 30\ \mu\text{A}$, $C = 1\ \mu\text{F}$, $f_{OSC} = 70\ \text{kHz}$, $T_a = 25^\circ\text{C}$	11
Five-times-boost output voltage (VLOUT pin)	V_{UP5}	10.5	10.8	11.0	V	$V_{CC} = V_{ci} = 2.2\text{ V}$, $I_o = 30\ \mu\text{A}$, $C = 1\ \mu\text{F}$, $f_{OSC} = 70\ \text{kHz}$, $T_a = 25^\circ\text{C}$	11
Six-times-boost output voltage (VLOUT pin)	V_{UP6}	12.7	12.9	13.2	V	$V_{CC} = V_{ci} = 2.2\text{ V}$, $I_o = 30\ \mu\text{A}$, $C = 1\ \mu\text{F}$, $f_{OSC} = 70\ \text{kHz}$, $T_a = 25^\circ\text{C}$	11
Seven-times-boost output voltage (VLOUT pin)	V_{UP7}	14.9	15.1	15.4	V	$V_{CC} = V_{ci} = 2.2\text{ V}$, $I_o = 30\ \mu\text{A}$, $C = 1\ \mu\text{F}$, $f_{OSC} = 70\ \text{kHz}$, $T_a = 25^\circ\text{C}$	11
Use range of boost output voltages	V_{UP2} V_{UP5} V_{UP6} V_{UP7}	V_{CC}	—	15.5	V	For two- to seven-times boost	11

Note: For the numbered notes, refer to the Electrical Characteristics Notes section following these tables.

HD66750S

AC Characteristics ($V_{CC} = 1.8$ to 3.6 V, $T_a = -40$ to $+85^\circ\text{C}^{*1}$)

Clock Characteristics ($V_{CC} = 1.8$ to 3.6 V)

Item	Symbol	Min	Typ	Max	Unit	Test Condition	Notes
External clock frequency	f _{cp}	50	75	150	kHz		9
External clock duty ratio	Duty	45	50	55	%		9
External clock rise time	trcp	—	—	0.2	μs		9
External clock fall time	t _{fcp}	—	—	0.2	μs		9
R-C oscillation clock	f _{osc}	59	74	89	kHz	R _f = 330 kΩ, V _{CC} = 3 V	10

Note: For the numbered notes, refer to the Electrical Characteristics Notes section following these tables.

68-system Bus Interface Timing Characteristics

(V_{CC} = 1.8 to 2.4 V)

Item	Symbol	Min	Typ	Max	Unit	Test Condition
Enable cycle time	Write t _{CYCE}	600	—	—	ns	Figure 65
	Read t _{CYCE}	800	—	—		
Enable high-level pulse width	Write PW _{EH}	120	—	—	ns	Figure 65
	Read PW _{EH}	350	—	—		
Enable low-level pulse width	Write PW _{EL}	300	—	—	ns	Figure 65
	Read PW _{EL}	400	—	—		
Enable rise/fall time	t _{Er} , t _{Ef}	—	—	25	ns	Figure 65
Setup time (RS, R/W to E, CS*)	t _{ASE}	50	—	—	ns	Figure 65
Address hold time	t _{AHE}	20	—	—	ns	Figure 65
Write data setup time	t _{DSWE}	60	—	—	ns	Figure 65
Write data hold time	t _{HE}	20	—	—	ns	Figure 65
Read data delay time	t _{DDRE}	—	—	300	ns	Figure 65
Read data hold time	t _{DHRE}	5	—	—	ns	Figure 65

(V_{CC} = 2.4 to 3.6 V)

Item	Symbol	Min	Typ	Max	Unit	Test Condition
Enable cycle time	Write t_{CYCE}	380	—	—	ns	Figure 65
	Read t_{CYCE}	500	—	—		
Enable high-level pulse width	Write PW_{EH}	70	—	—	ns	Figure 65
	Read PW_{EH}	250	—	—		
Enable low-level pulse width	Write PW_{EL}	150	—	—	ns	Figure 65
	Read PW_{EL}	200	—	—		
Enable rise/fall time	t_{Er}, t_{Ef}	—	—	25	ns	Figure 65
Setup time (RS, R/W to E, CS*)	t_{ASE}	50	—	—	ns	Figure 65
Address hold time	t_{AHE}	20	—	—	ns	Figure 65
Write data setup time	t_{DSWE}	60	—	—	ns	Figure 65
Write data hold time	t_{HE}	20	—	—	ns	Figure 65
Read data delay time	t_{DDRE}	—	—	200	ns	Figure 65
Read data hold time	t_{DHRE}	5	—	—	ns	Figure 65

HD66750S

80-system Bus Interface Timing Characteristics

(V_{CC} = 1.8 to 2.4 V)

Item	Symbol	Min	Typ	Max	Unit	Test Condition
Bus cycle time	Write t_{CYCW}	600	—	—	ns	Figure 66
	Read t_{CYCR}	800	—	—	ns	Figure 66
Write low-level pulse width	PW_{LW}	120	—	—	ns	Figure 66
Read low-level pulse width	PW_{LR}	350	—	—	ns	Figure 66
Write high-level pulse width	PW_{HW}	300	—	—	ns	Figure 66
Read high-level pulse width	PW_{HR}	400	—	—	ns	Figure 66
Write/Read rise/fall time	$t_{WRr, WRf}$	—	—	25	ns	Figure 66
Setup time (RS to CS*, WR*, RD*)	t_{AS}	50	—	—	ns	Figure 66
Address hold time	t_{AH}	20	—	—	ns	Figure 66
Write data setup time	t_{DSW}	60	—	—	ns	Figure 66
Write data hold time	t_H	20	—	—	ns	Figure 66
Read data delay time	t_{DDR}	—	—	300	ns	Figure 66
Read data hold time	t_{DHR}	5	—	—	ns	Figure 66

(V_{CC} = 2.4 to 3.6 V)

Item	Symbol	Min	Typ	Max	Unit	Test Condition
Bus cycle time	Write t_{CYCW}	380	—	—	ns	Figure 66
	Read t_{CYCR}	500	—	—	ns	Figure 66
Write low-level pulse width	PW_{LW}	70	—	—	ns	Figure 66
Read low-level pulse width	PW_{LR}	250	—	—	ns	Figure 66
Write high-level pulse width	PW_{HW}	150	—	—	ns	Figure 66
Read high-level pulse width	PW_{HR}	200	—	—	ns	Figure 66
Write/Read rise/fall time	$t_{WRr, WRf}$	—	—	25	ns	Figure 66
Setup time (RS to CS*, WR*, RD*)	t_{AS}	50	—	—	ns	Figure 66
Address hold time	t_{AH}	20	—	—	ns	Figure 66
Write data setup time	t_{DSW}	60	—	—	ns	Figure 66
Write data hold time	t_H	20	—	—	ns	Figure 66
Read data delay time	t_{DDR}	—	—	200	ns	Figure 66
Read data hold time	t_{DHR}	5	—	—	ns	Figure 66

Reset Timing Characteristics (V_{CC} = 1.8 to 3.6 V)

Item	Symbol	Min	Typ	Max	Unit	Test Condition
Reset low-level width	t_{RES}	1	—	—	ms	Figure 69

Clock Synchronized Serial Interface Timing Characteristics
(V_{CC} = 1.8 to 2.4 V)

Item		Symbol	Min	Typ	Max	Unit	Test Condition
Serial clock cycle time	At write (receive)	t_{SCYC}	0.5	—	20	us	Figure 67, 68
	At read (send)	t_{SCYC}	1	—	20	us	Figure 67, 68
Serial clock high-level pulse width	At write (receive)	t_{SCH}	230	—	—	ns	Figure 67, 68
	At read (send)	t_{SCH}	480	—	—	ns	Figure 67, 68
Serial clock low-level pulse width	At write (receive)	t_{CWL}	230	—	—	ns	Figure 67, 68
	At read (send)	t_{CWL}	480	—	—	ns	Figure 67, 68
Serial clock rise/fall time		t_{SCr}, t_{SCf}	—	—	20	ns	Figure 67, 68
CS* Setup time		t_{CSU}	60	—	—	ns	Figure 67, 68
CS* hold time		t_{CH}	200	—	—	ns	Figure 67, 68
Serial input data setup time		t_{SISU}	100	—	—	ns	Figure 67
Serial input data hold time		t_{SIH}	100	—	—	ns	Figure 67
Serial output data delay time		t_{SOD}	—	—	400	ns	Figure 68
Serial output data hold time		t_{SOH}	5	—	—	ns	Figure 68

HD66750S

(V_{CC} = 2.4 to 3.6 V)

Item		Symbol	Min	Typ	Max	Unit	Test Condition
Serial clock cycle time	At write (receive)	t _{SCYC}	0.2	—	20	us	Figure 67, 68
	At read (send)	t _{SCYC}	0.5	—	20	us	Figure 67, 68
Serial clock high-level pulse width	At write (receive)	t _{SCH}	80	—	—	ns	Figure 67, 68
	At read (send)	t _{SCH}	230	—	—	ns	Figure 67, 68
Serial clock low-level pulse width	At write (receive)	t _{SWL}	80	—	—	ns	Figure 67, 68
	At read (send)	t _{SWL}	230	—	—	ns	Figure 67, 68
Serial clock rise/fall time		t _{SCr} , t _{SCf}	—	—	20	ns	Figure 67, 68
CS* Setup time		t _{CSU}	60	—	—	ns	Figure 67, 68
CS* hold time		t _{CH}	200	—	—	ns	Figure 67, 68
Serial input data setup time		t _{SISU}	40	—	—	ns	Figure 67
Serial input data hold time		t _{SIH}	40	—	—	ns	Figure 67
Serial output data delay time		t _{SOD}	—	—	200	ns	Figure 68
Serial output data hold time		t _{SOH}	5	—	—	ns	Figure 68

I2C Bus Interface Timing Characteristics

(V_{CC} = 1.8 to 3.6 V)

Item		Symbol	Min	Typ	Max	Unit	Test Condition
SCL clock frequency		f _{SCL}	0	—	1300	kHz	Figure 68a
SCL clock high-level pulse width		t _{SCLH}	120	—	—	ns	Figure 68a
SCL clock low-level pulse width		t _{SCLL}	240	—	—	ns	Figure 68a
SCL/SDA rise time		t _{Sr}	10	—	160	ns	Figure 68a
SCL/SDA fall time		t _{Sf}	10	—	70	ns	Figure 68a
Bus free time		t _{BUF}	240	—	—	ns	Figure 68a
Start condition hold time		t _{STAH}	320	—	—	ns	Figure 68a
Setup time for a repeated START condition		t _{STAS}	320	—	—	ns	Figure 68a
Setup time for STOP condition		t _{STOS}	320	—	—	ns	Figure 68a
SDA data setup time		t _{SDAS}	40	—	—	ns	Figure 68a
SDA data hold time		t _{SDAH}	0	—	—	ns	Figure 68a
SCL/SDA spike pulse width		t _{SP}	0	—	10	ns	Figure 68a

Electrical Characteristics Notes

1. For bare die and wafer products, specified up to 85°C.
2. The following three circuits are I/O pin configurations (figure 59).

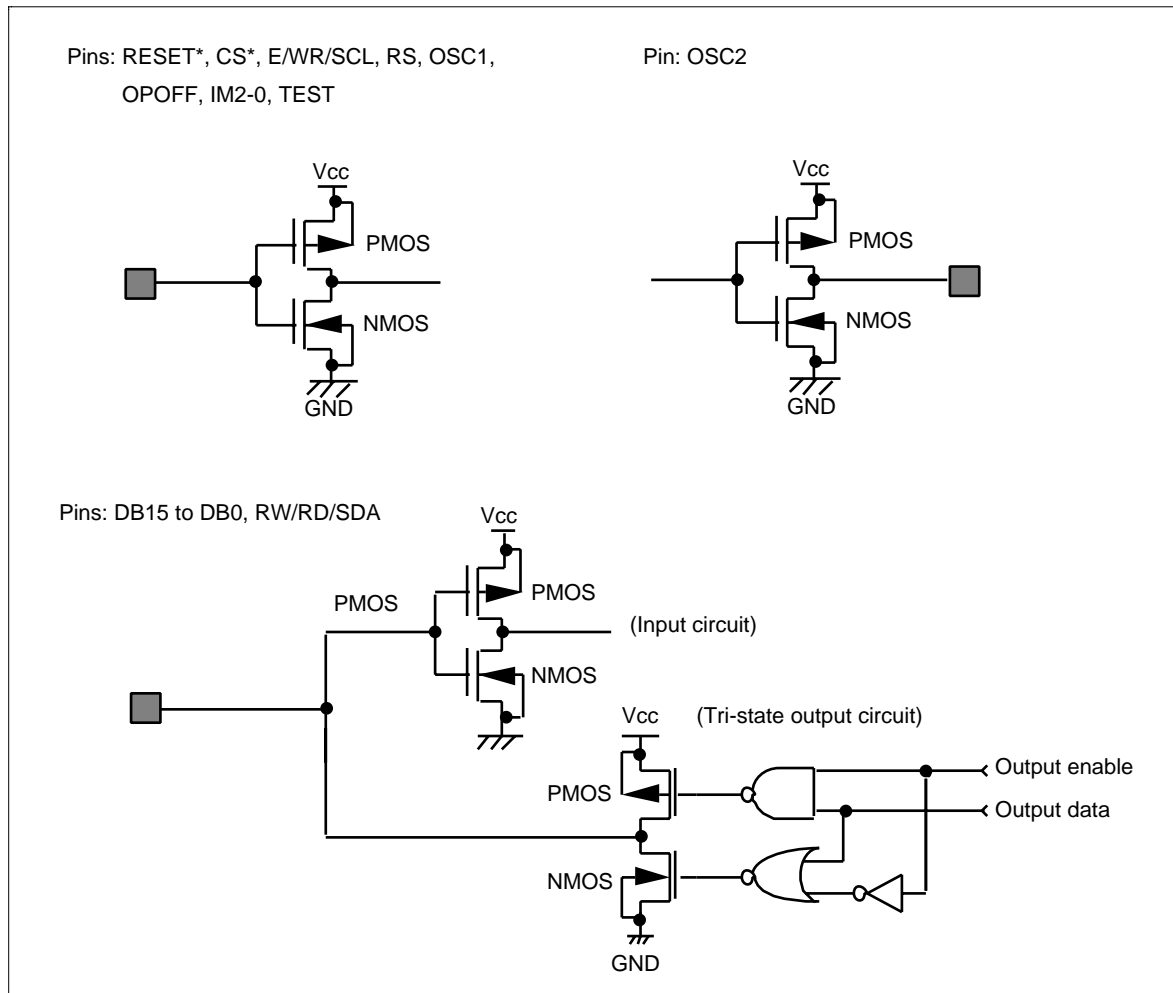


Figure 59 I/O Pin Configuration

HD66750S

3. The TEST pin must be grounded and the IM1/0 and OPOFF pins must be grounded or connected to Vcc.
4. Applies to the resistor value (RCOM) between power supply pins V1OUT, V2OUT, V5OUT, GND and common signal pins, and resistor value (RSEG) between power supply pins V1OUT, V3OUT, V4OUT, GND and segment signal pins.
5. This excludes the current flowing through output drive MOSs.
6. This excludes the current flowing through the input/output units. The input level must be fixed high or low because through current increases if the CMOS input is left floating.
7. The following shows the relationship between the operation frequency (fosc) and current consumption (Icc) (figure 60).

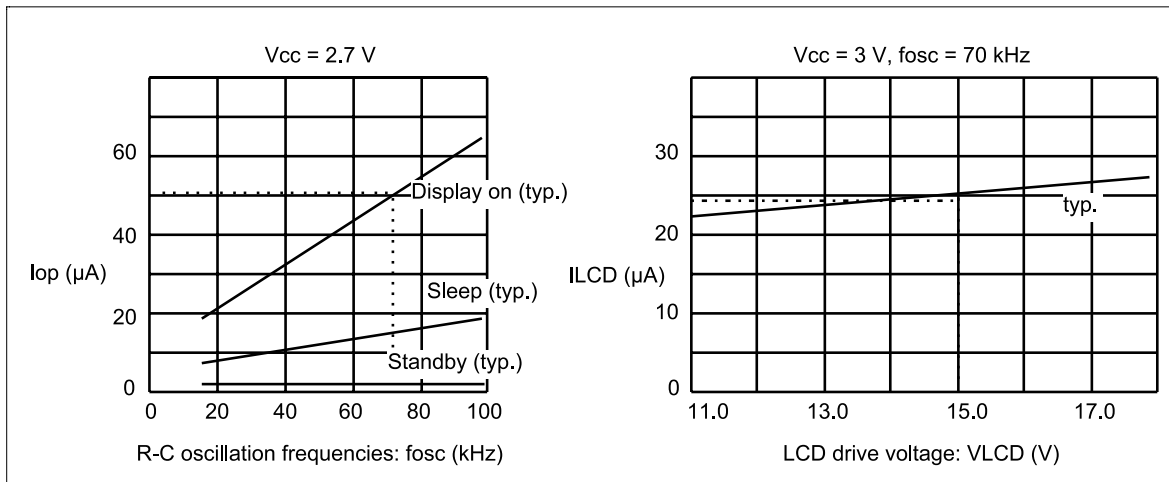


Figure 60 Relationship between the Operation Frequency and Current Consumption

8. Each COM and SEG output voltage is within ± 0.15 V of the LCD voltage (Vcc, V1, V2, V3, V4, V5) when there is no load.
9. Applies to the external clock input (figure 61).

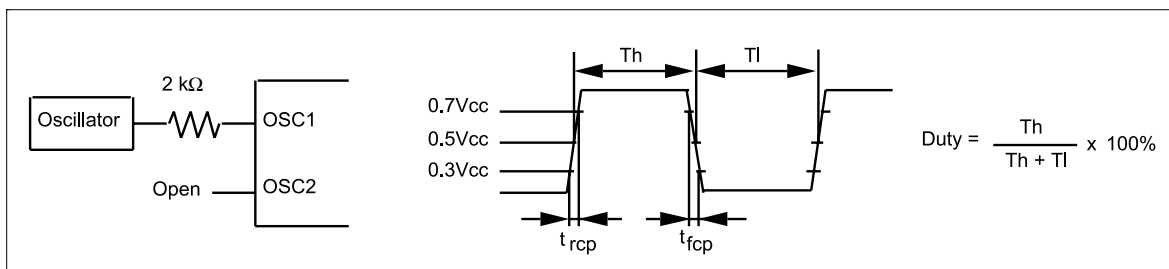


Figure 61 External Clock Supply

10. Applies to the internal oscillator operations using external oscillation resistor Rf (figure 62 and table 30).

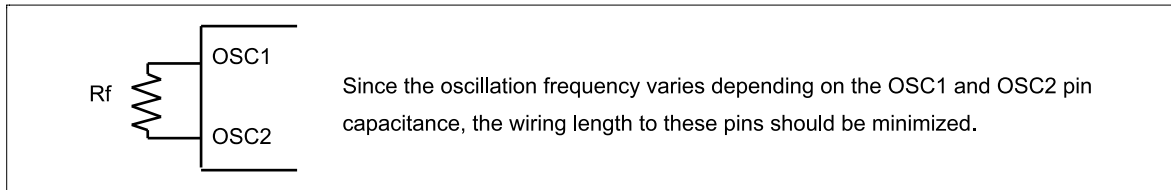


Figure 62 Internal Oscillation

Table 30 External Resistance Value and R-C Oscillation Frequency (Referential Data)

External Resistance (Rf)	R-C Oscillation Frequency: fosc			
	Vcc = 1.8 V	Vcc = 2.2 V	Vcc = 3.0 V	Vcc = 3.6 V
200 kΩ	89 kHz	103 kHz	115 kHz	121 kHz
270 kΩ	70 kHz	80 kHz	88 kHz	92 kHz
300 kΩ	65 kHz	73 kHz	80 kHz	83 kHz
330 kΩ	60 kHz	68 kHz	74 kHz	77 kHz
360 kΩ	55 kHz	62 kHz	68 kHz	71 kHz
390 kΩ	52 kHz	58 kHz	64 kHz	66 kHz
430 kΩ	48 kHz	53 kHz	58 kHz	60 kHz
470 kΩ	44 kHz	48 kHz	52 kHz	54 kHz

11. Booster characteristics test circuits are shown in figure 63.

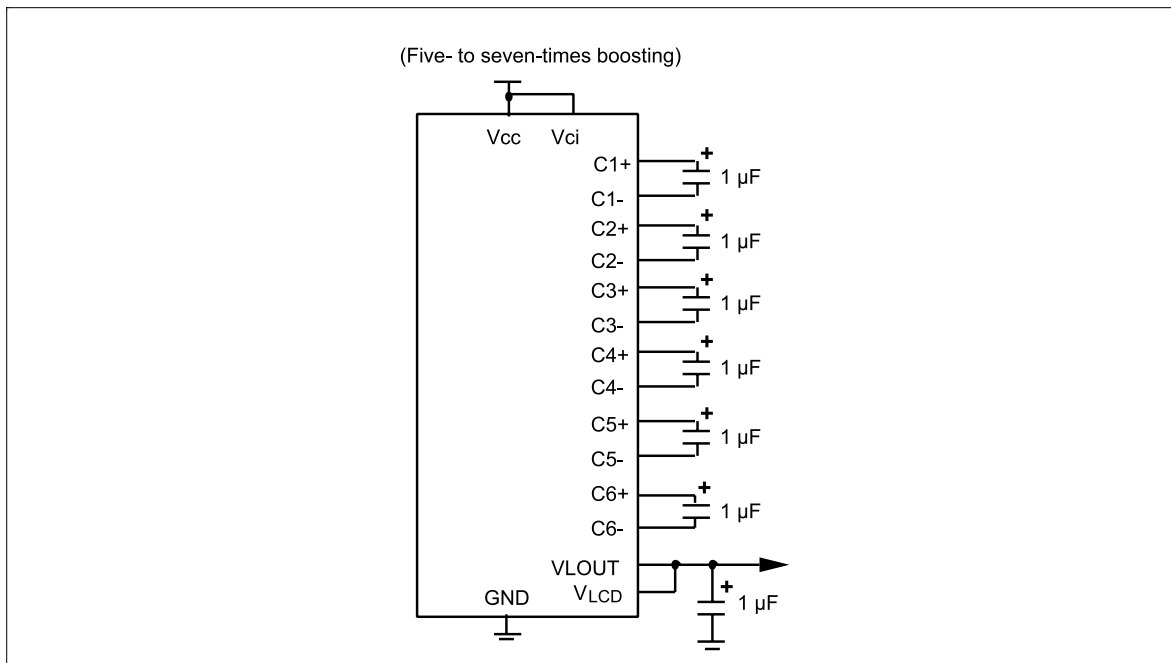
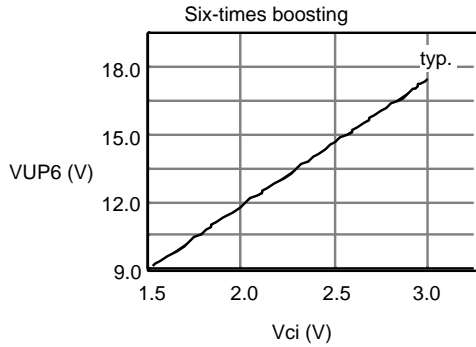


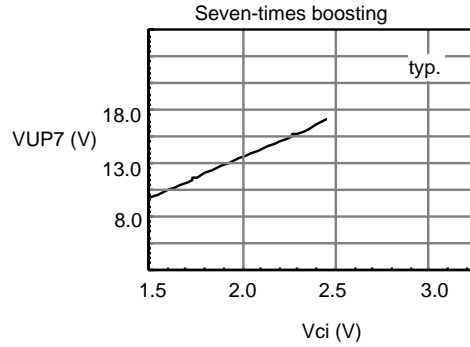
Figure 63 Booster

Referential data
 VUP6 = VLCD-GND, VUP7 = VLCD-GND

(i) Relation between the obtained voltage and input voltage

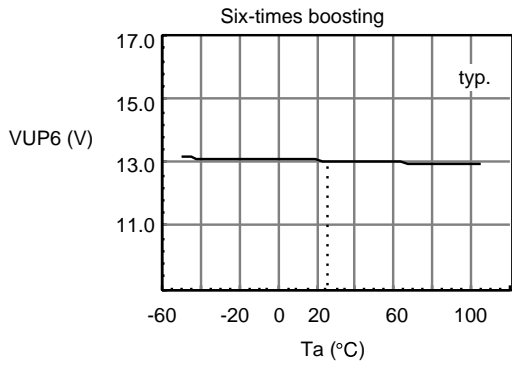


Vci = Vcc, fosc = 70 kHz, Ta = 25°C, DC1 to 0 = 00

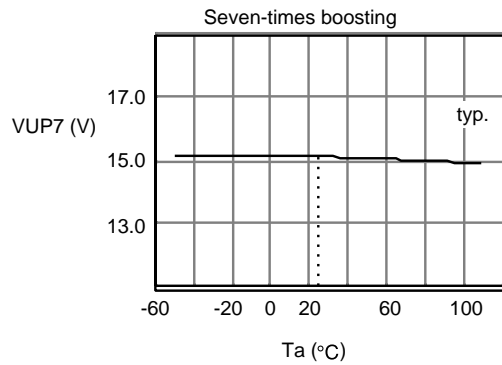


Vci = Vcc, fosc = 70 kHz, Ta = 25°C, DC1 to 0 = 00

(ii) Relation between the obtained voltage and temperature

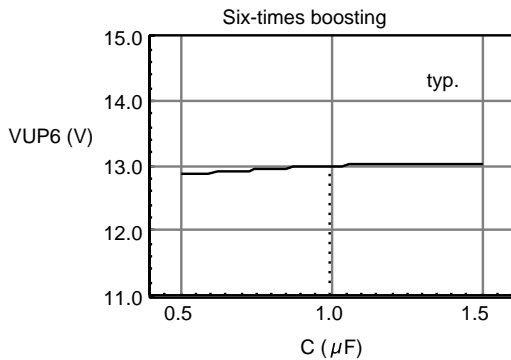


Vci = Vcc = 2.2 V, fosc = 70 kHz, Io = 30 μA, DC1 to 0 = 00

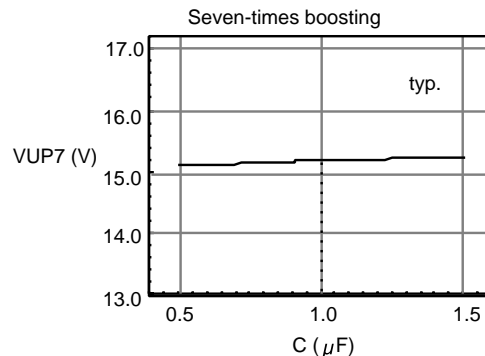


Vci = Vcc = 2.2 V, fosc = 70 kHz, Io = 30 μA, DC1 to 0 = 00

(iii) Relation between the obtained voltage and capacity



Vci = Vcc = 2.2 V, fosc = 70 kHz, Io = 30 μA, DC1 to 0 = 00



Vci = Vcc = 2.2 V, fosc = 70 kHz, Io = 30 μA, DC1 to 0 = 00

Figure 63 Booster (cont)

(iv) Relation between the obtained voltage and current

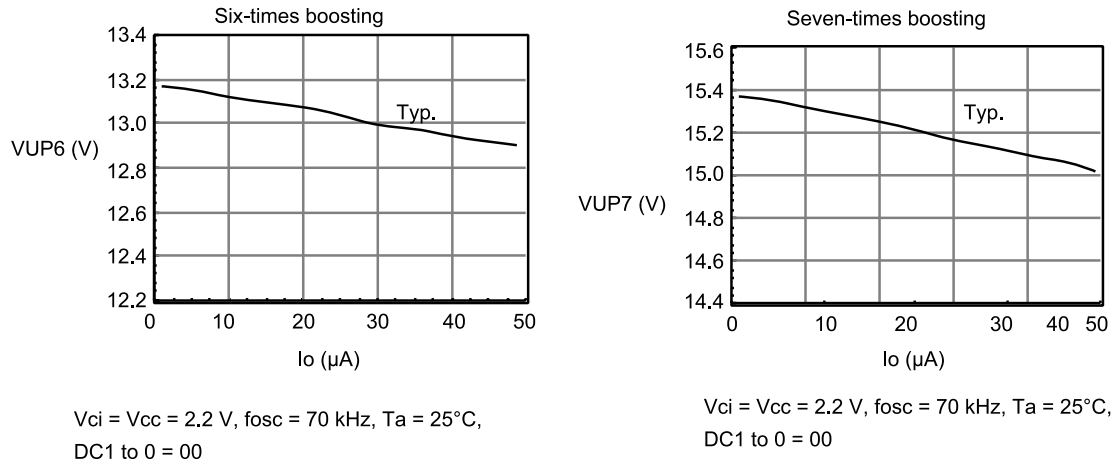


Figure 63 Booster (cont)

Load Circuits

AC Characteristics Test Load Circuits

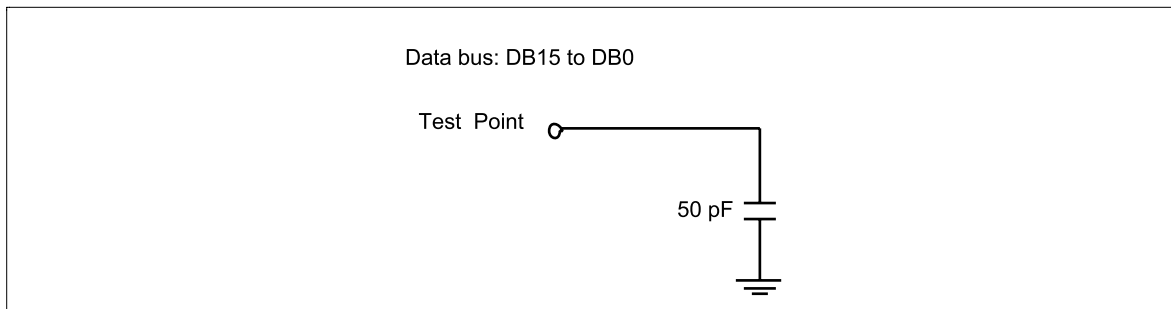


Figure 64 Load Circuit

HD66750S

Timing Characteristics

68-system Bus Operation

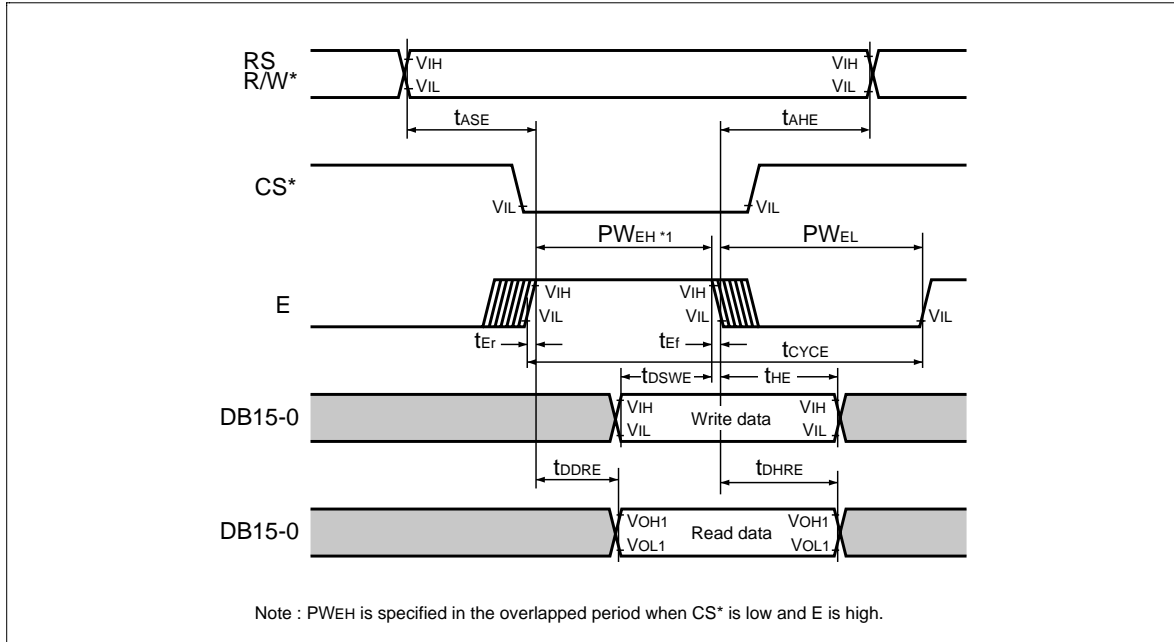


Figure 65 68-system Bus Timing

80-system Bus Operation

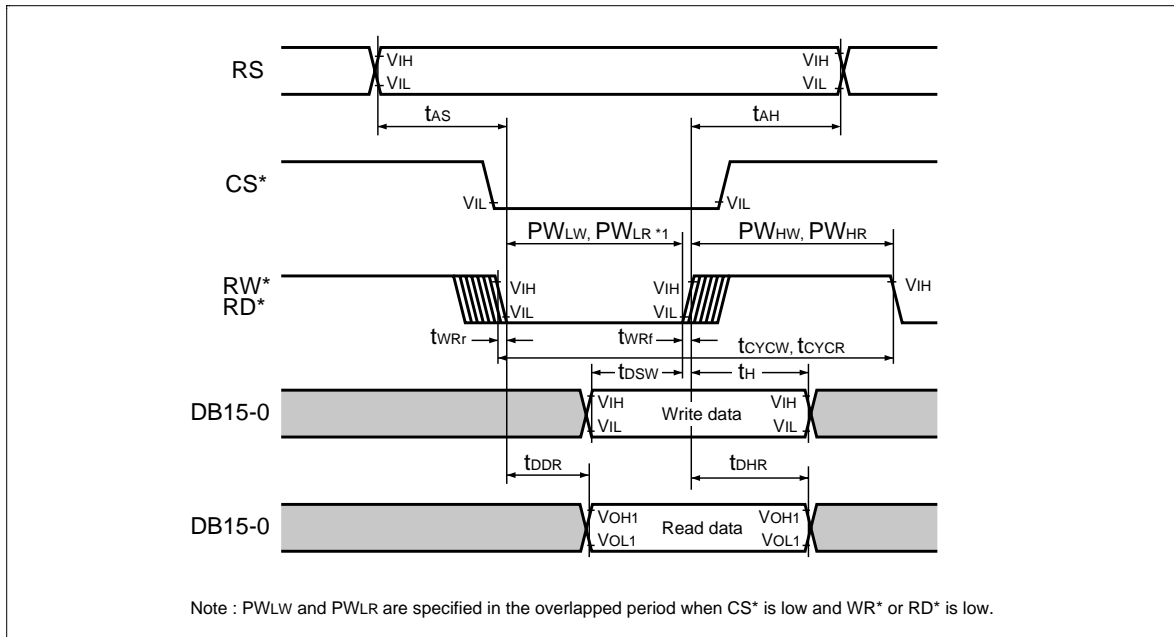


Figure 66 80-system Bus Timing

Clock Synchronized Serial Interface Operation

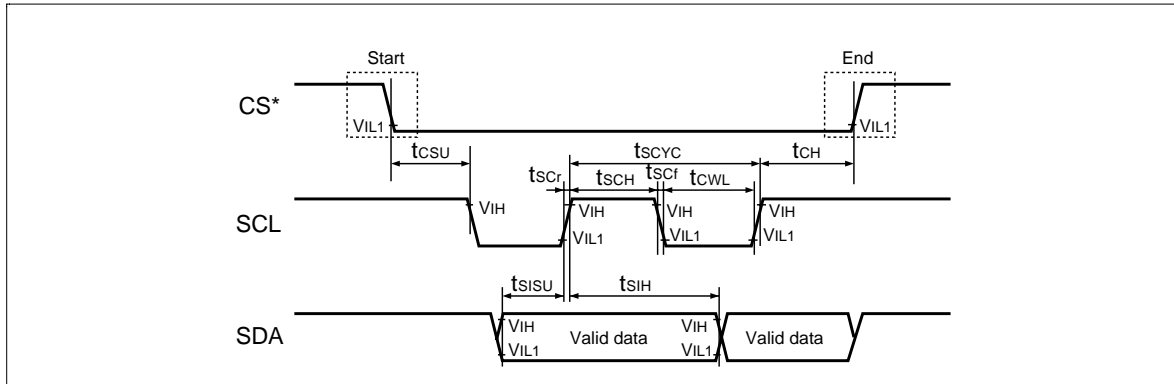


Figure 67 Clock Synchronized Serial Interface Input Timing

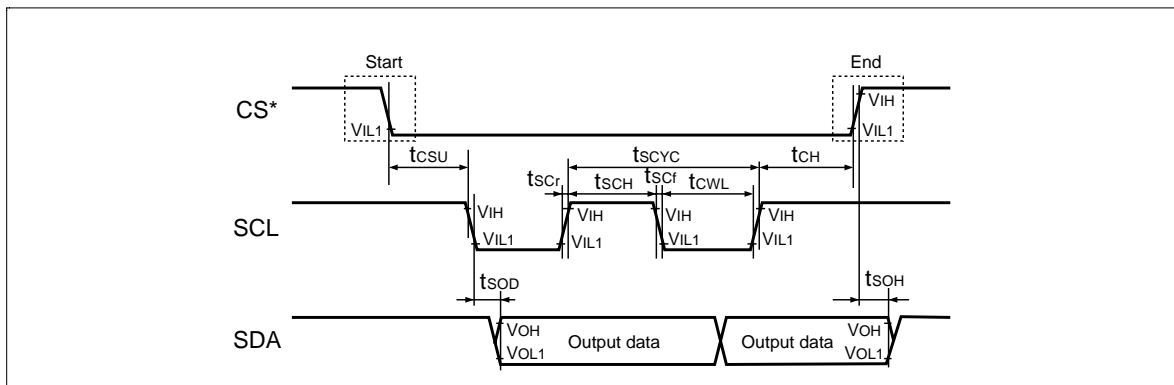


Figure 68 Clock Synchronized Serial Interface Output Timing

I2C Bus Interface Operation

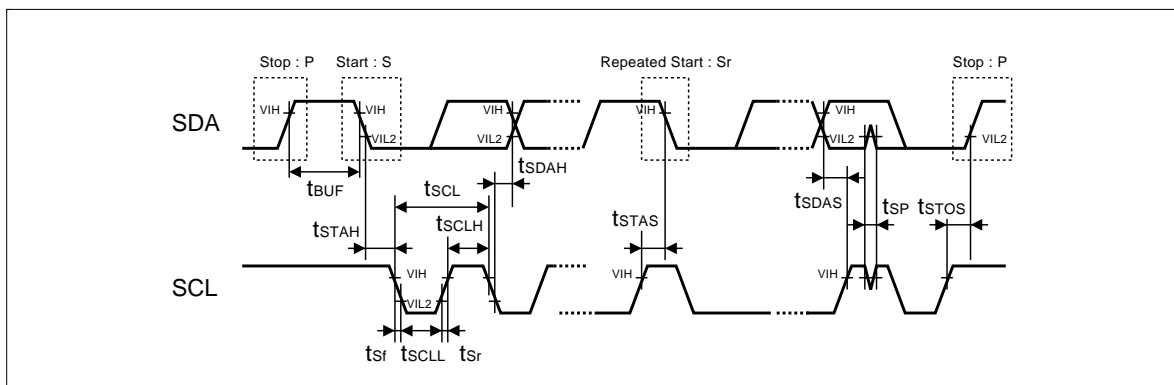


Figure 68a I2C Bus Interface Operation

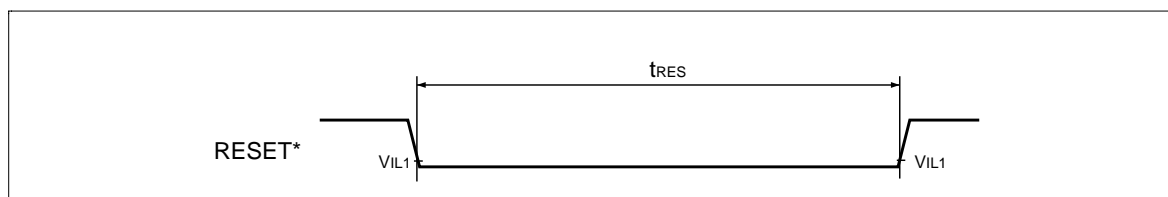
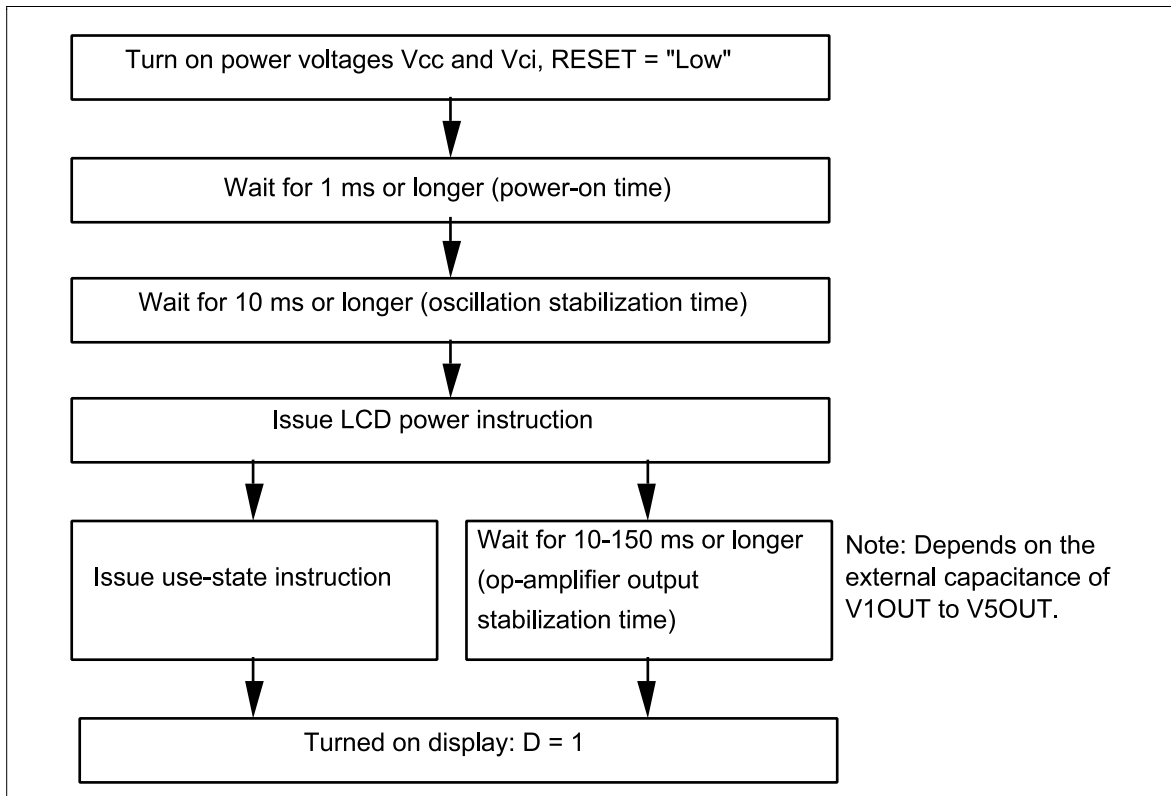


Figure 69 Reset Timing

Power-on/off Sequence

To prevent pulse lighting of LCD screens at power-on/off, the power-on/off sequence is activated as shown below. However, since the sequence depends on LCD materials to be used, confirm the conditions by using your own system.

Power-on Sequence

Figure 70 Power-on Sequence

HD66750S

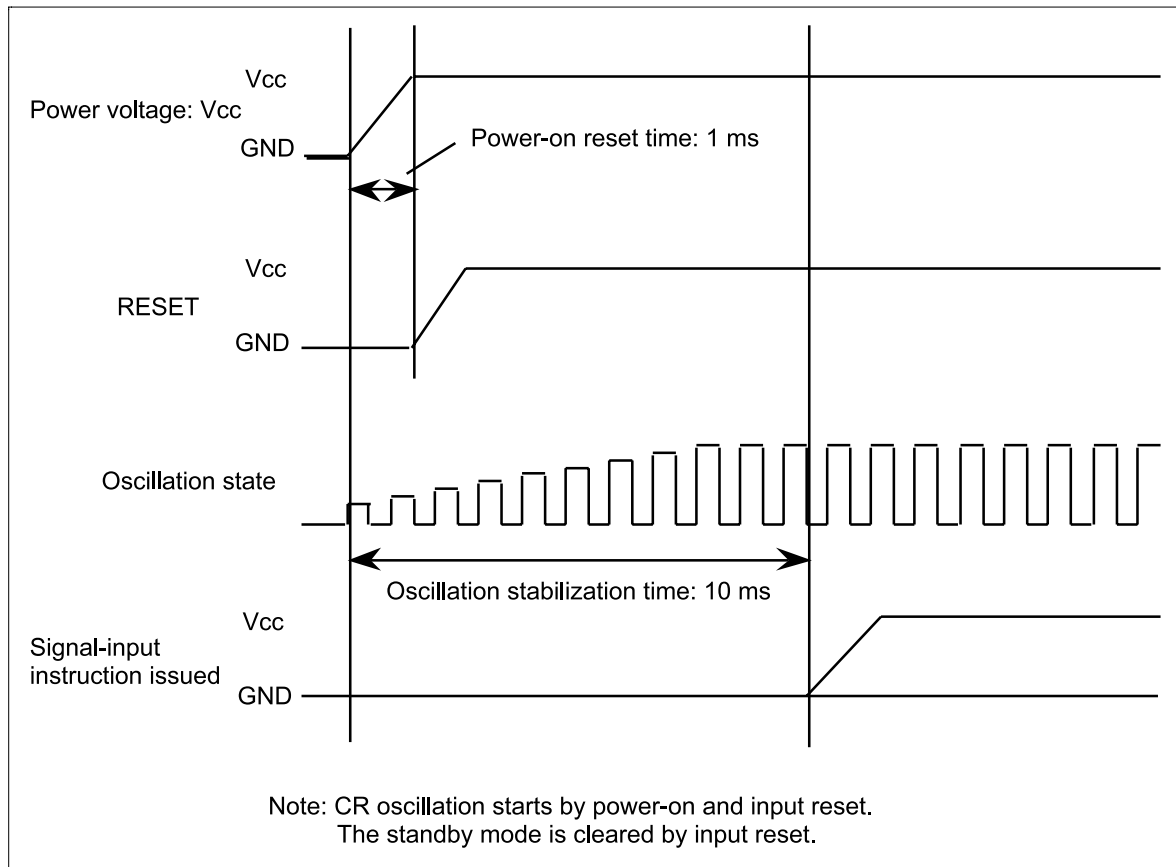


Figure 71 Power-on Timing

Power-off Sequence

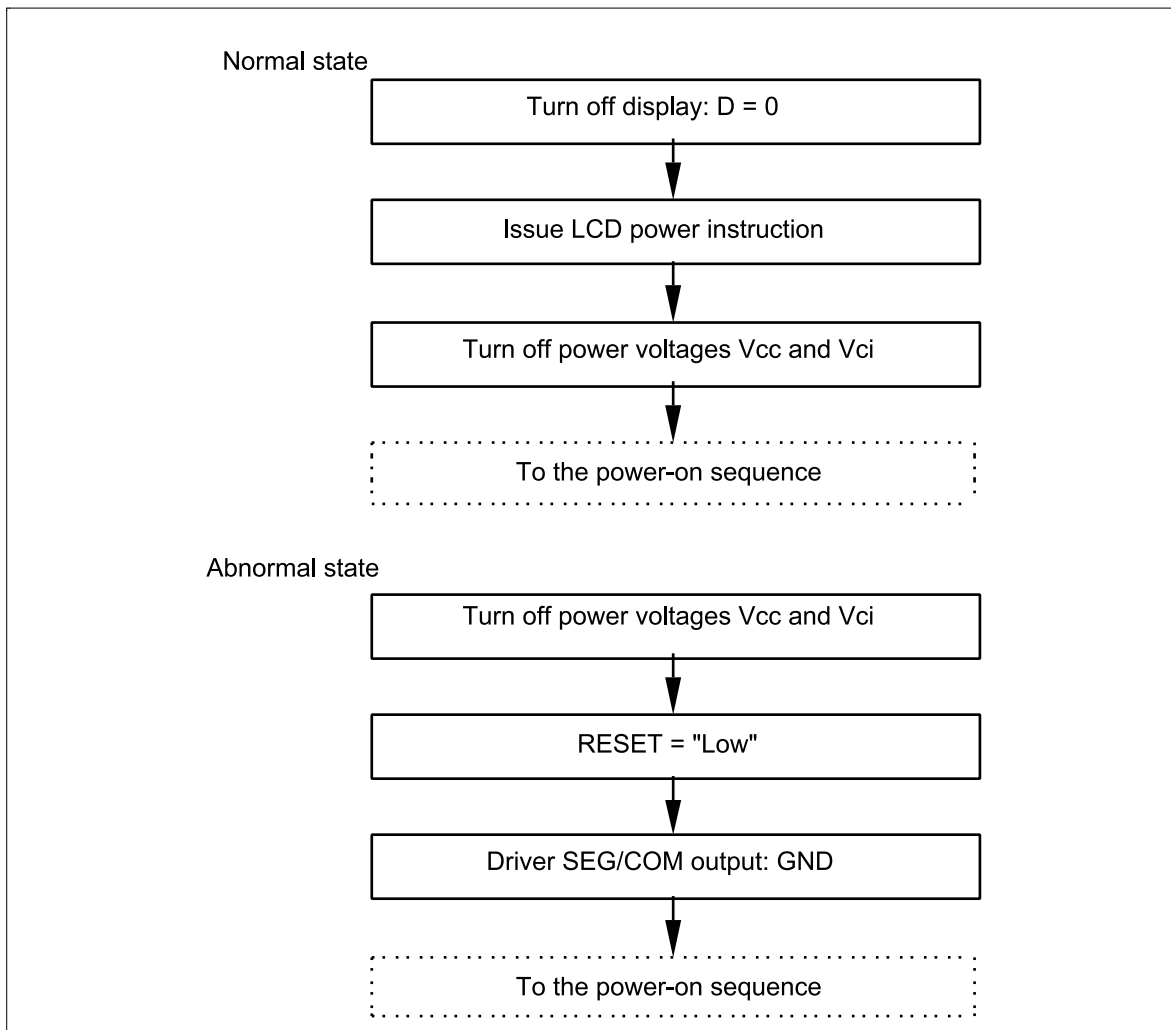


Figure 72 Power-off Sequence

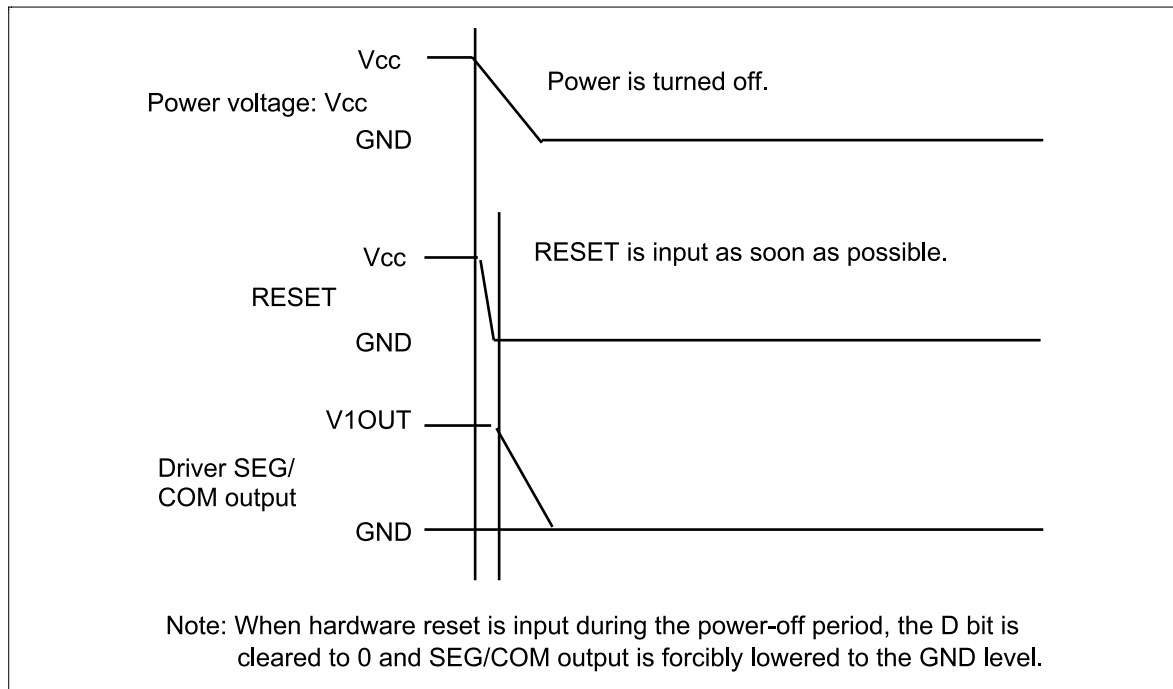


Figure 73 Power-off Timing

Modification history**Revision 0.1 (November, 2000)**

- First release

Revision 0.2 (January, 2001)

- Added I2C bus interface specification

HD66750S

When using this document, keep the following in mind:

1. This document may, wholly or partially, be subject to change without notice.
2. All right reserved: No one is permitted to reproduce or duplicated, in any form, the whole or part of this document without Hitachi's permission.
3. Hitachi will not be held responsible for any damage to the user that may result from accidents or any other reasons during operation of the user's unit according to this document.
4. Circuitry and other examples described herein are meant merely to indicate the characteristics and performance of Hitachi's semiconductor products. Hitachi assumes no responsibility for any intellectual property claims or other problems that may result from applications based on the examples described herein.
5. No license is granted by implication or otherwise under any patents or other rights of any third party of Hitachi, Ltd.
6. **MEDICAL APPLICATIONS:** Hitachi's products are not authorized for use in **MEDICAL APPLICATIONS** without the written consent of the appropriate officer of Hitachi's sales company. Such use includes, but is not limited to use in life support systems. Buyers of Hitachi's products are requested to notify the relevant Hitachi sales offices when planning to use the products in **MEDICAL APPLICATIONS**.