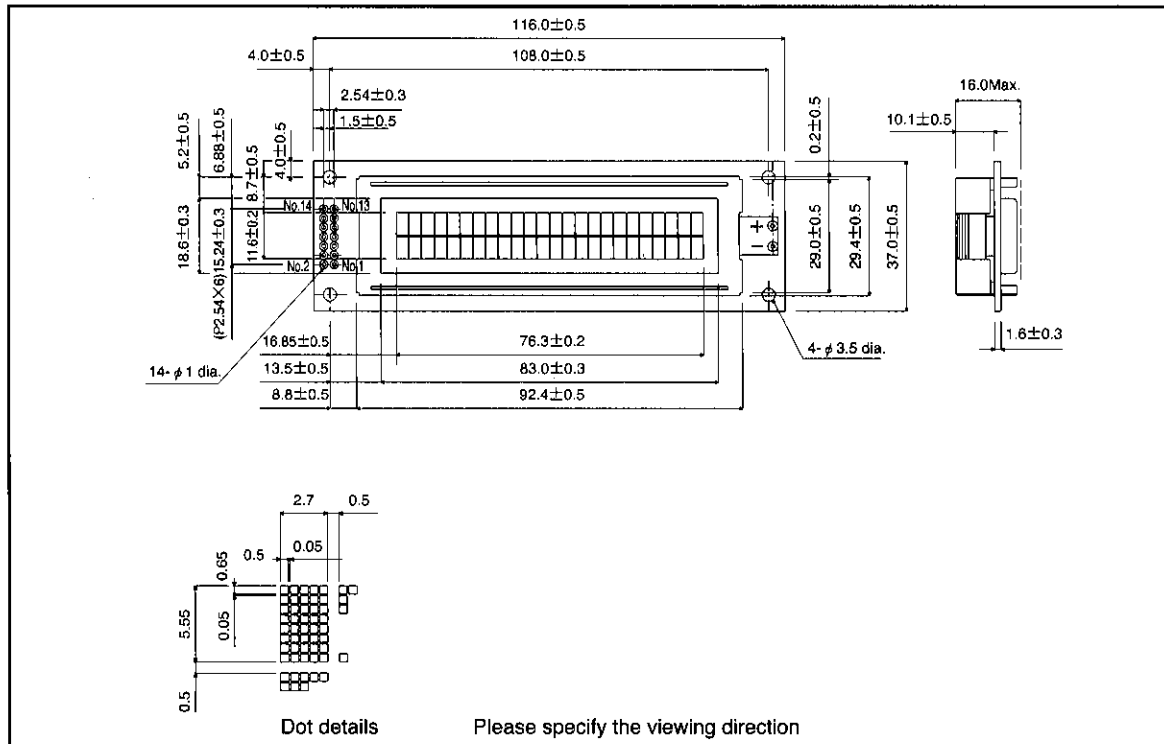


# 24 character × 2 lines transfective character module with LED backlight

## RCM2029M

The RCM2029M is a transfective TN type liquid crystal module with a yellow-green LED backlight, a built-in controller/driver LSI, and a display capacity of 24 characters × 2 lines.

●External dimensions (Unit: mm)



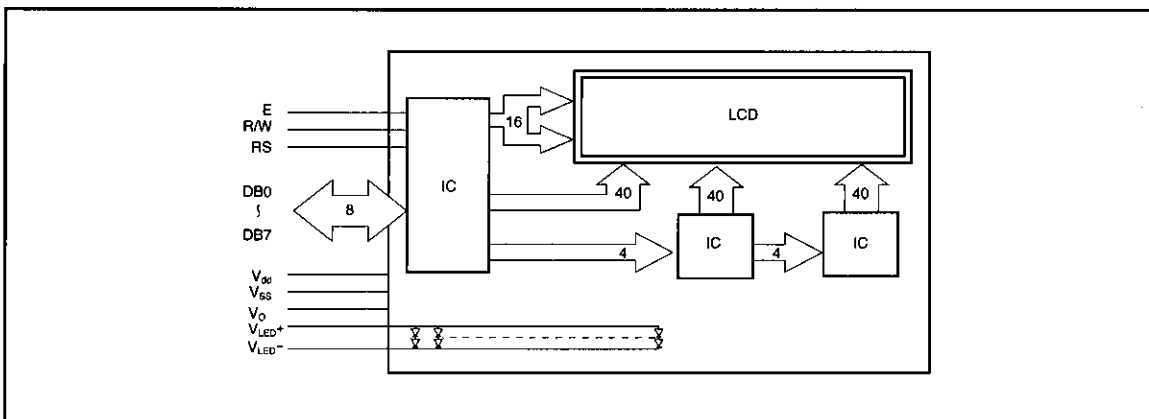
●Applications

Personal computers, word processors, facsimiles, telephones, etc.

●Features

- 1) Wide viewing angle and high contrast.
- 2) 5 × 7 dot character matrix with cursor.
- 3) Interfaces with 4-bit or 8-bit MPUs.
- 4) Displays up to 226 characters and special symbols.
- 5) Custom character patterns are displayed with the character RAM.
- 6) Abundant instruction set including clear display, cursor on/off, and character blinking.
- 7) Compact and light weight for easy assembly to the host instrument.
- 8) Operable on single 5 V power supply.
- 9) Low power consumption.
- 10) Built-in extremely thin LED backlight with minimal power consumption.

●Block diagram



●Pinout configuration

Pin no.	Signal	Pin no.	Signal
1	V <sub>SS</sub>	8	DB1
2	V <sub>dd</sub>	9	DB2
3	V <sub>O</sub>	10	DB3
4	RS	11	DB4
5	R/W	12	DB5
6	E	13	DB6
7	DB0	14	DB7

●Power supply example

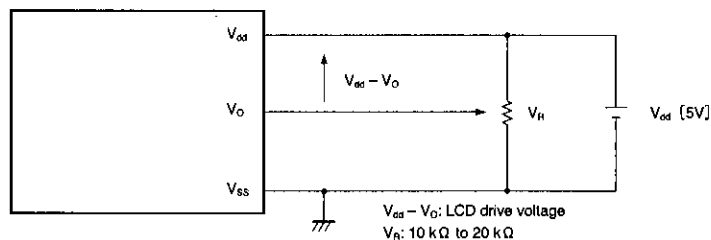


Fig.1

●Absolute maximum ratings (Ta = 25°C)

Parameter	Symbol	Min.	Typ.	Max.	Unit
Logic power supply voltage	V <sub>dd</sub> -V <sub>SS</sub>	0	—	6.5	V
LCD drive voltage	V <sub>dd</sub> -V <sub>O</sub>	0	—	6.5	V
Input voltage	V <sub>IN</sub>	V <sub>SS</sub>	—	V <sub>dd</sub>	V
Operating temperature range	Topr	0	—	50	°C
Storage temperature range	Tstg	-20	—	70	°C

24 character × 2 line

TN Character Modules

●Electrical characteristics ( $V_{dd} = 5.0\text{ V} \pm 0.25\text{ V}$ ,  $T_a = 25^\circ\text{C}$ )

Parameter	Symbol	Min.	Typ.	Max.	Unit	Conditions
High level input voltage	$V_{IH}$	2.0	—	$V_{dd}$	V	
Low level input voltage	$V_{IL}$	—	—	0.8	V	
High level output voltage	$V_{OH}$	2.4	—	—	V	$-I_{OH}=1.2\text{mA}$
Low level output voltage	$V_{OL}$	—	—	0.4	V	$I_{OL}=2.0\text{mA}$
Power supply current	$I_{DD}$	—	1.5	3	mA	$V_{dd}=5\text{V}$
LED forward current	$I_{LED}$	—	—	1.2	mA	$V_{LED}=-8\text{V}$
LED forward voltage	$V_{LED}$	3.8	4.1	4.4	V	$I_{LED}=120\text{mA}$

●Optical characteristics ( $T_a = 25^\circ\text{C}$ ,  $\phi = 0^\circ$ )

Parameter	Symbol	Min.	Typ.	Max.	Unit	Conditions
Rise time	$t_r$	—	100	250	ms	$\theta = 10^\circ$ , $\phi = 0^\circ$
Fall time	$t_d$	—	150	250	ms	$\theta = 10^\circ$ , $\phi = 0^\circ$
Contrast ratio	K	—	3	—	—	$\theta = 10^\circ$ , $\phi = 0^\circ$
Viewing angle	$\theta_1$	—	—	20	deg	$\phi = 0^\circ$ , $K \geq 1.4$
	$\theta_2$	40	—	—	deg	$\phi = 0^\circ$ , $K \geq 1.4$
	$\phi$	$\pm 30$	—	—	deg	$\theta_1 = 20^\circ$ , $K \geq 1.4$

(1) Definition of  $\theta$  and  $\phi$

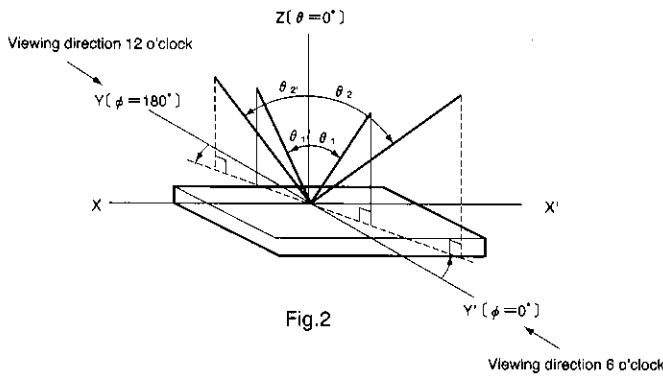


Fig.2

(2) Definition of viewing angles  $\theta_1$  and  $\theta_2$

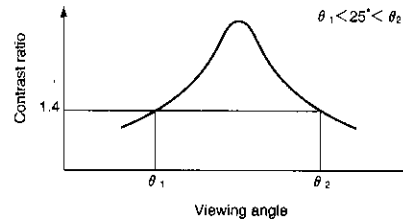


Fig.3

(3) Definition of contrast ratio "K"

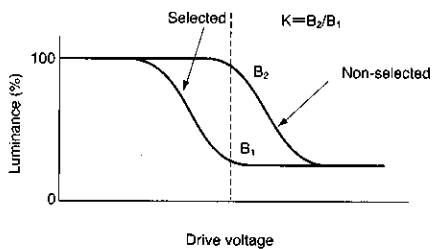


Fig.4

(4) Definition of optical response

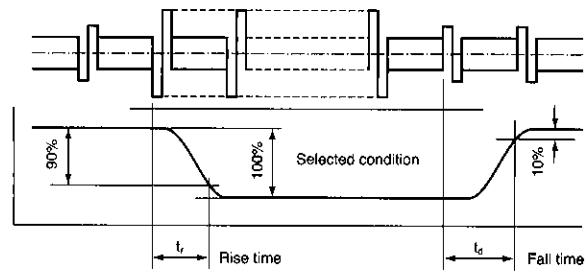


Fig.5

●Timing chart  
(1) Writing

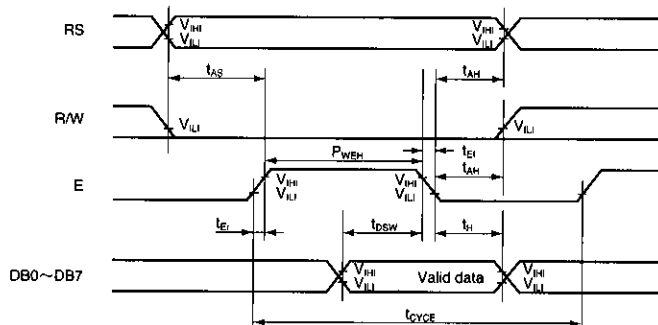


Fig. 6 During writing

Parameter	Symbol	Min.	Typ.	Max.	Unit	
Enable cycle time	$t_{CYCE}$	500	—	—	ns	Fig.6
Enable pulse time	$P_{WEH}$	220	—	—	ns	Fig.6
Enable rise and fall time	$t_{ER}, t_{EF}$	—	—	20	ns	Fig.6
Address setup time	$t_{AS}$	40	—	—	ns	Fig.6
Address hold time	$t_{AH}$	10	—	—	ns	Fig.6
Data setup time	$t_{DSW}$	60	—	—	ns	Fig.6
Data hold time	$t_H$	10	—	—	ns	Fig.6

(2) Reading

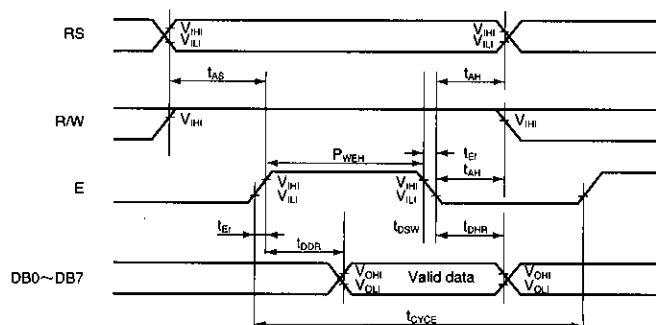


Fig. 7 During reading

24 character X 2 line

TN Character Modules

Parameter	Symbol	Min.	Typ.	Max.	Unit	
Enable cycle time	t <sub>CYCE</sub>	500	—	—	ns	Fig.7
Enable pulse time	P <sub>WEH</sub>	220	—	—	ns	Fig.7
Enable rise and fall time	t <sub>er</sub> , t <sub>ef</sub>	—	—	20	ns	Fig.7
Address setup time	t <sub>AS</sub>	40	—	—	ns	Fig.7
Address hold time	t <sub>AH</sub>	10	—	—	ns	Fig.7
Data delay time	t <sub>DDR</sub>	—	—	120	ns	Fig.7
Data hold time	t <sub>DHR</sub>	20	—	—	ns	Fig.7

● Pin functions

Symbol	Level	Input/output	Function
V <sub>SS</sub>	—	—	GND : 0V
V <sub>DD</sub>	—	—	5V
V <sub>O</sub>	—	—	
RS	H/L	Input	Register selection signal. 0: Instruction register (writing) Busy flag, address counter (reading) 1: Data register (reading/writing)
R/W	H/L	Input	Reading (R) and writing (W) selection signal. "0" : Writing MPU → LCD module "1" : Reading MPU ← LCD module
E	H,H→L	Input	Data reading and writing start signal.
DB0 } DB3	H/L	Input/output	The lower 4 line data buses are bi-directional and used for data transfer between the MPU and the module. They are not used during 4-bit operation.
DB4 } DB7	H/L	Input/output	The upper 4 line data buses are bi-directional and used for data transfer between the MPU and the module. DB7 can also be used as a busy flag.

Note: In order to be able to interface with 4-bit or 8-bit MPUs, the module supports data transfer with two transmissions of 4 bits at a time or one transmission of 8 bits at once.

- (1) When the interface data length is 4 bits, data is transferred along DB4 through DB7 buses and DB0 through DB3 buses are not used. Data transfer is completed after two transfers of 4 bit data. First the upper nibble (contents of DB4 through DB7 during 8-bit interfacing) is transferred and then the lower nibble (contents of DB0 through DB3 during 8-bit interfacing) is transferred.
- (2) When the interface data length is 8 bits, the data DB0 through DB7 is transferred along the eight data buses.

## ● Instructions

Instruction	Code											Description	Execution time f <sub>CP</sub> =250kHz
	RS	R/W	DB7	DB6	DB5	DB4	DB3	DB2	DB1	DB0			
Clear display	0	0	0	0	0	0	0	0	0	0	1	Clears display and sets address 0 of DD RAM to address counter.	1.64ms
Home cursor	0	0	0	0	0	0	0	0	0	1	*	Sets address 0 of DD RAM to address counter and returns a shifted display to original position. The contents of DD RAM are unchanged.	1.64ms
Entry mode set	0	0	0	0	0	0	0	1	I/D	S		Sets the cursor move direction and specifies whether or not to shift display. This operation occurs when reading or writing data.	40 μs
Display on/off control	0	0	0	0	0	0	1	D	C	B		Turns display on or off [D], turns cursor on or off [C], or blinks the character at the cursor position [B].	40 μs
Cursor/display shift	0	0	0	0	0	1	S/C	R/L	*	*		Moves cursor or shifts display without changing the DD RAM.	40 μs
Function set	0	0	0	0	1	DL	N	F	*	*		Sets the interface data length [DL], number of lines displayed [N], and character font [F].	40 μs
CG RAM address set	0	0	0	1	A <sub>CG</sub>						Sets the CG RAM address. Data received after this is CG RAM data.	40 μs	
DD RAM address set	0	0	1	A <sub>DD</sub>						Sets the DD RAM address. Data received after this is DD RAM data.	40 μs		
Read busy flag address	0	1	BF	AC						Reads the busy flag signifying internal operations in progress and reads the contents of the address counter.	0 μs		
Write data to CG or DD RAM	1	0	Write Data						Data is written from the DD RAM or CG RAM.	46 μs			
Read data from CG or DD RAM	1	1	Read Data						Data is read to DD RAM or CG RAM.	46 μs			
	I/D = 1: Increment I/D = 0: Decrement S = 1: Accompanies display shift S/C = 1: Display shift S/C = 0: Cursor movement R/L = 1: Right shift R/L = 0: Left shift DL = 1: 8 bit DL = 0: 4 bit N = 1: 2 lines N = 0: 1 line F = 1: 5 × 10 dots F = 0: 5 × 7 dots BF = 1: Internal operation in progress BF = 0: Instructions can be received											DD RAM: Display data RAM CG RAM: Character generator RAM A <sub>CG</sub> : CG RAM address A <sub>DD</sub> : DD RAM address (corresponds to cursor address) AC: Address counter used for both DD and CG RAM.	Execution times will vary with frequency.

(Note) \* = Invalid

24 character X 2 line

TN Character Modules

● Character code and corresponding character pattern

Higher 4 bit \ Lower 4 bit	0000	0001	0010	0011	0100	0101	0110	0111	1000	1001	1010	1011	1100	1101	1110	1111
XXXX0000	CGRAM (0)															
XXXX0001	(1)															
XXXX0010	(2)															
XXXX0011	(3)															
XXXX0100	(4)															
XXXX0101	(5)															
XXXX0110	(6)															
XXXX0111	(7)															
XXXX1000	(0)															
XXXX1001	(1)															
XXXX1010	(2)															
XXXX1011	(3)															
XXXX1100	(4)															
XXXX1101	(5)															
XXXX1110	(6)															
XXXX1111	(7)															

### ● Reset function

When you turn the power supply on using the internal reset circuit, the module automatically returns to its initial (reset) settings. At the initial settings, the following instructions are carried out.

#### (1) Clear display

The busy flag remains in the busy condition (BF = 1) until initialization is completed. This takes 15 ms.

#### (2) Function set

DL = 1 : 8-bit interface data length

N = 0 : One line display

F = 0 : 5 × 7 dot matrix

#### (3) Display on/off control

D = 0 : Display off

C = 0 : Cursor off

B = 0 : Blinking off

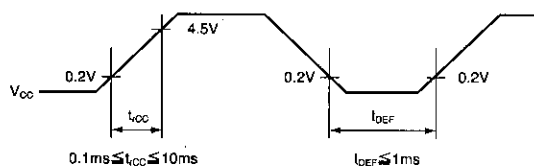
#### (4) Entry mode set

1/D = 1 : +1 (increment)

S = 0 : No shift

#### (5) Select DD RAM

Depending on the power supply's rise and fall times when it is turned on, there may be times when the initialization cannot be completed. Therefore, be aware of the following timing relationship.



$t_{OFF}$  regulates the power supply breaks, or on and off times.

Note) When the above power supply conditions are not met, the internal reset circuit will not operate properly.

## Notes

- The contents described in this catalogue are correct as of March 1997.
- No unauthorized transmission or reproduction of this book, either in whole or in part, is permitted.
- The contents of this book are subject to change without notice. Always verify before use that the contents are the latest specifications. If, by any chance, a defect should arise in the equipment as a result of use without verification of the specifications, ROHM CO., LTD., can bear no responsibility whatsoever.
- Application circuit diagrams and circuit constants contained in this data book are shown as examples of standard use and operation. When designing for mass production, please pay careful attention to peripheral conditions.
- Any and all data, including, but not limited to application circuit diagrams, information, and various data, described in this catalogue are intended only as illustrations of such devices and not as the specifications for such devices. ROHM CO., LTD., disclaims any warranty that any use of such device shall be free from infringement of any third party's intellectual property rights or other proprietary rights, and further, assumes absolutely no liability in the event of any such infringement, or arising from or connected with or related to the use of such devices.
- Upon the sale of any such devices; other than for the buyer's right to use such devices itself, resell or otherwise dispose of the same; no express or implied right or license to practice or commercially exploit any intellectual property rights or other proprietary rights owned or controlled by ROHM CO., LTD., is granted to any such buyer.

The products listed in this catalogue are designed to be used with ordinary electronic equipment or devices (such as audio-visual equipment, office-automation equipment, communications devices, electrical appliances, and electronic toys). Should you intend to use these products with equipment or devices which require an extremely high level of reliability and the malfunction of which would directly endanger human life (such as medical instruments, transportation equipment, aerospace machinery, nuclear-reactor controllers, fuel controllers, or other safety devices) please be sure to consult with our sales representatives in advance.

- Notes when exporting
  - It is essential to obtain export permission when exporting any of the above products when it falls under the category of strategic material (or labor) as determined by foreign exchange or foreign trade control laws.
  - Please be sure to consult with our sales representatives to ascertain whether any product is classified as a strategic material.